

## NEXT Top Milk

*Super Automatic Espresso Machine with Countertop Fridge*

The NEXT Top Milk is controlled by a 10.1" HD tablet interface, with a flexible and customizable operating system powered by Android™. Two self-adjusting grinders make precise adjustments to the grind setting for consistent taste and volume in each cup, on each machine, and at each location. The NEXT Fridge allows for top-quality milk drinks to be dispensed automatically. The NEXT is made of stainless steel and ABS plastic and features an easy 3-step automatic daily cleaning program.



### Standard Features

- Super automatic with app-controlled user interface
- HD tablet interface powered by Android™
- Single milk pump system
- Dual Ditting® self-adjusting grinders automatically adjust grind size to compensate for environmental changes
- NEXT countertop fridge (6.5L/1.7 gal) fits perfectly on the left side of the machine
- Americano bypass enables the machine to deliver authentic Americanos into a single cup
- Lowest cost of ownership of any fully automatic
- Premium espresso brewing
- Centralized hot water
- Patented stainless steel 18-gram brew group
- Made of stainless steel and ABS plastic
- 2-year parts warranty

### Accessories in the Box

- Plastic grounds bin container
- One-month supply of daily cleaning products
- Milk container
- Container for daily cleaning
- User manual
- Foot extensions

### Fridge Features

Fits next to the machine or undercounter, and automatically pumps milk into the machine. Includes a milk container that maximizes milk storage capacity and contains a milk level sensor.

### Options

**iSteam:** Intelligent steam wand automatically froths or steams milk, and shuts off at programmed temperature

**Automatic Spout+:** Automatically adjusts the dispensing spout to the correct cup size

**Under Counter Grounds Chute:** Chute that diverts ground coffee to under the counter waste container (not available when fridge is installed directly under the machine)

**External Hot Water Outlet:** Hot water delivered through a separate outlet to the right of the drink spout

**Self-Service Package:** Includes locks for hopper, grounds drawer, and fridge, as well as cup stopper pins for the drink tray

**Powder Module:** Enables machine to deliver up to 2 types of powder, such as chocolate for mochas and for hot chocolate (not available w/ Cool Coffee Module)

**Cool Coffee Module:** Rapidly cools coffee after brewing for the best quality iced beverages (not available w/ Powder Module)

**BC22:** High-capacity 25-gram brew chamber allows for extra-large coffee drinks to be prepared in a single brew cycle

**Multi-Milk:** Add to any fridge configuration to deliver two types of milk

**Cold Milk Foam:** Delivers amazingly stable cold foam for unique drinks (not available with Multi-Milk or any undercounter configuration)

### Space Requirements

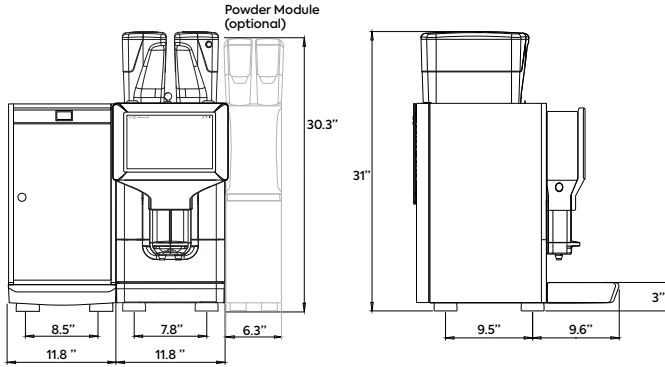
Allow at least one and a half inches (1.5") of clearance from the back of the machine to the nearest wall for air circulation.

Allow at least four inches (4") of clearance above hoppers to refill. (recommended 12")

Allow 24" x 5" for in-line filter. Filter can be mounted behind the machine or under the counter.

## NEXT Top Milk

Super Automatic Espresso Machine with Countertop Fridge



### Countertop Requirements

#### Espresso Machine w/ Fridge

Width	Depth	Height	Weight
24"	23"	31"	190 lbs

#### Espresso Machine w/ Fridge and Powder Module

Width	Depth	Height	Weight
30"	23"	31"	218 lbs

### Shipping Dimensions and Weight

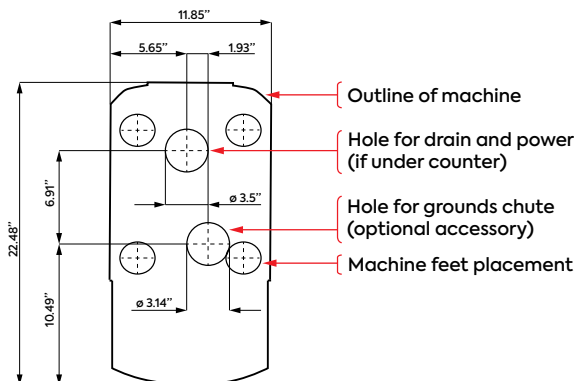
#### Espresso Machine w/ Fridge

Length	Width	Height	Weight
36"	36"	33"	235 lbs

#### Espresso Machine w/ Fridge and Powder Module

Length	Width	Height	Weight
48"	40"	32"	300 lbs

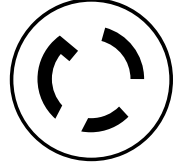
### Countertop Drilling Plan



### Electrical Connections

#### Espresso Machine

- Voltage Range: 208-240VAC
- Power: 6000W
- Circuit Size: 30A
- Suggest Receptacle: NEMA L6-30R



#### Countertop Fridge/Powder Module (optional)

- Voltage Range: 110-120VAC
- Power: 200W
- Circuit Size: 15A
- Suggest Receptacle: 5-15R GFI

**NOTE:** Egro machines do not use a neutral line. A dedicated ground wire is required.

Power can be installed under or above the counter. Please allow 3.5"-4" of space for the plug, especially when placing power above the counter and behind the machine.

### Water Connections

Dedicated cold water access line with standard female 3/8" NPT fitting and manual shut-off valve within 4' of the machine required.

### Drain Requirements

Open gravity drain with minimum 2" I.D. within 4' of the machine.

### Water Quality Statement

The fact that water is potable is no guarantee that it is suitable for coffee machines. Your water supply must be within these general guidelines:

- SUPPLY PRESSURE: 30-70 psi
- HARDNESS: 2-3 GPG (1 grain of hardness = 17.1 ppm)

Water entering the machine should have a water hardness level of 2-3 GPG at all times. If the water supply is not within this range, a dedicated water softener (if above 3 GPG) or mineral addition cartridge (if below 2 GPG) is required for the coffee machine to operate properly over time (see Rancilio Group North America Water Quality Statement for further details).

Android is a registered trademark of Google LLC.

Ditting is a registered trademark of Ditting Maschinen AG.

