



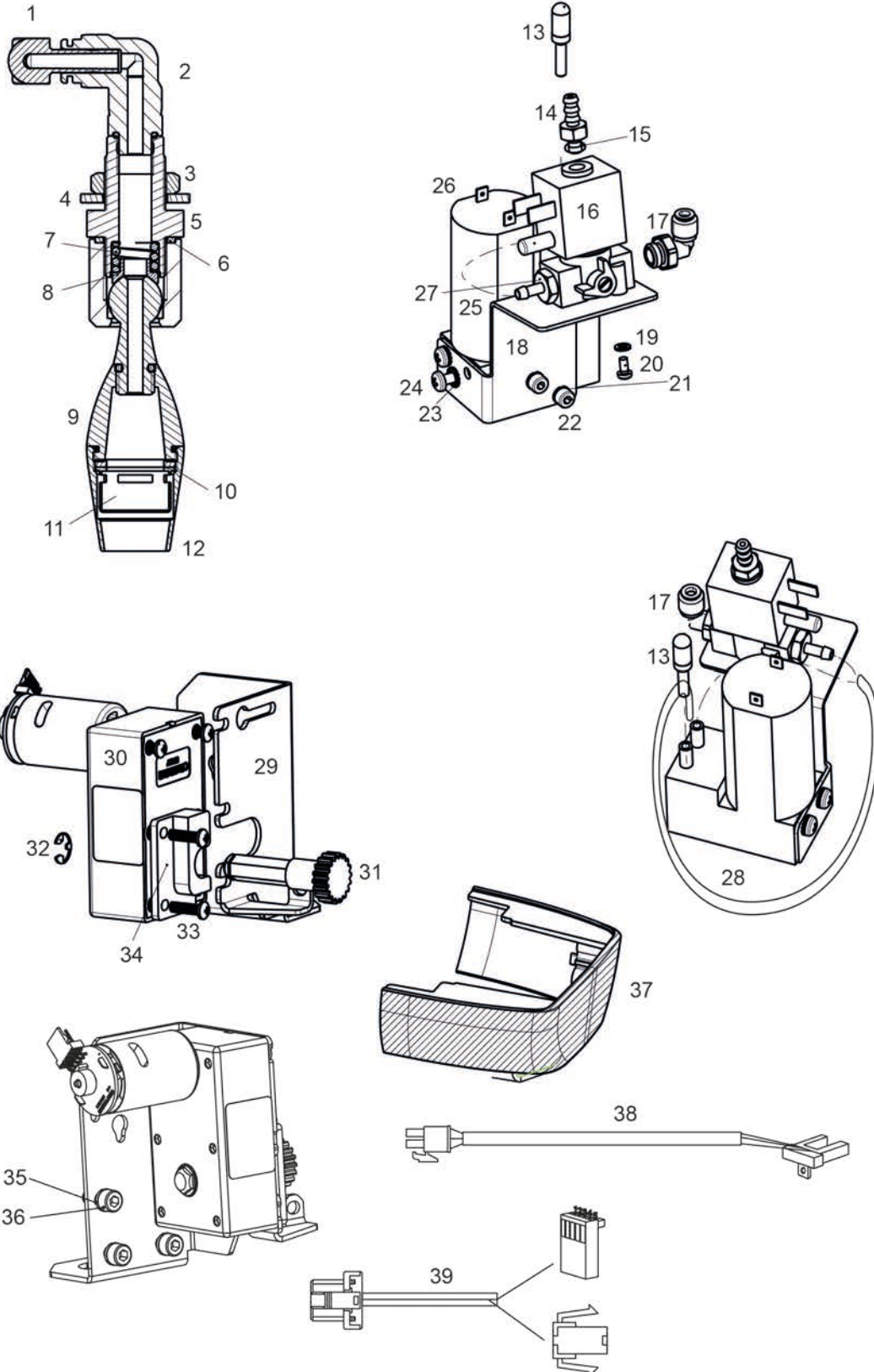
# EGRO ONE PURE COFFEE (NMS)



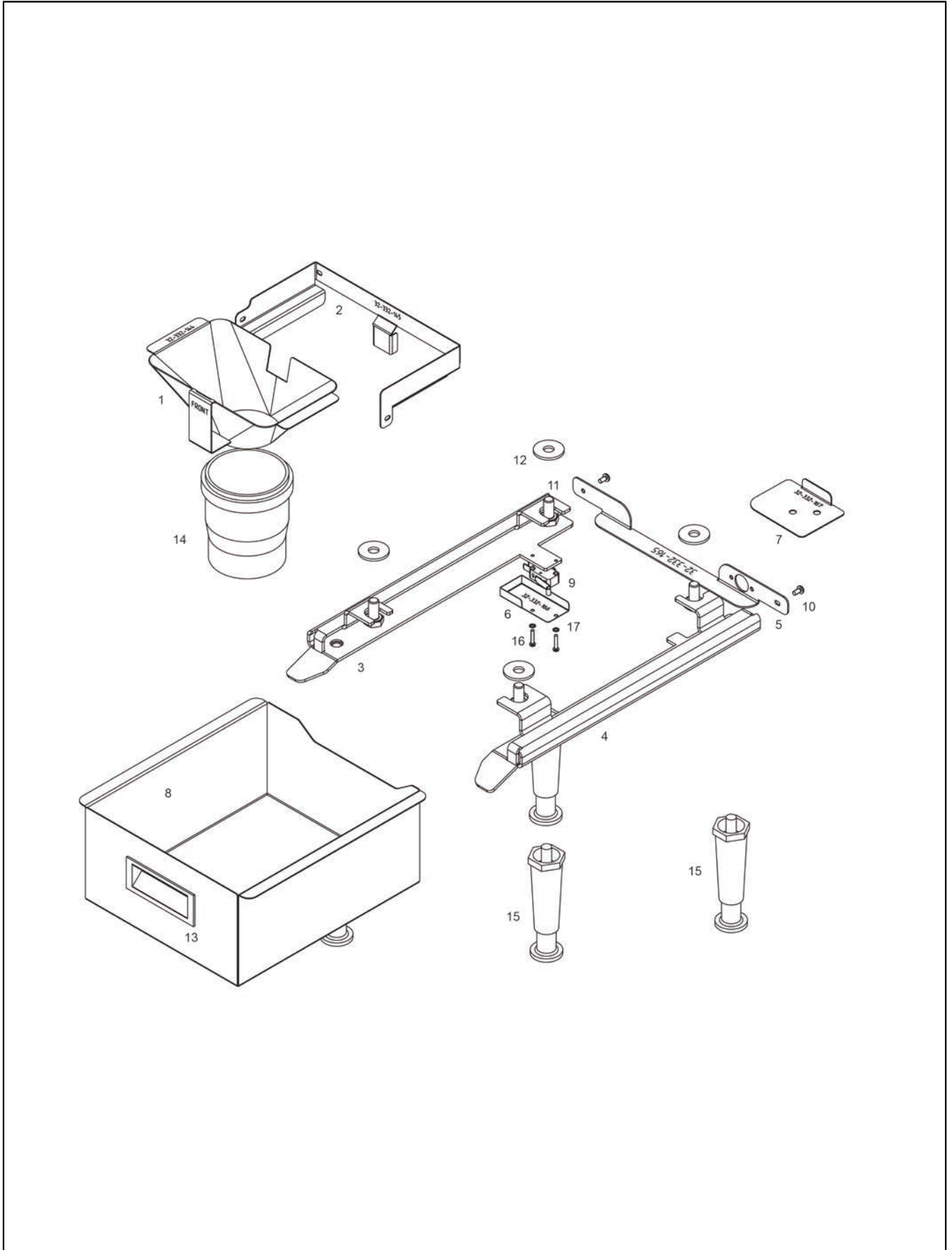
EGRO ONE

Table 1001_04 - AS Automatic spout option.....	4
Table 1010 - GUM grounds drawer under machine.....	6
Table 1000 - Housing.....	8
Table 1001_02 - Front Panel from S/N.....	12
Table 2001_02 - Water/Steam Lines from S/N 1207595.....	14
Table 2000_03 - Coffee line from S/N 12009304 (DHE boiler).....	16
Table 2005 - Bean Hopper-Grinders.....	20
Table 2002_02 - Coffee Brewing Group (BC18) from S/N 12009467 .....	22
Table 2004 - Water spout.....	26
Table 2003 - Clever Steam Tap .....	28
Table 2010 - Steam Boiler-Steam Valve Block PURE COFFEE.....	30
Table 2007_02 - Water Inlet System from S/N 12007595.....	32
Table 3000_03 - Electronic Board 2 Gen.....	36
Table 3000_02 - ELECTRIC/ELECTRONIC PART FROM S/N.....	38
Table 3001 - CPU Board Connections.....	40
Table 4000 - ISTEAM ONE.....	42
Alphanumeric index.....	44

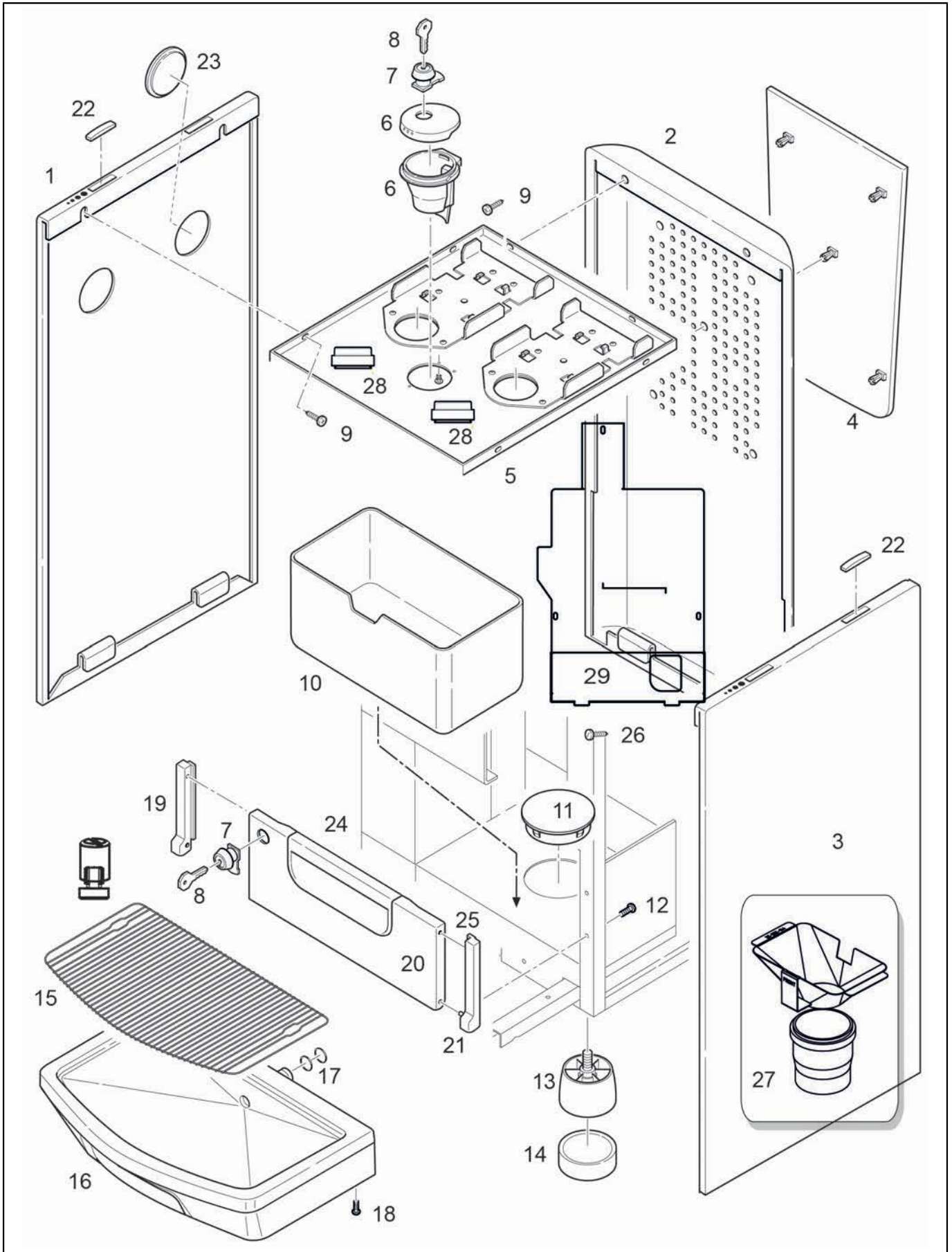
AS automatic spout option



POS.	CODE	DESCRIPTION	NOTES
1	69200130	ELBOW CONNECTOR 6X6	
2	69200140	ELBOW CONNECTOR 6 x G1/8 PPSU	
3	26220005	FLAT NUT 3/8	
4	37431600	OUTER TOOTHED WASHER D16	
5	23000332	RIGHT WATER WAND CONNECTION ONE AS	
6	36220009	GASKET NUT NOTE TEFLON	
7	39110038	SPRING CONNECTION STEAM TAP	
8	36930016	GASKET TEFLON CONNECTION STEAM WAND	
9	10049014	WATER OUTLET	
	36404022	O-RING 6,4 X 1,9 R5A	
10	36301040	O-RING FILTER JET BREAKER	
11	25135019	Mixing nozzle	
12	25135017	upperPart Water SPRAYER	
13	69150018	Filter Airpump NMS	
14	23000277	FLOW LIMITER D. 3MM CONNECTION M5 X 6	
15	36404056	O-RING 3,68X1,78 EPDM 70SH NSF TEFLON 2015	
16	34040158	Valve 3/2 24V 5.5W	
17	69200147	ELBOW CONNECTOR 4 X G1/8 PPSU SMALL	
18	32332077	AIR PUMP BRACKET AS	
19	37420300	ELASTIC WASHER 3 X 0,8	
20	00001062	RAISED CHEESE HEAD SCREW M3 X 6 MM	
21	37420401	ELASTIC WASHER DIAM.4	
22	00100001.208	SCREW M4X8 TCEI INOX	
23	37430400	TOOTHED WASHER D4	
24	00001069	SCREW TCB CROSS PH INOX M4X6	
25	34011038A	AIR PUMP 24VDC/16	
26	34200358	COPRIPUNTALE D.4.8 L.13	
27	00054938	THREADED MALE NIPPLE WITH WASHER 1/8 AND GASKET	
28	00049209	SILICON HOSE D. 7,0 X 3,0 MM	
29	32332038	AS MOTOR BRACKET	
30	34010014	ENCODER MOTOR 24V AS	
31	36990083	GEAR WHEEL WITH SHAFT	
32	37510600	SNAP RING D. 6	
33	37155012	SCREW 4 X 14 TCB PH	
34	38120317	GEAR BEARING HOLDER	
35	37420501	ELASTIC WASHER DIAM.5	
36	00000932	HEX SOCKET HEAD SCREW M5 X 12 MM	
37	38120589	AESTHETIC PROTECTION OUTLET ONE AS	
38	34070313	SENSOR AS SLIDER	
39	10110961	WIRING AS	

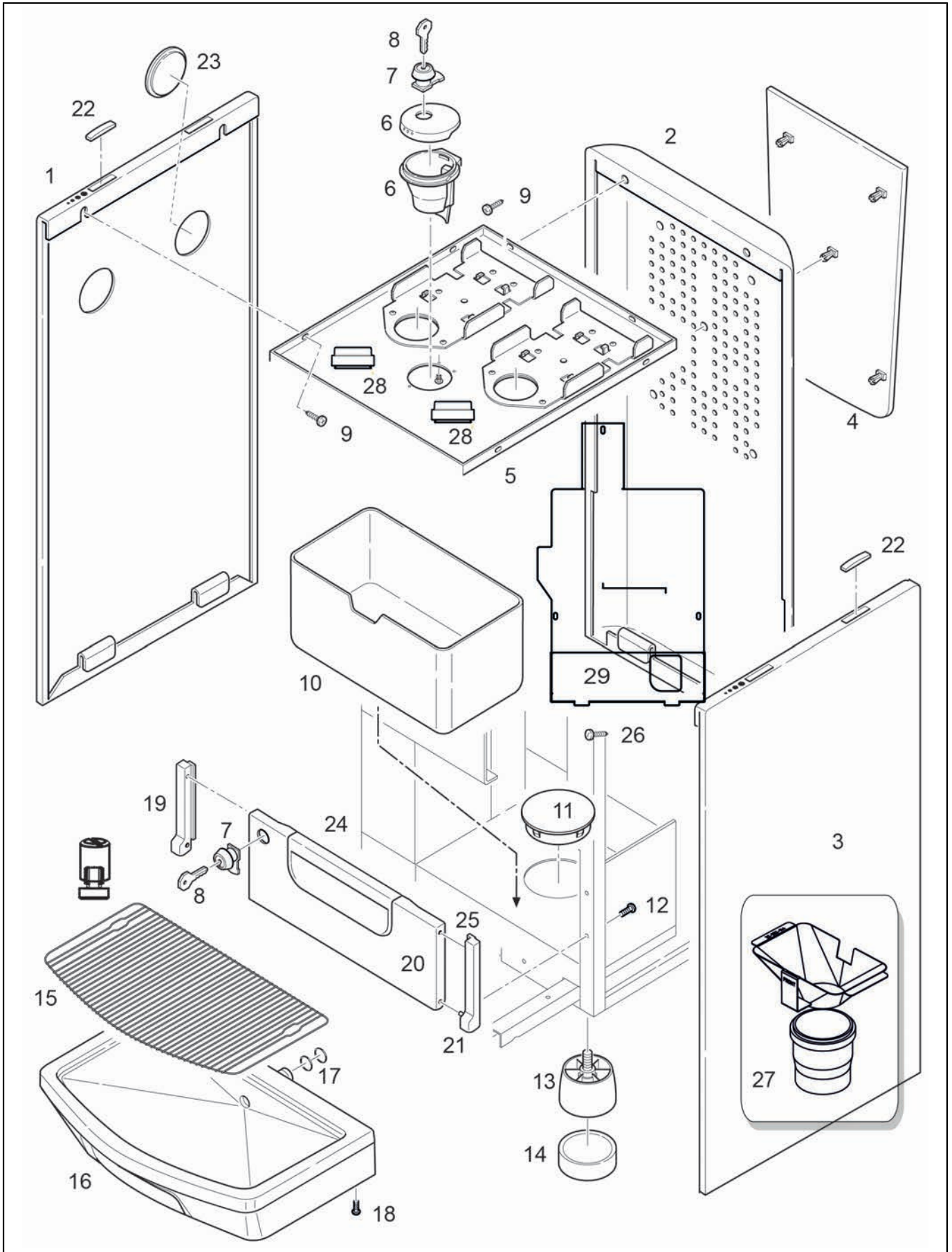


POS.	CODE	DESCRIPTION	NOTES
1	10701395	RETROFIT KIT GUM	
	32332144	IMBUTO SCARICO FONDI CAFFE'ONE/2016-AI-	
2	32332145	SUPPORTO IMBUTO SCARICO FONDI CAFFE'ONE/2016-AI-	
3	32332163	SUPPORTO CASSETTO FONDI SX ONE/BYO-AI-	
4	32332164	SUPPORTO CASSETTO FONDI DX ONE/BYO-AI-	
5	32332165	SUPPORTO CAVO/TUBO CASSETTO FONDI ONE/BYO-AI-	
6	32332166	SWITCH SAFETY COVER	
7	32332167	COPERTURA DI SICUREZZA ELETTRICA ONE/BYO-AI-	
8	32332168	CASSETTO FONDI SOTTO MACCHINA ONE/BYO-AI-	
9	34100021	MICRO SWITCH	
10	37030408	SCREW M 4 X 8	
11	37041020	VITE M10X20 TE INOX U5739	
12	37410303	RONDELLA PIANA 10,5X30X2,5 FEZN	
13	38120054	MANIGLIA CASSETTO FONDI ESTERNO-PL-	
14	38910003	DRAIN PIPE COFFEE 75X100MM	
15	69000174	MACHINE FOOT HIGH	
16	00001065	RAISED CHEESE HEAD SCREW M3 X 16 MM	
17	00030494	LOCK WASHERM3	

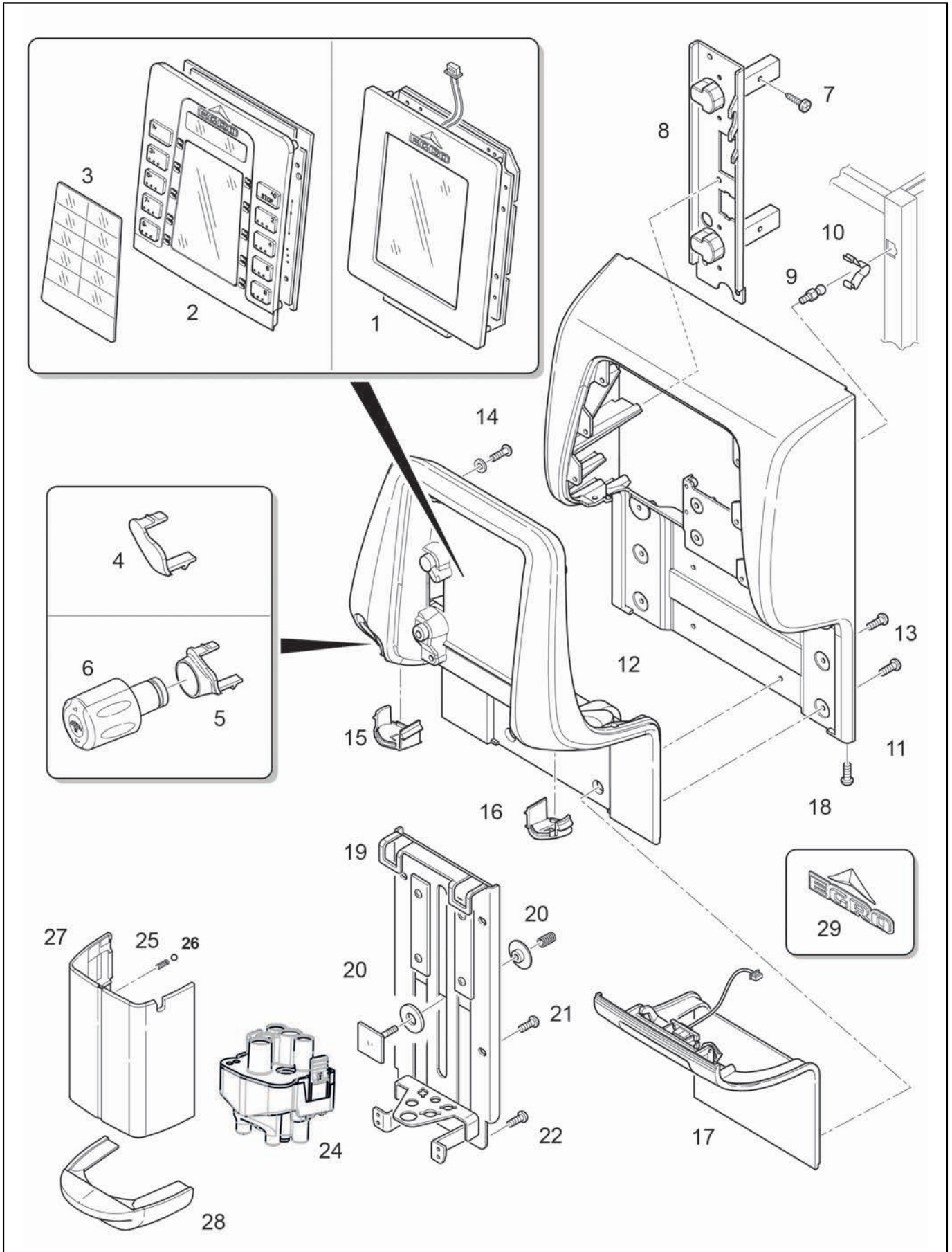




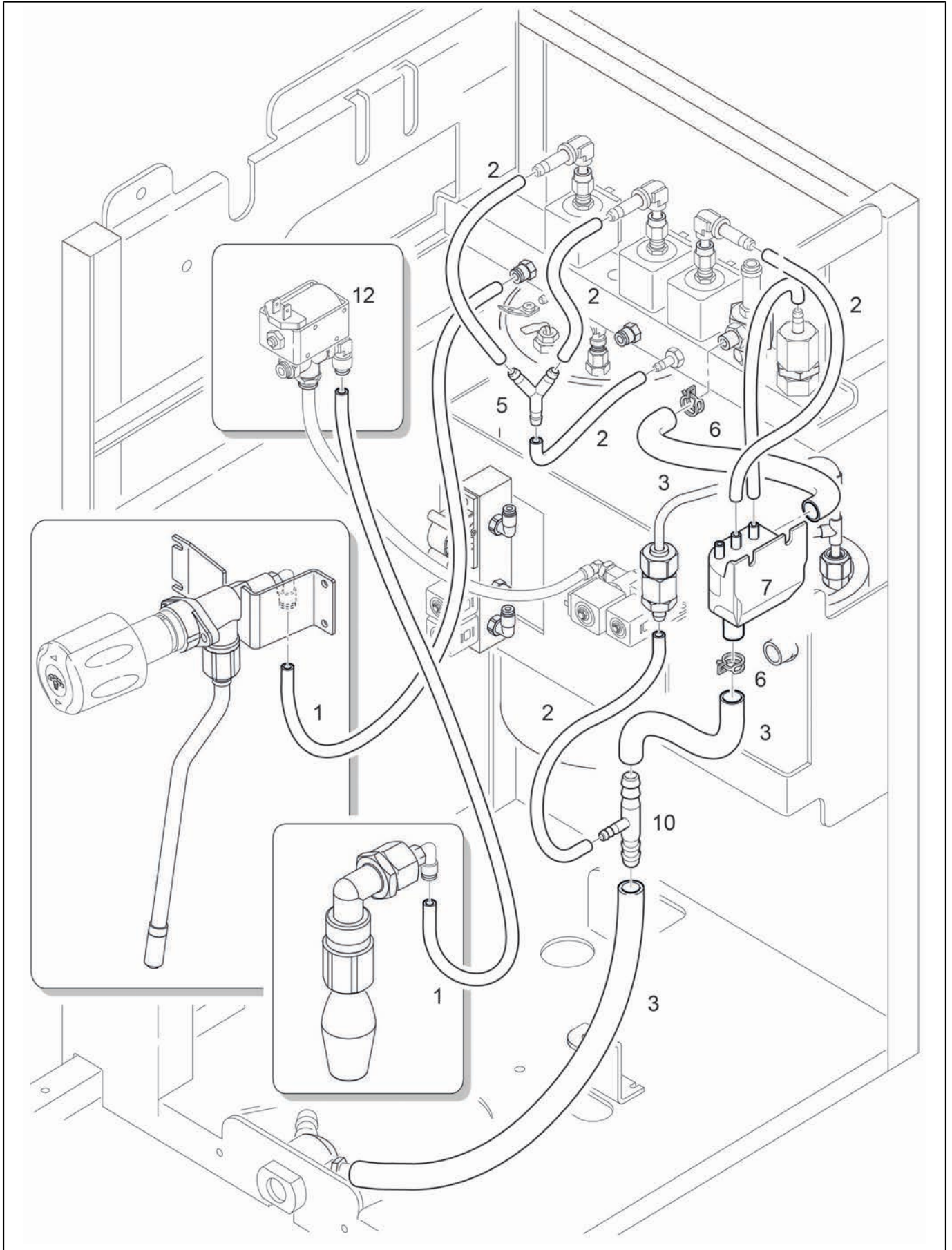
POS.	CODE	DESCRIPTION	NOTES
1	10705966	KIT SIDE PANEL GREY WITH CAPS	
	10705968	KIT SIDE PANEL GREY WITH HOLES AND CAPS	
2	32551057	REAR PANEL	
	32551057A	REAR PANEL CUPHEATER-FRIDGE BLACK ONE	
3	10705966	KIT SIDE PANEL GREY WITH CAPS	
	10705979	KIT SIDE PANEL RIGHT WITH CAPS POWD. MOD.	
4	38120163	EGRO ONE SHIELD	
	45010208	Sticker "EGRO LOGO", small	
	45010209	Sticker "EGRO LOGO", big	
5	10705706	TOP LID 2 GRINDERS	
	10705717	TOP LID 1 GRINDER	
	38221007	CAP DIAM.11	
6	10705707	COVER FOR POWDER COFFEE INLET WITHOUT LOCK	
	10705708	COFFEE POWDER INLET SELF ASSY	
7	10705528	RONIS LOCK	
8	10705529	LOCK ASSAY. RONIS M15X17,5 WITH HOOK 25.5MM	
	69000336	LOCK 90 17 X 16	
	69000338	SERIAL KEY COD 1000	
9	00046844	SCREW M4 X 8 MM	
10	38120121	COFFEE WASTE DRAWER	
11	38221017	CAP D. 54 MM	
	38221018	CAP D. 85.7 MM	
12	37030309	SCREW M 3 X 6 TFL PH	
13	38123568	MACHINE FOOT	
14	38123852	RISER FOR MACHINE FOOT	
15	00054649	SPACER PIN TO DRIP GRID M 8 X 15 MM	
	00055557	CUP GUIDE SET	
	10701413	KIT CUP HOLDER ONE	
	10781311	DRAIN TRAY GRID	
16	00046069	CROSSED RAISED CHEESE HEAD SCREW 4 X 14 MM	
	10705801	DRAIN TRAY	
	38120072	WASTE DRAIN TRAY INSERT ONE	
	38120318	DRAIN TRAY LOGO BYO	
17	00002240	O-RING 14 X 1,78 EPDM 70SH	
	36405002	O-RING EPDM 70SH 3050 GRAY	
18	00046069	CROSSED RAISED CHEESE HEAD SCREW 4 X 14 MM	
	39920015	CLAMP	
19	00100997.001	BAR LEFT	
	38903002	BOCCOLA PERNO SPORTELLO FONDI	
	69200072	PRESSORE D.6 ONE	
20	00100986.001	DRAWER DOOR WITH LOCK	
	00100987.001	DRAWER DOOR ASSY	
	32331419	WASTE BIN DOOR ONE	
	37040412	SCREW M4 X 10 TSP PH	
21	00100996.001	BAR RIGHT	
	23000136	COFFEE WASTE DRAWER HINGE	
	37510320	SNAP RING D. 3.2	
	69200072	PRESSORE D.6 ONE	
22	38120126	CAP SIDE PANEL ONE	
23	36901951	CAP FOR SIDE PANEL HOLES	
24	37320603	GROUP FIXING CAGE NUT M4	
	37370301	NUT M3 INOX	
	38120097	Drawer handle	
25	10700997	KIT GROUNDS DRAWER BLOCK	



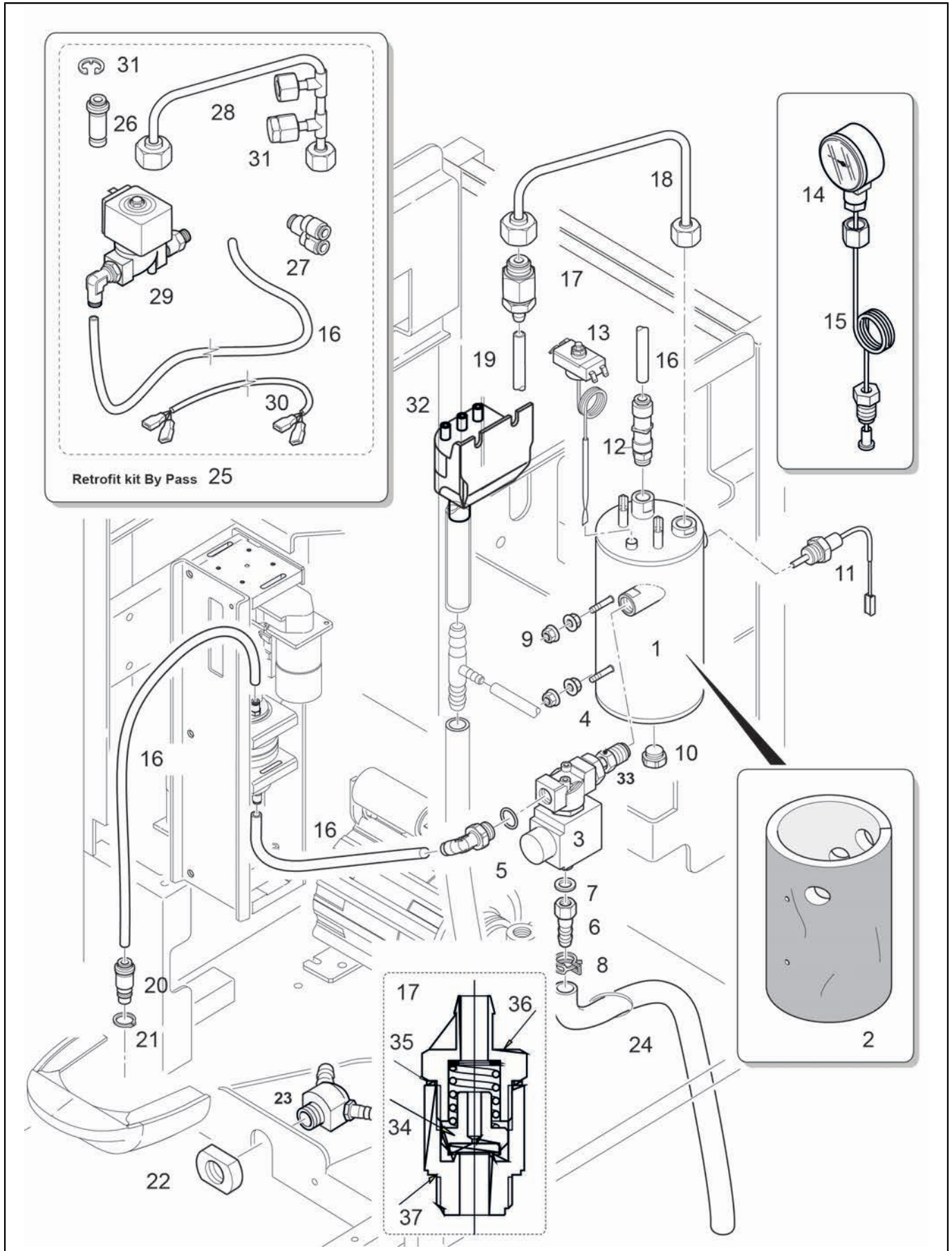
POS.	CODE	DESCRIPTION	NOTES
26	32331435	C-BRACKET FOR CONNECTING WITH ADD-ONS	
	37040410	SCREW M 4 X 10	
	37320603	GROUP FIXING CAGE NUT M4	
27	10701527	KIT DIRECT GROUNDS FUNNEL 2018	
28	36990025	SEAL (COLLAR) / GRINDER	
29	32331698	CHIUSURA POSTER.CASSETTO FONDI CAFFE'ONE -AI-	
	37040410	SCREW M 4 X 10	



POS.	CODE	DESCRIPTION	NOTES
1	10700989	KIT TOUCH SCREEN EGRO ONE CAPACITIVE	
2	10701659	KIT KEYPAD BUTTON ONE	
	10705964	KEYPAD ONE	
3	38120086	BUTTONS SLIDER LABEL	
4	38120088	COVER STEAM HANDEL	
	38120256	FRONT STEAM CAP TWO	
5	38120087	COVER	
6	10060189	STEAM TAP/16	
7	37040411	SCREW M4X 10MM TSP CROSS INOX	
8	10705710	HING HOLDER PLATE	
9	37901002	LOCK BOLT	
10	39920006	CLAMP	
11	21000010A	FRONT PANEL ONE GREY	
	21000010B	FRONT PANEL ONE BLACK	
12	38120077	Control panel ONE	
13	37030409	SCREW M4 X 8 TCB	
14	34200326	CLIP WITH SCREW FIX 12,7	
	37155025	SCREW 4,2X25 TC CROS	
15	38120089	COVER STEAM SPOUT	
	38120257	LOWER STEAM CAP TWO	
16	38120090	COVER HOT WATER SPOUT	
	38120258	WATER CAP TWO	
17	10705592	USB WIRED ASSY ONE	
	34070075	WIRING SET J6 WITH USB CONNECTOR (TOUCH PAD)	
	36901952	Rubber seal Touchscreen ONE TOUCH	
18	37040420	HEX SOCKET HEAD SCREW M4 X 20 MM	
19	10701142	QM NMS OUTLET SLIDER ONE/ZERO ASSY.	
	10701143	TM XP NMS OUTLET SLIDER ASSY.	
20	00045532	GLIDER	
	10701142	QM NMS OUTLET SLIDER ONE/ZERO ASSY.	
	32331775	BRACKET POWDER OUTLET	
	32331779	COFFEE OULET SPRING BRACKET	
	37155003	SCREW ATF PT 3X6 TCB PH	
	37155012	SCREW 4 X 14 TCB PH	
21	00000932	HEX SOCKET HEAD SCREW M5 X 12 MM	
	37155012	SCREW 4 X 14 TCB PH	
	38120317	GEAR BEARING HOLDER	
22	00030511	SCREW	
24	10701391	STANDARD SPOUT d. 6.3mm	
	38120209	LOWER SPOUT NMS D5.5	only pinch valve version
25	39110062	AT BALL SPRING	
26	37900115	BALL 1/4 100	
27	10905117	COVER	
	10905122	COVER QUICK MILK	
28	38120211	HANDLE BREWING OUTLET	
29	45010208	Sticker "EGRO LOGO"; small	
	45010209	Sticker "EGRO LOGO"; big	

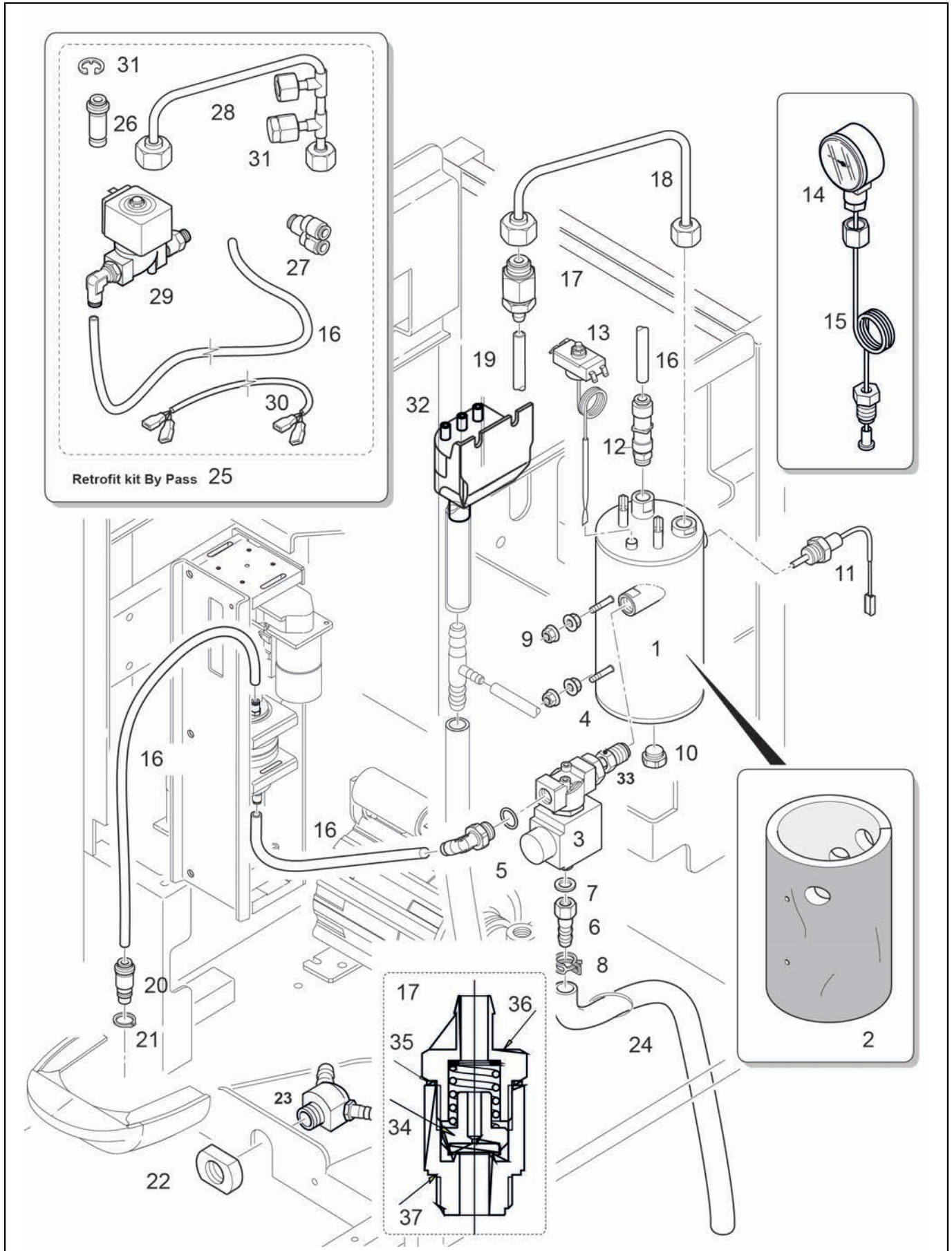


POS.	CODE	DESCRIPTION	NOTES
1	38228073	TEFLON HOSE FEP D. 6 X 4	
2	00004474	SILICON HOSE D. 8 X 5 MM	
3	00004473	SILICON HOSE D. 14 X 9 MM	
	10700281	DRAIN PIPE KIT	
5	69200162	Y CONNECTION SILICON PIPE D.6	replacement for 69200118 / Ersatz für 69200118
6	00055795	WIRE HOSE CLAMP 17,3 MM	
7	10700232	VALVE DRAIN TRAY	
10	00045714	REDUCING T CONNECTOR D. 12 - 6 - 12 MM	
11	00045714	REDUCING T CONNECTOR D. 12 - 6 - 12 MM	
	00100862.003	DRAIN PIPE KIT	
12	34040156	Valve 3/2 24V	

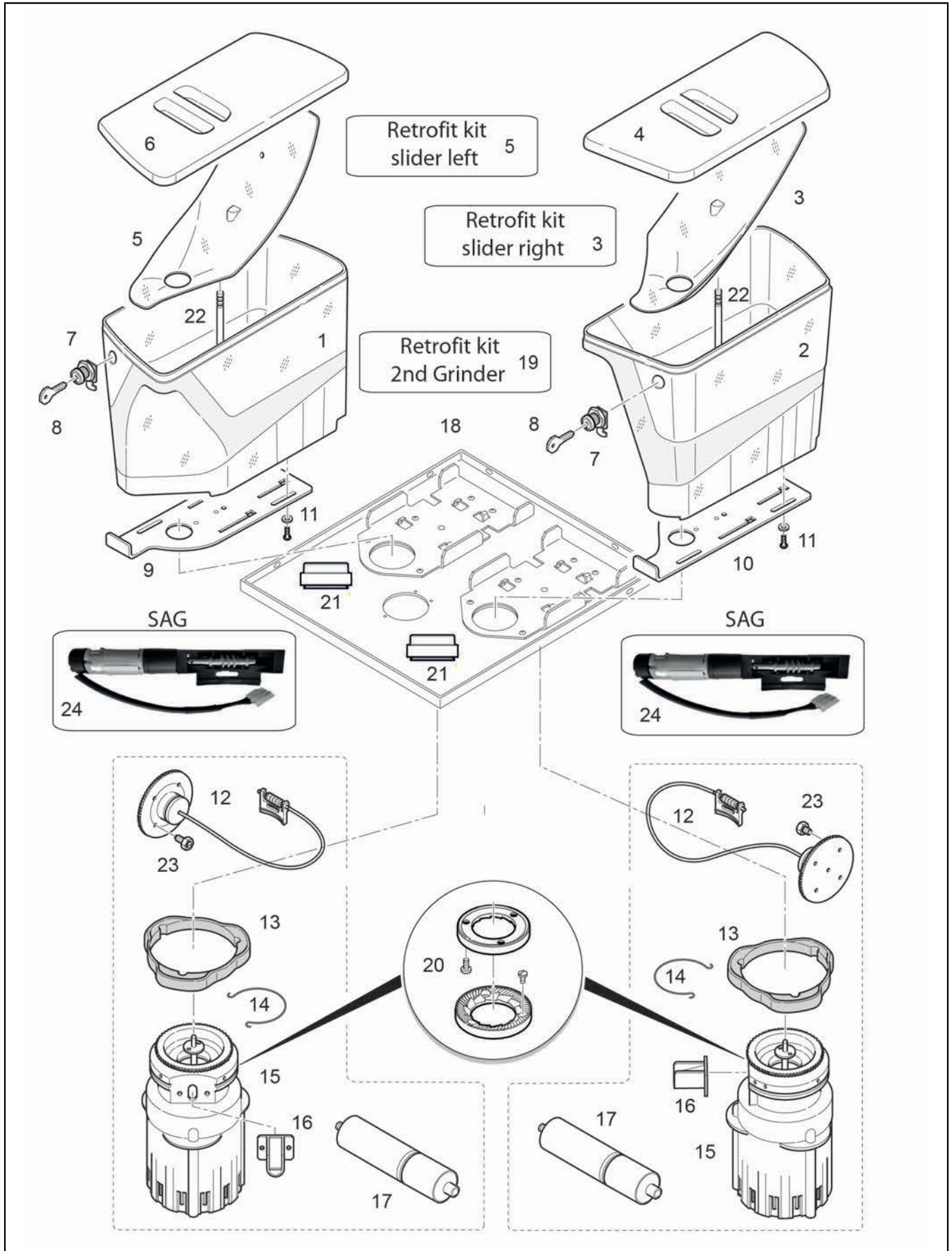




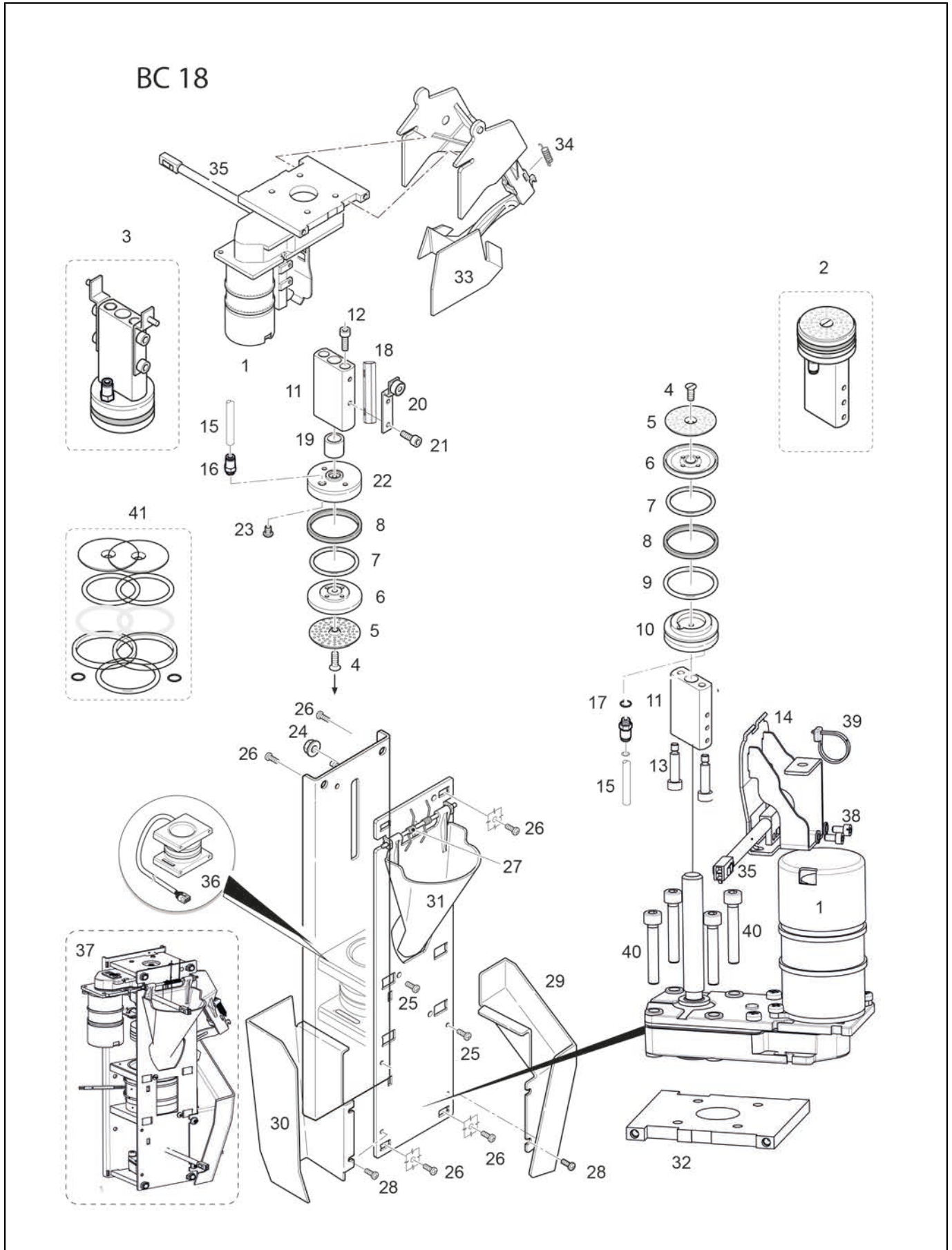
POS.	CODE	DESCRIPTION	NOTES
1	10020002 10020038 10020038 10701094	BOILER 230V 2500W DHE ASSY. Boiler 230V 2500W Coffee INCOLOY 800 Boiler 230V 2500W Coffee INCOLOY 800 RETROFIT KIT COFFEE BOILER 2,5KW 0,5L DHE	
2	69000415	BOILER INSULATION	
3	00100147.001  00100149.001  10060607 10060607 34040178  34040181  34040184	OPERATOR KIT 3/2 WAY WATER T30 (ACL)  Plunger 3/2 water T30 (ACL)  ELECTROVALVE COFFEE BOILER ELECTROVALVE COFFEE BOILER Plunger 3/2 T30 (SIRAI) ML316  OPERATOR KIT 3/2 WAYS T30 24V SIRAI  Valve 3/2 24V T30 (Sirai)	to be used on machine before S/N 12011960 PIN 119415 da utilizzare su macchine precedenti la N/F 12011960 PIN 119415  to be used on machine before S/N 12011960 PIN 119415 da utilizzare su macchine precedenti la N/F 12011960 PIN 119415  to be used on machine after S/N 12011960 PIN 119415 da utilizzare su macchine successive la N/F 12011960 PIN 119415  to be used on machine after S/N 12011960 PIN 119415 da utilizzare su macchine successive la N/F 12011960 PIN 119415  f
4	10042199	PIPE VALVE-BOILER COFFEE ZERO	
5	69200142	ELBOW CONNECTOR G1/4x4 PPSU	
6	23000322	RUBBER HOLDER VALVE COFFEE ZERO-ONE	
7	27350014	COPPER GASKET 12.5X9.8X1.5	
8	00055794	WIRE HOSE CLAMP 159 MM	
9	00001521	KEPS NUT M5	
10	23000309	PLUG WITH OGIVE 1/8"	
11	10110729 10701642	EXTENSION CABLE TEMPERATURE SENSOR TEMPERATURE SENSOR WITH O-RING	
12	69200173	Check valve 4 X G1/8	replacement for ../ Ersatz für 69200143
13	32331780 34200323	THERMOSTAT FIXING BRACKET HIGH LIMIT THERMOSTAT 140/15 220V	
14	35002509 35002513	Manometer Pumpe 0-16 D. 44 Manometer Pumpe 0-16	only used at black frame / nur verwendet bei schwarzem Gehäuse
15	69000244	PIPE PUMP MANOMETER	
16	38228072	TEFLON HOSE FEP D. 4,0 X 2,5	
17	10060009 10060479 27350001	Gasket holder with Viton gasket EXPANSION VALVE 8 X G 3/8 GASKET 3/8 X 1 COPPER	
18	10042099	PIPE EXPANSION VALVE COFFEE BOILER	
19	00004474	SILICON HOSE D. 8 X 5 MM	
20	00100038.001 10701020	O-RING 8,73 X 1,78 MVQ COFFEE INJECTOR	
21	00100186.013	SNAP RING D. 13 INOX	
22	23000135	NUT DRAIN CONNECTION	
23	10705809	DRAIN TRAY CONNECTION	
24	00004473	SILICON HOSE D. 14 X 9 MM	
25	10701148	RETROFIT KIT BYPASS WITH 2,5KW BOILER	
26	00100043.001 10701019	O-RING 6,75 X 1,78 MVQ CENTRAL INJECTOR/14	
27	69200187	Y CONNECTOR D.4 PPSU	



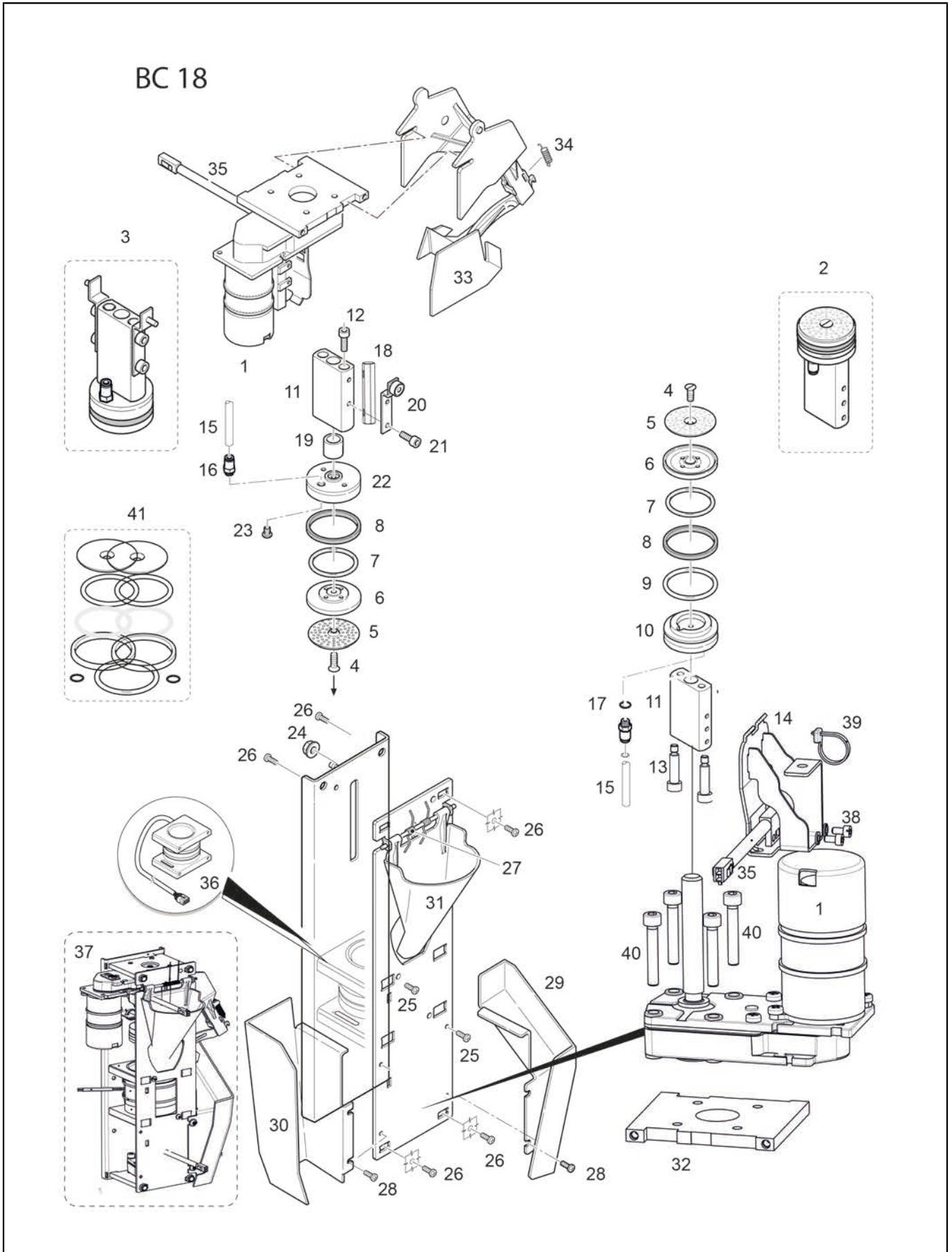
POS.	CODE	DESCRIPTION	NOTES
28	10046062	PIPE EXPANSION VALVE+BOILER COFFEE	
29	00100559.001	OPERATOR KIT 2/2 WAY WATER T30 (ACL)	to be used on machine before S/N 12011960 PIN 119415 da utilizzare su macchine precedenti la N/F 12011960 PIN 119415
	00100560.001	Plunger 2/2 water T30 (ACL)	to be used on machine before S/N 12011960 PIN 119415 da utilizzare su macchine precedenti la N/F 12011960 PIN 119415
	10060606	ELECTROVALVE POWDER-BYPASS	
	34040177	Plunger 2/2 T30 (SIRAI) ML316	
	34040183	Valve 2/2 24V T30 (Sirai)	
30	10110868	WIRING BY-PASS VALVE SIRAI	
31	23000289	CLOSING PIN G1/4	
32	10700232	VALVE DRAIN TRAY	
33	10042199	PIPE VALVE-BOILER COFFEE ZERO	
34	10060006	NUT AND STEAM COCK GASKET	
35	27350001	GASKET 3/8 X 1 COPPER	
36	23220001	RUBBER HOLDER	
37	23220014	L4 RUBBER-HOLDER	



POS.	CODE	DESCRIPTION	NOTES
1	00100878.001	Bean hopper ASSAY. LEFT WITHOUT LOCK	
	00100878.002	Bean hopper ASSAY. LEFT WITH LOCK	
2	00100877.001	Bean hopper ASSAY. RIGHT WITHOUT LOCK	
	00100877.002	Bean hopper ASSAY. RIGHT WITH LOCK	
3	38120580	SLIDER BEAN HOPPER RIGHT ONE/15	
4	38120075	Lid for bean hopper right	
5	38120581	SLIDER BEAN HOPPER LEFT ONE/15	
6	38120076	Lid for bean hopper left	
7	10705529	LOCK ASSAY. RONIS M15X17,5 WITH HOOK 25.5MM	
	69000337	LOCK 90 M15 X 17,5	
8	69000339	SERIAL KEY COD 200C	
9	32331404	SLIDER BEANS HOPPER LEFT	
10	32331403	SLIDER BEANS HOPPER RIGHT	
11	37113508	SELFSCREW M3X8	
	37410300	PLANE WASHER D3.2X9	
12	10701209	GRINDER ADJUSTMENT RIGHT/15	
	10701210	GRINDER ADJUSTMENT LEFT/15	
	10705715	GRINDER ADJUSTMENT LEFT (WELDED FRAME)	
	10705716	GRINDER ADJUSTMENT RIGHT (welded frame)	
13	36990026	RUBBER SILENT BLOCK ONE	
14	00101048.001	STOP SPRING	
15	10705713	GRINDER ASSAY. 220V - 50/60HZ RIGHT	
	10705714	GRINDER ASSAY. 220V - 50/60HZ LEFT	
16	00100565.001	POWDER SPOUT(STANDARD)	
17	00101070.001	CAPACITOR 14 MF 400VAC P2 UL	
	34020034	CAPACITOR 12,5MF 450V UL	
18	10705706	TOP LID 2 GRINDERS	
	10705717	TOP LID 1 GRINDER	
19	00101000.001	RETROFIT KIT 2ND GRINDER	
20	00046933	GRINDER PLATES, PAIR D. 54MM WITH SCREW	
21	36990025	SEAL (COLLAR) / GRINDER	
22	23000128	PIN BEAN HOPPER ONE SELF	
23	69200073	BLOCKING SREWM8	
24	34010015A	MOTOR 24V SAG WITH ENCODER	

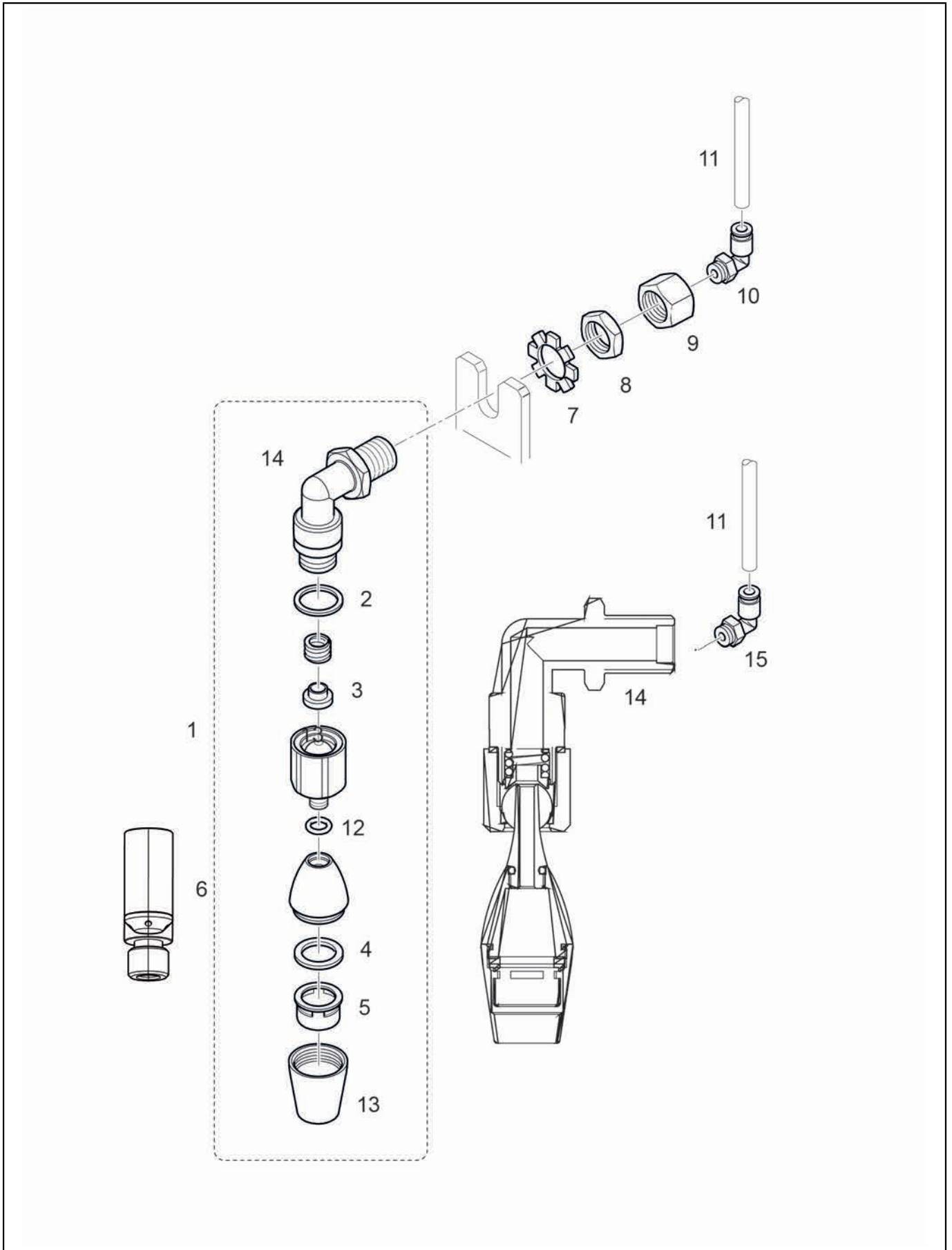


POS.	CODE	DESCRIPTION	NOTES
1	10701051	SPINDLE MOTOR WITH SENSOR	for Egro ONE: S/N 12009467 PIN 108293
2	10700177	LOWER PISTON BC18	
3	10700176	UPPER PISTON BC18	
4	00001176	COUNTERSUNK SCREW M4X12 MM	
5	00060116	BREWING SIEVE D. 44 MM	
6	00054861	FILTER CARRIER	
7	00100136.001	O-RING 31,35 X 3,53 SILICONE 70SH RED	
8	00039064	TURCON RING 32 X 44 X 4,2	
9	00100506.001	O-RING 36,09 X 3,53 SILICONE 70SH	
10	36930110	LOWER PISTON GR. BC18	
11	10701050	PISTON SHAFT WITH MAGNET	piston shaft for BC18, ATTENTION to the magnet position. (could be used also on L61 or previous groups, put the magnet on the opposite side) albero pistone per BC18, ATTENZIONE alla posizione del magnete. (può essere utilizzato su gruppi L61 o precedenti posizionando al contrario il magnete)
12	00000930	HEX SOCKET HEAD SCREW M5 X 25 MM	
13	00048548	HEX SOCKET HEAD SCREW FOR PEEK PISTONM4 X 15 MM	
14	32331498	PISTON GUIDE REED	
15	38228072	TEFLON HOSE FEP D. 4,0 X 2,5	
16	69200133	STRAIGHT CONNECTOR D.4 X M5	
17	00060283	O-RING 4 X 1,2 F	
18	00045032	NUT	
19	30001048	SPACER PISTON GUIDE	
20	32331443	BRACKET UPPER PISTON	
21	00000928	HEX SOCKET HEAD SCREW M4 X10 MM	
22	36930111	UPPER PISTON GROUP BC18	
23	00048550	FLOW LIMITER D. 0.7	
24	00001521	KEPS NUT M5	
25	37155011	SCREW ATF PT 4X10 TCB PH INOX	
26	37040409	SCREW M4 X 8 TE	
27	00060858	TRANSMISSION ASSAY.	
28	00046844	SCREW M4 X 8 MM	
29	38120120	SPINDLE MOTOR PROTECTION	
30	00048747	GROUNDS SLIDE	Fit for all generation brewing unit (L61/BC18)/ passt für alle Generationen von Brühgruppen (L61/BC18)
	38120119	GROUNDS SLIDER	does not fit for Automatic spout - use metal version 00048747 / passt nicht für Automatischen Auslauf - Metall Ausführung verwenden 00048747
31	38120115	COFFEE POWDER FUNNEL	
32	24300010	SPINDLE MOTOR PLATE	
33	10700178	EJECTOR BREWING GROUP	
34	39110026	SPRING EJECTOR	
35	34020125	End switch Spindle motor	
36	10701036	BREWING CHAMBER BC18	
37	10054002	BREWING GROUP BC18	
38	37060306	SCREW M3 X 6 TCEI	
	37420300	ELASTIC WASHER 3 X 0,8	
39	34200071	FIXING CABLE CLAMP	
40	00000935	HEX SOCKET HEAD SCREW M5 X 30 MM	

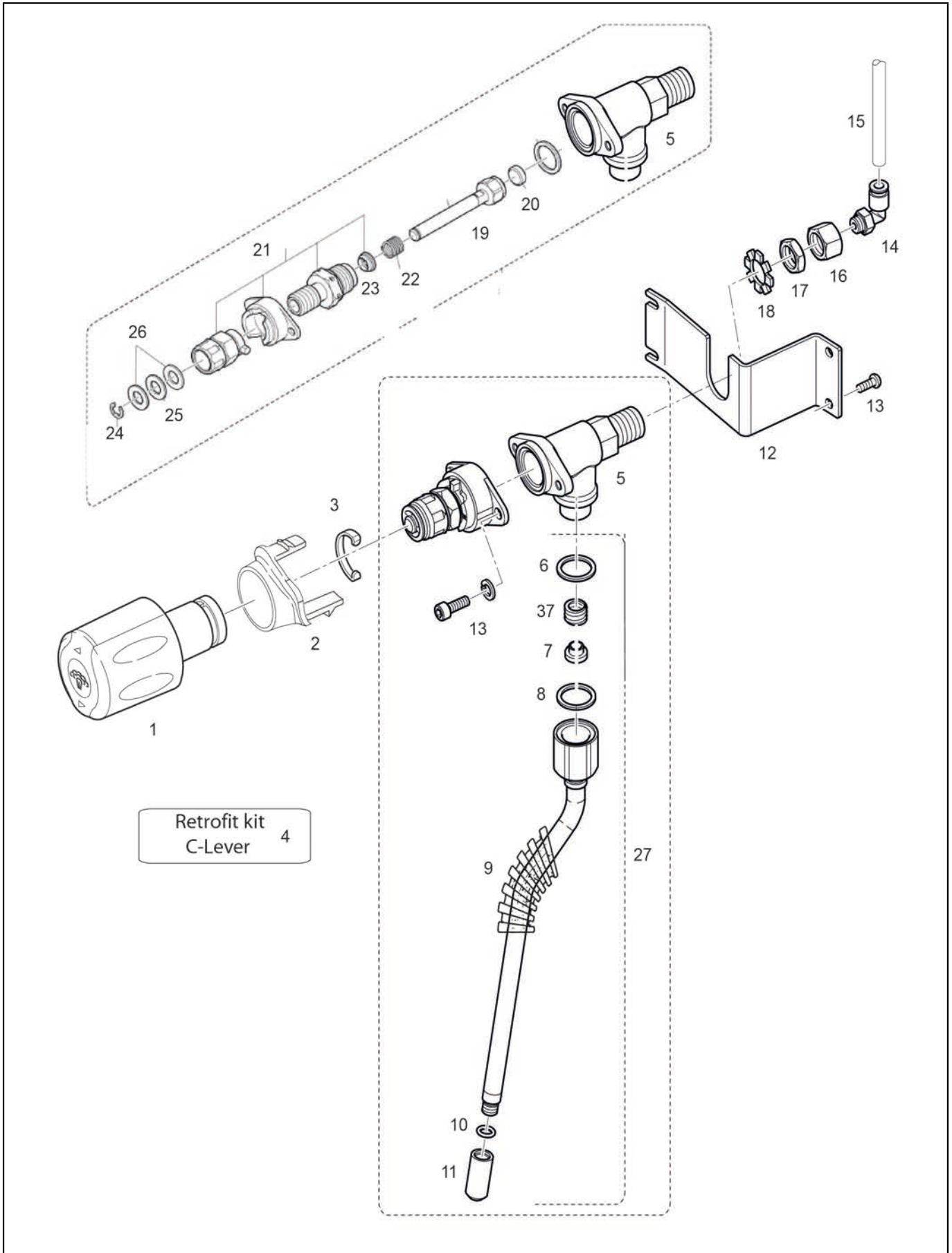




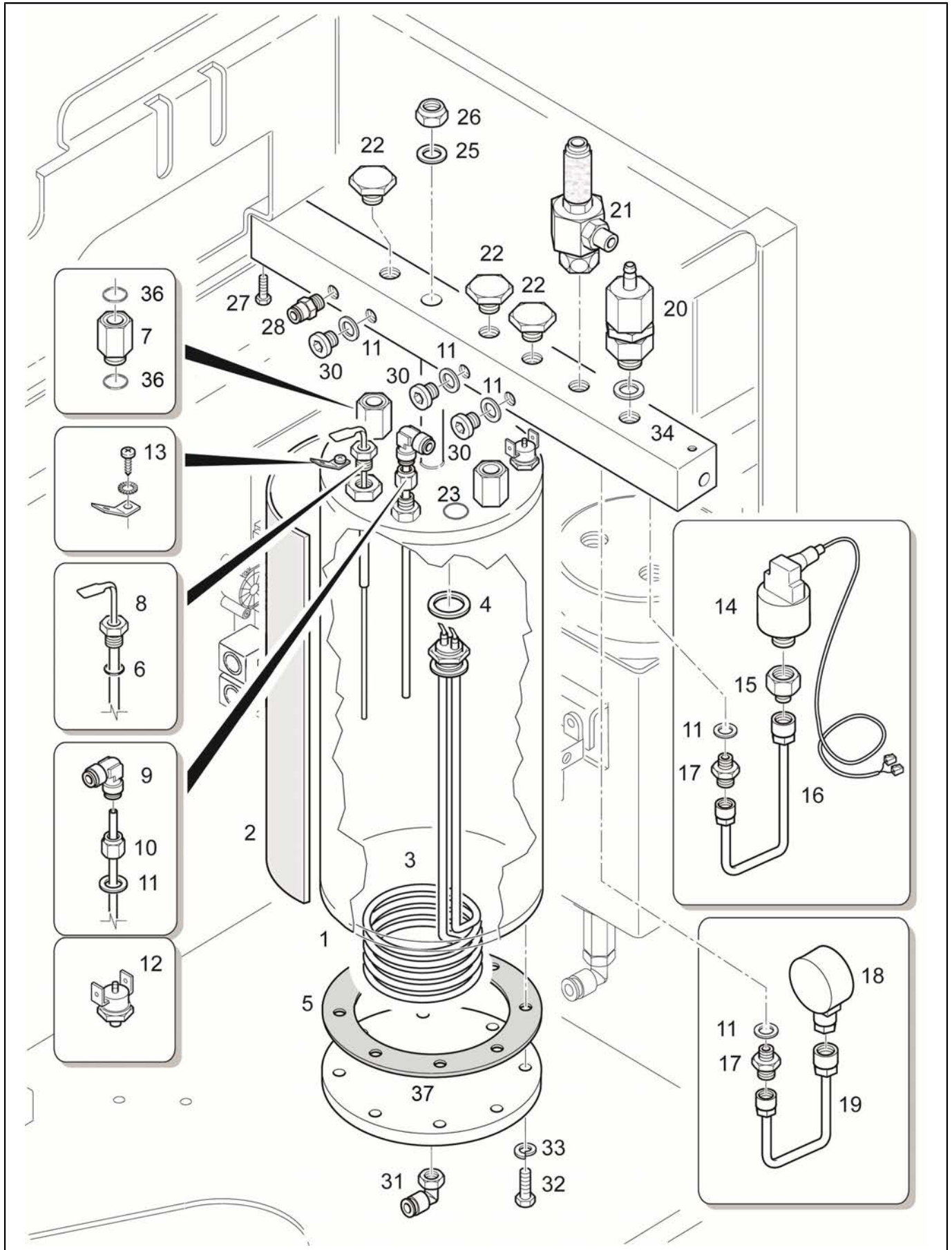
POS.	CODE	DESCRIPTION	NOTES
	37040409	SCREW M4 X 8 TE	
41	00057446	GASKET KIT BREWING GROUP	



POS.	CODE	DESCRIPTION	NOTES
1	10705245	CONNECTION+MOVEMENT WATER INOX	
2	36220009	GASKET NUT NOTE TEFLON	
3	36930017	TEFLON GASKET FOR STEAM WAND NUT	
4	36301040	O-RING FILTER JET BREAKER	
5	10049014 25135019	WATER OUTLET Mixing nozzle	
6	23000144 25128014 25128015	EXTENSION INOX M10 X 23MM EXTENSION INOX M10 X 76MM EXTENTION INOX M10 X 59MM	
7	37431600	OUTER TOOTHED WASHER D16	
8	26220005	FLAT NUT 3/8	
9	00100855.001	SLEEVE	
10	69200140 69200146	ELBOW CONNECTOR6 x G1/8 PPSU ELBOW CONNECTOR 6 X G1/8	
11	38228073	TEFLON HOSE FEP D. 6 X 4	
12	36404022	O-RING 6,4 X 1,9 R5A	
13	25135017	upperPart Water SPRAYER	
14	20200113	HOT WATER CONNECTION BRASS	
15	69200140	ELBOW CONNECTOR6 x G1/8 PPSU	



POS.	CODE	DESCRIPTION	NOTES
1	10060189	STEAM TAP/16	
2	38120087	COVER	
	38120088	COVER STEAM HANDEL	
3	32210001	STEAM HANDLE SPRING	
4	00100998.001	Retrofit kit C-Lever	
	10701326	RETROFIT KIT C-LEVER COOL TOUCH	
5	10060155	FAST STEAM TAP LEFT NO CONNECTOR	
6	36220009	GASKET NUT NOTE TEFLON	
7	36930016	GASKET TEFLON CONNECTION STEAM WAND	
8	36930017	TEFLON GASKET FOR STEAM WAND NUT	
9	10049112	STEAM PIPE INOX LG 25	
	10049121	COOL TOUCH WAND CLASSE 7	
	10701426	COOLTOUCH WAND/17	
	36990004	RUBBER FOR STEAM PIPES	
10	36404022	O-RING 6,4 X 1,9 R5A	
11	23212035	STEAM SPRAYER LG44 D1.5	
	25111006	STEAM NOZZLE	
12	32331413	BRACKET	
13	37040510	SCREWM5 X 10MM	
14	69200140	ELBOW CONNECTOR6 x G1/8 PPSU	
15	38228073	TEFLON HOSE FEP D. 6 X 4	
16	00100855.001	SLEEVE	
17	26220005	FLAT NUT 3/8	
18	37431600	OUTER TOOTHED WASHER D16	
19	10060002	ROD+NUT AND STEAM COCK GASKET	
20	36301105	GASKET FOR NUT STEAM TAP EPDM	
21	10701240	KIT CLEVER/15 CAMS PEEK LEFT	
22	39110035	WATER-STEAM COCK SPRING	
23	36990078	SHAFT GASKET FAST TAP	
24	37510700	SNAP RING D. 7	
25	36230001	TEFLON WASHER	
26	32239044	NEW STEAM COCK WASHER	
27	10706035	STEAM PIPE+JUNCTION ONE	
28	39110038	SPRING CONNECTION STEAM TAP	



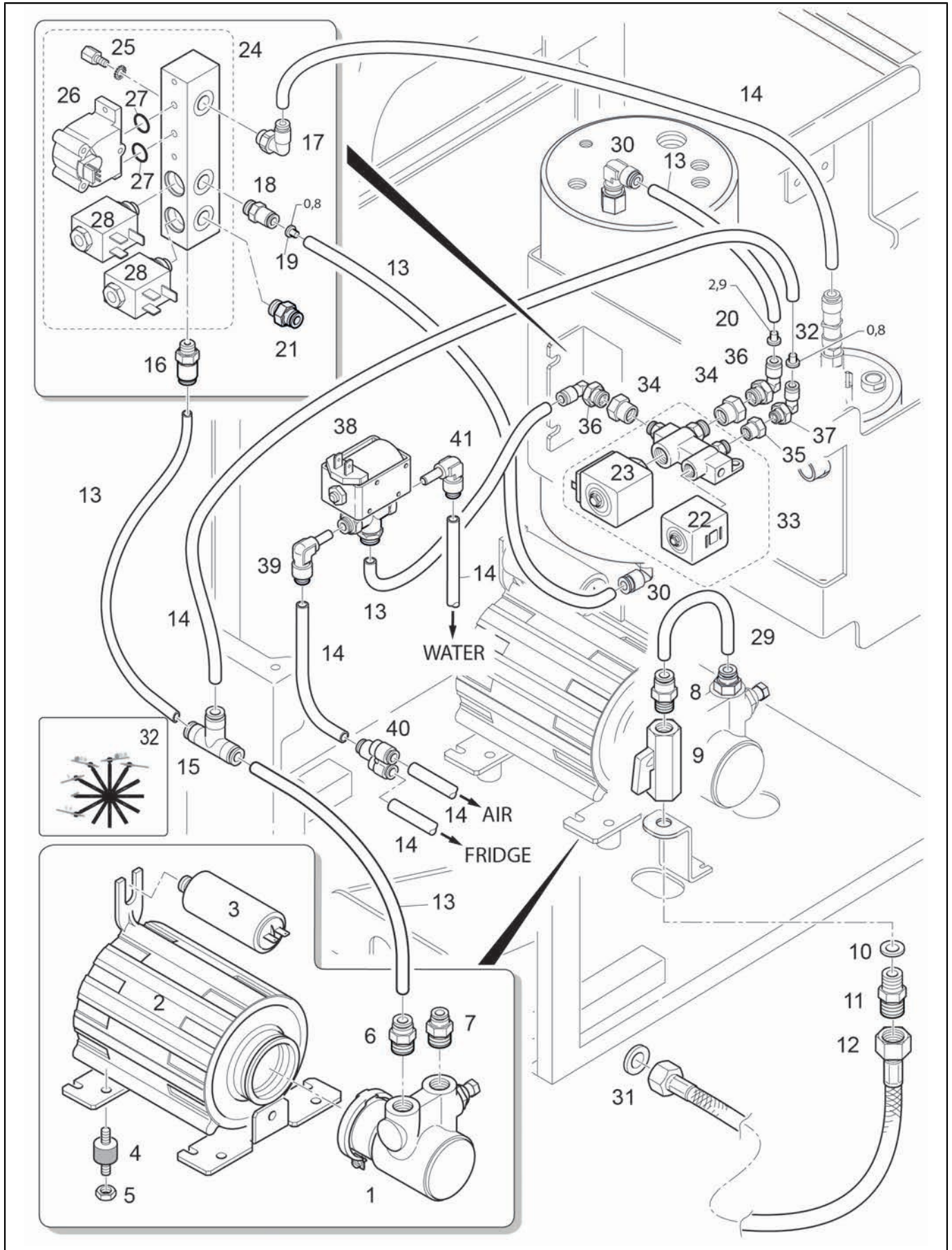
## Steam Boiler-Steam Valve Block PURE COFFEE

POS.	CODE	DESCRIPTION	NOTES
1	00100802.001 10020018	STEAM BOILER ASSY. 3 KW STEAM BOILER ASSY. 2,5KW	
2	36901955 69000417	STICKY TAPE 3M 50MMX55MT BOILER INSULATION STEAM BOILER	
3	10701173 10701254	HEATING ELEMENT WITH GASKET 2500W/230V ONE HEATING ELEMENT/15 230V/3KW+GASKET ONE-S50	
4	10700998 36201035	SERVICE KIT STEAM BOILER GASKET STEAM BOILER RESISTANCE GARLOCK EGRO ONE	
5	00100351.001	GASKET STEAM BOILER	
6	00002240	O-RING 14 X 1,78 EPDM 70SH	
7	00100267.001	STEAM CONNECTION	
8	00100268.002	LEVEL SENSOR 140 MM WITH GASKETG1/4	
9	00100793.001	ELBOW CONNECTOR 6 X 6 MM	
10	30001047	SUCTION PIPE	
11	27350014	COPPER GASKET 12.5X9.8X1.5	
12	00100300.001	TEMPERATURE LIMITER 140 C	
13	34160024 37030408 37430400	LAMELLAR CONTACT SCREW M 4 X 8 TOOTHED WASHER D4	
14	34200288	PRESSURE SENSOR	
15	00100869.001	ADAPTER NIPPLE D. G 1/4 X 3/8	
16	10705232	PIPE FOR PRESSURE TRANSDUCER	
17	00100059.001	DOUBLE NIPPLE G 1/4 X G 1/4	
18	00100236.001	Manometer 4 BAR	
19	10705233	PIPE FOR MANOMETER	
20	00044464 10060060 36220009 36404053	GASKET 16,5 X 13,2 X 1,5 COPPER Vacuum valve GASKET NUT NOTE TEFLON O-RING 5,28 X 1,78 EPDM	
21	00010152 00019974 00027170 00039067 00045682	THREADED NIPPLE GASKET 14,8 X 9 X 2 COPPER UNION NUT G3/8 X 13,5MM RELIEF VALVE, STEAM SPLASH GUARD-HOSE D. 16,0 X 45,0	
22	00060160	BRASS CLOSING SCREW	
23	00056751	GUINDING PIN D.8X8	
25	37411001	PLANE WASHER D.10	
26	00001484	NUT M10	
27	37040510	SCREWM5 X 10MM	
28	69200135	STRAIGHT CONNECTOR G1/8 X 6	
30	23000299	CAP G1/8 BOILER ONE/ZERO	
31	69200141	ELBOW CONNECTOR G1/4X6 PPSU	
32	37040621	SCREW M 6 X 20 INOX	
33	37420601	ELASTIC WASHER D. 6	
36	36404054	O-RING 12,42 X 1,78 V 70SH 2050	
37	23000194	PLATE STEAM BOILER 100 X 1/4	

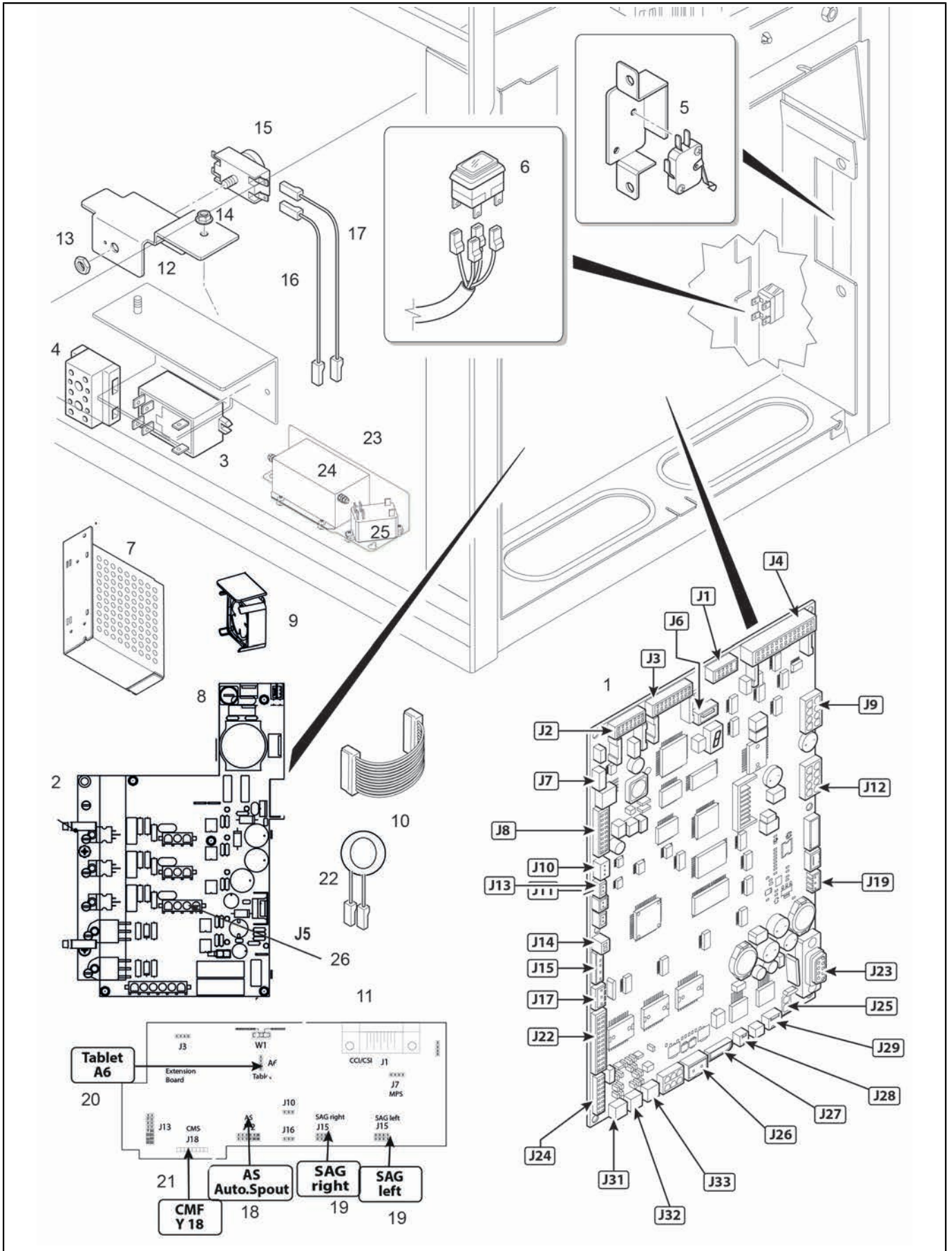




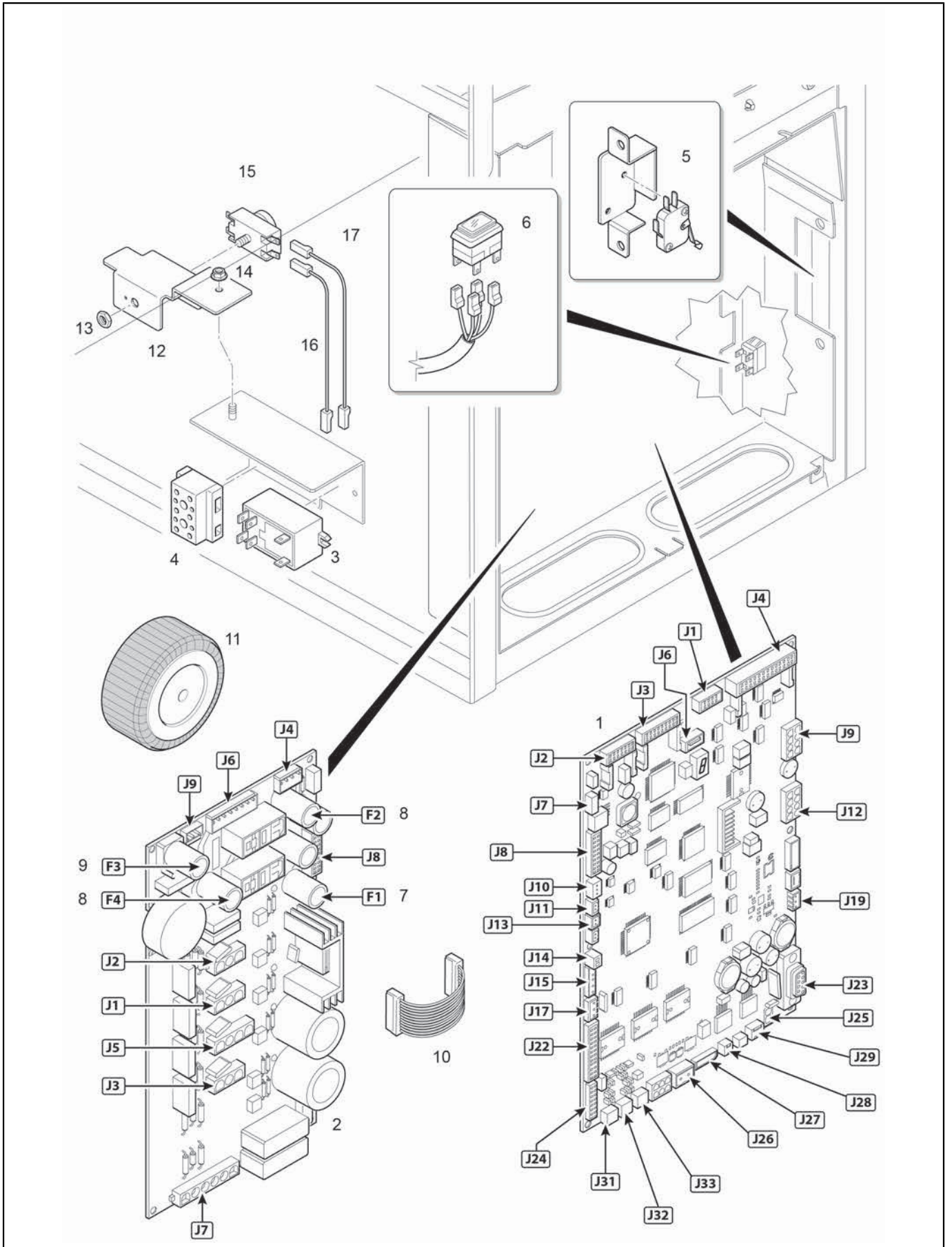
POS.	CODE	DESCRIPTION	NOTES
1	69000288	PUMP VM 100L/H	
2	00045393 00046299 00100367.001	PUMP MOTOR 230 V / 50 HZ - 120 W MOTOR 200 V PUMP MOTOR ASSAY. 230 V 50/60 HZ (USA)	
3	00042324 34020017	CAPACITOR ASSAY. 7.0 MF 200V CAPACITOR 6.3MF LT155-255	
4	36322006	ANTI-VIBRATING DEVICE 20 X 20 - M6 X 12 SH30	
5	00001522	KEPS NUT M6	
6	69200165	STRAIGHT CONNECTOR 6 X G3/8	
7	69200164	STRAIGHT CONNECTOR 8 X G3/8	
8	69200137	STRAIGHT NIPPLE M8 X G1/4	
9	69200171	BALL TAP G3/8-G1/4	
10	00058587	GASKET 15 X 7,2 X 2,1 RUBBER EPDM PEROX	
11	23000288	DOUBLE NIPPLE G3/8 X G1/4	
12	69000737	FLEX PIPE MM1500 NSF F3/8-F3/8 CHECK VALVE	
13	38228073	TEFLON HOSE FEP D. 6 X 4	
14	38228072	TEFLON HOSE FEP D. 4,0 X 2,5	
15	00100897.001	T - CONNECTOR D. 6 X 4 X 6 MM	
16	69200135	STRAIGHT CONNECTOR G1/8 X 6	
17	69200139	ELBOW CONNECTOR 4 x G1/8 PPSU	
18	69200190	Check valve 6 X G1/8	
19	00100899.001	Flow limiter 0,8	
20	00100939.001 10701412 38120337	FLOW LIMITER D. 2.9 X 4 KIT TEMPERATURA T# ONE RESTRICTION 3,2 X 4 PEEK	
21	23000299 27350014 69200134	CAP G1/8 BOILER ONE/ZERO COPPER GASKET 12.5X9.8X1.5 STRAIGHT CONNECTOR G1/8 X 4	
22	34040197 34049012 34049014	OPERATOR KIT 24V 2/2 T22 (COLD) PPO OPERATOR KIT 2/2 WAYS COLD WATER (T22) Plunger 2/2 cold water T22	
23	34040198 34049011 34049013	OPERATOR KIT 24V 2/2 T30 (HOT) PPO OPERATOR KIT 2/2 WAYS HOT WATER (T30) Plunger 2/2 hot water T30	
24	00100313.001	COLD WATER VALVE BLOCK ASSAY.	on machine before S/N 12011960 PIN 119415 use ACL Valves 34049007 su macchine precedenti la N/F 12011960 PIN 119415 utilizzare le valvole ACL 34049007 from S/N 12011960 PIN 119415 use SIRAI valves 34040163 su dalla N/F 12011960 PIN 119415 utilizzare valvola SIRAI 34040163
25	00046192	SPACERS	
26	00053558 10120008	FLOWMETER WITH O-RINGS FLOWMETER CABLE	
27	00055294	O-RING KIT FOR FLOWMETER	
28	34040179  34040182  34049006	Plunger 2/2 T22 (SIRAI)  OPERATOR KIT 2/2 WAYS T22 SIRAI  Plunger 2/2 water T22 (ACL)	to be used on machine after S/N 12011960 PIN 119415 da utilizzare su macchine successive la N/F 12011960 PIN 119415 to be used on machine after S/N 12011960 PIN 119415 da utilizzare su macchine successive la N/F 12011960 PIN 119415 to be used on machine before S/N 12011960 PIN 119415 da utilizzare su



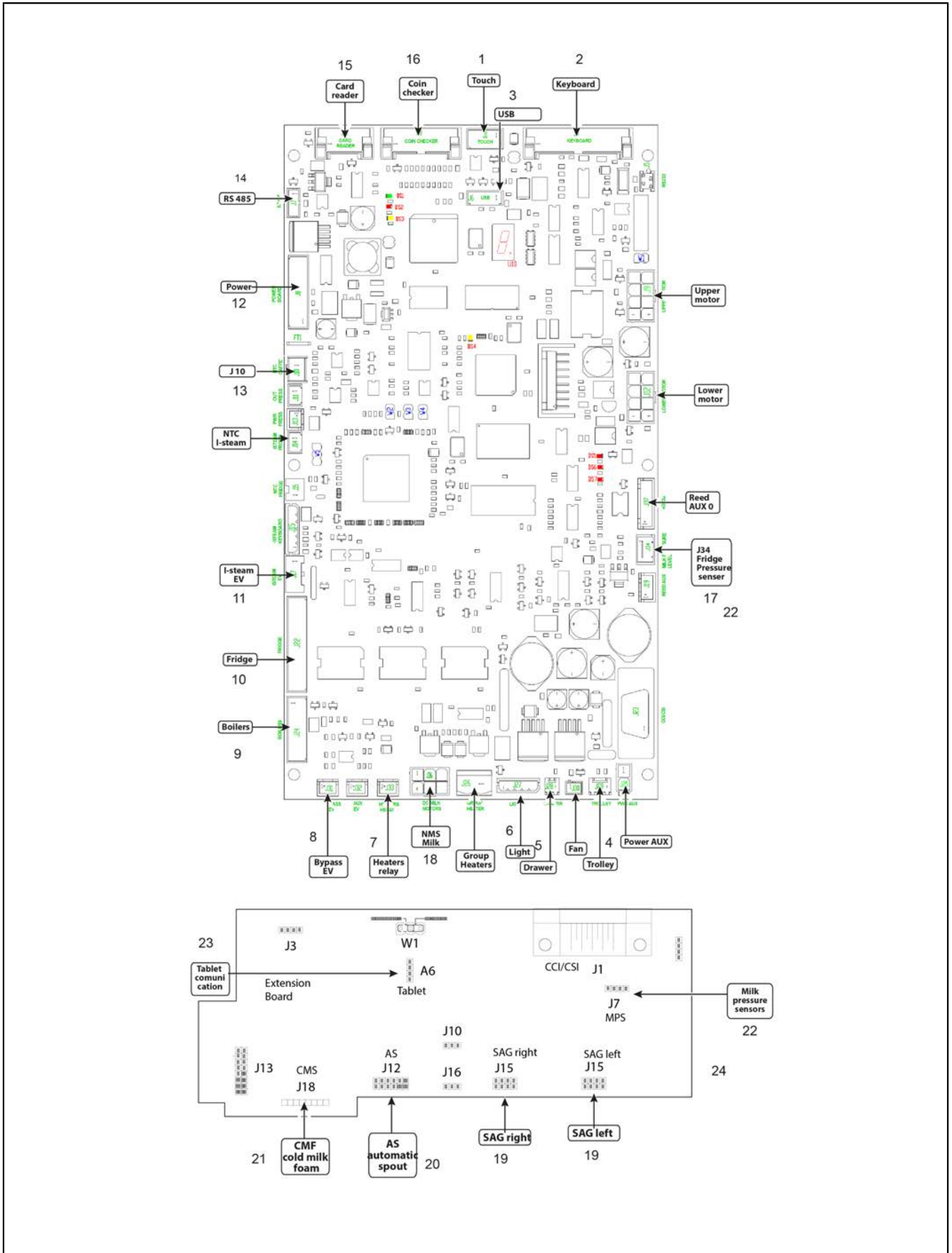
POS.	CODE	DESCRIPTION	NOTES
	34049007	OPERATOR KIT 2/2 WAY WATER (ACL) T22	macchine precedenti la N/F 12011960 PIN 119415 to be used on machine before S/N 12011960 PIN 119415 da utilizzare su macchine precedenti la N/F 12011960 PIN 119415
29	38228074	TEFLON HOSE FEP D. 8 X 6	
30	69200187	Y CONNECTOR D.4 PPSU	
31	00019974	GASKET 14,8 X 9 X 2 COPPER	
32	38120127	RESTRICTION RING LITTLE WHITE	
33	10701473 10705759 10705788	Economizer 24V Plastic Economizer 24V/2016 WATER MIXER 24V-PPS	
34	69200150	CONNECTION M12 X 1,8G	
35	69200151	CONNECTION M10 X 1,8G	
36	00053754	THREADED ELBOW, MALE D. 6 MM X G1/8	
37	69200134	STRAIGHT CONNECTOR G1/8 X 4	
38	34040156 69200174	Valve 3/2 24V VALVE MEMBRANE	
39	69200188	ELBOW CONNECTOR 4FF D6 PPSU	
40	69200187	Y CONNECTOR D.4 PPSU	
41	69200130	ELBOW CONNECTOR 6X6	



POS.	CODE	DESCRIPTION	NOTES
1	10701056	KIT CPU BOARD EGRO ONE NMS	
2	10701400	POWER BOARD EGRO	for all ONE/TWO/BYO with Power Switching supply from SN für alle ONE/TWO/BYO mit Schaltnetzteil ab SN
3	34200289	HEATING ELEMENT RELAY	
4	00053952	CONNECTING TERMINAL 3 P	
	34300072	CABLE+PLUG	
	34300074	CAVO H07RN-F 3CAPI SEZ.2,5 L=2000	
	34300075	CAVO H07RN-F 3CAPI SEZ.4 L=2500	
	34300079	CAVO H07RN-F 5C.SEZ.4 L=2500	
	34300098	CAVO H07RN-F 4C.SEZ.2,5 L=2000	
5	34100021	MICRO SWITCH	
6	34030077	MAIN SWITCH	
7	34070300	POWER SUPPLY 24V 150W	
8	34200177	FUSE 2A 5X20	
9	34070021	FLOWMETER WIRED	
10	10110701	CABLE POWERSUPPLY-CPU ONE	
11	34070160	EGRO extension board with Bluetooth	for options (SAG, AS, CMF, BYO) / für Optionen (SAG, AS, CMF, BYO)
12	32331595	RELAY/THERMOSTAT BRACKET	
14	00001518	KEPS NUT M4	
15	34200323	HIGH LIMIT THERMOSTAT 140/15 220V	
16	10110852	EXTENSION CABLE COFFEE BOILER DHE	
18	10110961	WIRING AS	
19	10110962	WIRING SAG	
20	10110958	Wiring tablet BYO FIX	
21	10110960	WIRING CMF VALVES	
22	34070236	cabl button display BYO	
23	10110343	WIRING RELAY/EMC FILTER	
24	34021013	EMC FILTER ONE	
25	34200289	HEATING ELEMENT RELAY	
26	10110708	WIRING PUMP	

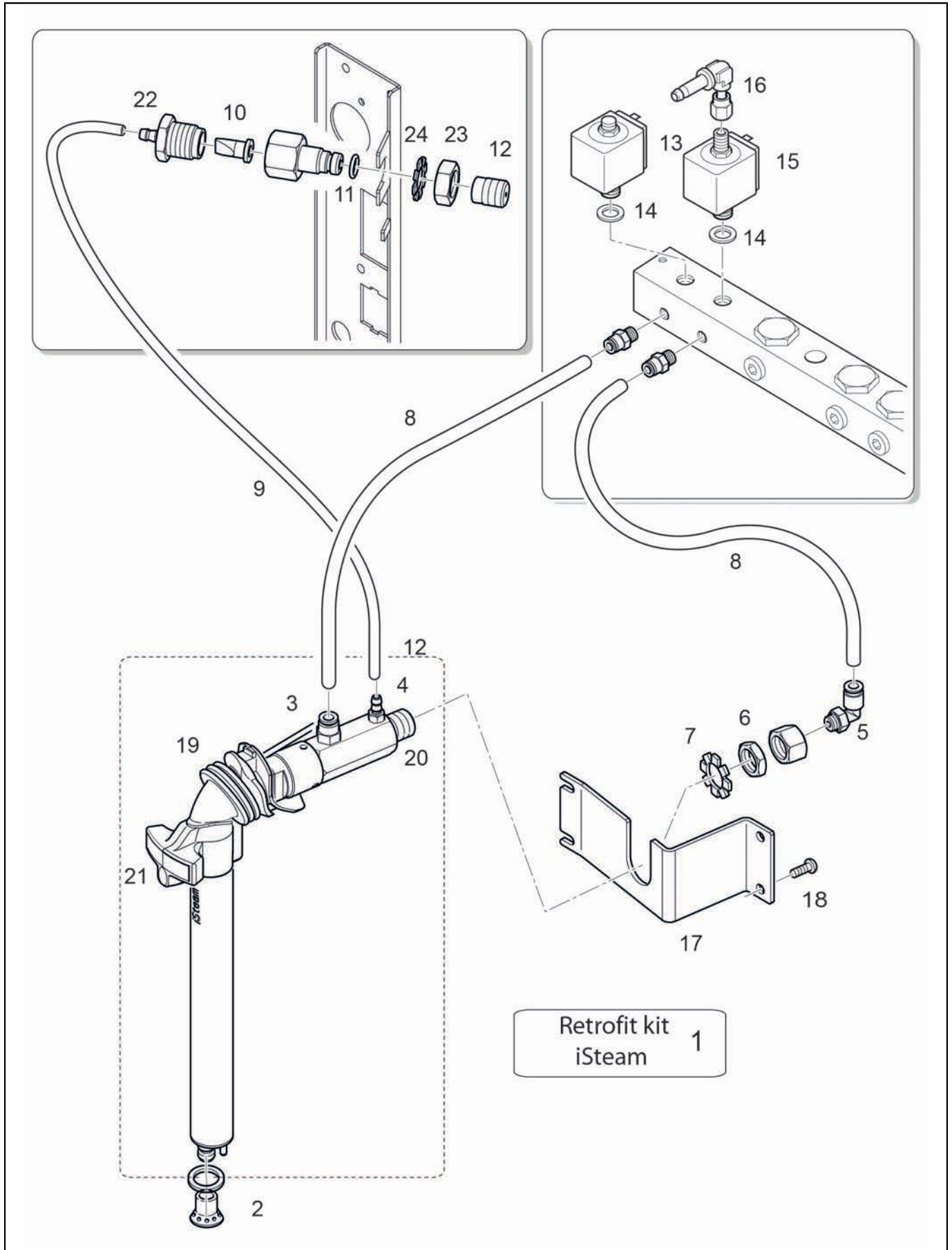


POS.	CODE	DESCRIPTION	NOTES
1	10701056	KIT CPU BOARD EGRO ONE NMS	
2	10705962	POWER SUPPLY EGRO ONE	
3	34200289	HEATING ELEMENT RELAY	
4	00025861	CONE FITTING	
	00053952	CONNECTING TERMINAL 3 P	
	34300072	CABLE+PLUG	
	34300073	CAVO H07RN-F 5C.SEZ.2,5 L=2000	
	34300074	CAVO H07RN-F 3CAPI SEZ.2,5 L=2000	
	34300074	CAVO H07RN-F 3CAPI SEZ.2,5 L=2000	
	34300079	CAVO H07RN-F 5C.SEZ.4 L=2500	
	34300098	CAVO H07RN-F 4C.SEZ.2,5 L=2000	
5	34100021	MICRO SWITCH	
6	34030077	MAIN SWITCH	
7	00003285	FUSET8A 250V 5X20MM	
8	34200177	FUSE 2A 5X20	
9	00003280	FUSE F6,3A 250V 5X20MM	
10	10110701	CABLE POWERSUPPLY-CPU ONE	
11	34200269	TRANSFORMER 140va	





POS.	CODE	DESCRIPTION	NOTES
1	10110705	WIRING SET TOUCHSCREEN ONE	
2	00044846	FLAT CABLE 600MM	
3	10110706	EXTENSION USB-CABLE	
	34070075	WIRING SET J6 WITH USB CONNECTOR (TOUCH PAD)	
4	10110714	WIRING SET J29	
5	10110717	WIRING SET J28	
6	10705592	USB WIRED ASSY ONE	
7	10110716	WIRING SET J33 RELAYS	
8	10110704	WIRING SET J31 BY PASS ONE	
	10110867	WIRING VALVES SIRAI	
9	10110867	WIRING VALVES SIRAI	
10	10110709	WIRING SET J22 KS7	
	10110715	WIRING SET J22 ONE QUICK MILK	
	10110759	WIRING MILK PUMP MODULE KS9	
	10110821	WIRING SET J22 ONE QUICK MILK NMS	
	10701324	Extension kit - Undercounter fridge	
11	10110703	WIRING SET J17 iSteam	
	10110874	wiring electrovalve isteam 3valves cc	
12	10110712	WIRING SET J10 EXTENSION WIRING COFFEE PROBE ONE	
13	10110701	CABLE POWERSUPPLY-CPU ONE	
14	10110728	WIRING POWDER MODULE - COFFEE MACHINE	
15	10110001	FLAT CABLE PAY SYSTEM MACHINE 16 POLES	
	10110002	FLAT CABLE SMART CARD 10 POLES	
16	00034550	Cable Tie 2,5 X 200 Mm	
	34200071	FIXING CABLE CLAMP	
	34200301	CLAMP L.155X4,8MM	
17	10110835	PRESSURE SENSOR CABLE SET NMS 1MILK	
	10110837	EXTENSION CABLE PRESSURE SENSOR 4POLE	
	10110839	PRESSURE SENSOR CABLE SET 2MILK	
	10110976	Cable Milk sensor NMS	Kabel Drucksensor von Maschine / cable pressure sensor from machine
19	10110962	WIRING SAG	
20	10110961	WIRING AS	
21	10110959	WIRING VALVE PUMP MODULE CMF KS9	
	10110960	WIRING CMF VALVES	
22	10110835	PRESSURE SENSOR CABLE SET NMS 1MILK	
	10110837	EXTENSION CABLE PRESSURE SENSOR 4POLE	
23	10110958	Wiring tablet BYO FIX	
24	34070236	cablE button display BYO	



POS.	CODE	DESCRIPTION	NOTES
1	10701627 10705590	RETROFIT KIT iSteam ONE/19 iSteam ASSAY.	250mm
2	23000098V 36404022	iSteam SPRAYER O-RING 6,4 X 1,9 R5A	
3	69200135	STRAIGHT CONNECTOR G1/8 X 6	
4	23000100	GASKET-HOLDER VENTURI ISTEAM	
5	69200140	ELBOW CONNECTOR6 x G1/8 PPSU	
6	26220005	FLAT NUT 3/8	
7	37431600	OUTER TOOTHED WASHER D16	
8	38228073	TEFLON HOSE FEP D. 6 X 4	
9	00050010.001	SILICON HOSE D. 6,0 X 3,0 MM	
10	10701437 36230017 36230021	AIR INLET VALVE iSteam/17 DUCKBILL VALVE DUCKBILL VALVE	Replacement for 36230017 / Ersatz für 36230017
11	10701437 36404013	AIR INLET VALVE iSteam/17 O-RING SILICONE 2031	
12	23000092 23000093 23000192	Flow limiter 0,25 iSteam/YouSteam Flow limiter 0,35 iSteam/YouSteam Flow limiter 0,15 iSteam	
13	00100559.001 00100560.001	OPERATOR KIT 2/2 WAY WATER T30 (ACL) Plunger 2/2 water T30 (ACL)	
14	00100013.001	O-RING 17,17 X 1,78 F	
15	00100016.005 00100116.005	Plunger 3/2 steam T30 (ACL) OPERATOR KIT 3/2 WAYS STEAM (ACL) T30	
16	00057912	THREADED ELBOW, MALED. 6 MM X G1/8	
17	32331413	BRACKET	
18	37040410	SCREW M 4 X 10	
19	36990024	Collar iSteam	
20	36404054	O-RING 12,42 X 1,78 V 70SH 2050	
21	10701363	ISTEAM KEYPAD/16	
22	36990058	RUBBER HOLDER AIR ISTEAM	
23	37321201	NUT M12	
24	37431200	Toothed washer D. 12,5	

Code	No. table	Pos.
00000928	2002_02	21
00000930	2002_02	12
00000932	1001_02	21
00000932	1001_04	36
00000935	2002_02	40
00001062	1001_04	20
00001065	1010	16
00001069	1001_04	24
00001176	2002_02	4
00001484	2010	26
00001518	3000_03	14
00001521	2000_03	9
00001521	2002_02	24
00001522	2007_02	5
00002240	1000	17
00002240	2010	6
00003280	3000_02	9
00003285	3000_02	7
00004473	2000_03	24
00004473	2001_02	3
00004474	2000_03	19
00004474	2001_02	2
00010152	2010	21
00019974	2007_02	31
00019974	2010	21
00025861	3000_02	4
00027170	2010	21
00030494	1010	17
00030511	1001_02	22
00034550	3001	16
00039064	2002_02	8
00039067	2010	21
00042324	2007_02	3
00044464	2010	20
00044846	3001	2
00045032	2002_02	18
00045393	2007_02	2
00045532	1001_02	20
00045682	2010	21
00045714	2001_02	10
00045714	2001_02	11
00046069	1000	16
00046069	1000	18
00046192	2007_02	25
00046299	2007_02	2
00046844	1000	9
00046844	2002_02	28
00046933	2005	20
00048548	2002_02	13
00048550	2002_02	23
00048747	2002_02	30
00049209	1001_04	28
00050010.001	4000	9
00053558	2007_02	26
00053754	2007_02	36
00053952	3000_02	4
00053952	3000_03	4
00054649	1000	15
00054861	2002_02	6
00054938	1001_04	27
00055294	2007_02	27
00055557	1000	15
00055794	2000_03	8
00055795	2001_02	6
00056751	2010	23
00057446	2002_02	41
00057912	4000	16

Code	No. table	Pos.
00058587	2007_02	10
00060116	2002_02	5
00060160	2010	22
00060283	2002_02	17
00060858	2002_02	27
00100001.208	1001_04	22
00100013.001	4000	14
00100016.005	4000	15
00100038.001	2000_03	20
00100043.001	2000_03	26
00100059.001	2010	17
00100116.005	4000	15
00100136.001	2002_02	7
00100147.001	2000_03	3
00100149.001	2000_03	3
00100186.013	2000_03	21
00100236.001	2010	18
00100267.001	2010	7
00100268.002	2010	8
00100300.001	2010	12
00100313.001	2007_02	24
00100351.001	2010	5
00100367.001	2007_02	2
00100506.001	2002_02	9
00100559.001	2000_03	29
00100559.001	4000	13
00100560.001	2000_03	29
00100560.001	4000	13
00100565.001	2005	16
00100793.001	2010	9
00100802.001	2010	1
00100855.001	2003	16
00100855.001	2004	9
00100862.003	2001_02	11
00100869.001	2010	15
00100877.001	2005	2
00100877.002	2005	2
00100878.001	2005	1
00100878.002	2005	1
00100897.001	2007_02	15
00100899.001	2007_02	19
00100939.001	2007_02	20
00100986.001	1000	20
00100987.001	1000	20
00100996.001	1000	21
00100997.001	1000	19
00100998.001	2003	4
00101000.001	2005	19
00101048.001	2005	14
00101070.001	2005	17
10020002	2000_03	1
10020018	2010	1
10020038	2000_03	1
10020038	2000_03	1
10042099	2000_03	18
10042199	2000_03	33
10042199	2000_03	4
10046062	2000_03	28
10049014	1001_04	9
10049014	2004	5
10049112	2003	9
10049121	2003	9
10054002	2002_02	37
10060002	2003	19
10060006	2000_03	34
10060009	2000_03	17
10060060	2010	20

Code	No. table	Pos.
10060155	2003	5
10060189	1001_02	6
10060189	2003	1
10060479	2000_03	17
10060606	2000_03	29
10060607	2000_03	3
10060607	2000_03	3
10110001	3001	15
10110002	3001	15
10110343	3000_03	23
10110701	3000_02	10
10110701	3000_03	10
10110701	3001	13
10110703	3001	11
10110704	3001	8
10110705	3001	1
10110706	3001	3
10110708	3000_03	26
10110709	3001	10
10110712	3001	12
10110714	3001	4
10110715	3001	10
10110716	3001	7
10110717	3001	5
10110728	3001	14
10110729	2000_03	11
10110759	3001	10
10110821	3001	10
10110835	3001	17
10110835	3001	22
10110837	3001	17
10110837	3001	22
10110839	3001	17
10110852	3000_03	16
10110867	3001	8
10110867	3001	9
10110868	2000_03	30
10110874	3001	11
10110958	3000_03	20
10110958	3001	23
10110959	3001	21
10110960	3000_03	21
10110960	3001	21
10110961	1001_04	39
10110961	3000_03	18
10110961	3001	20
10110962	3000_03	19
10110962	3001	19
10110976	3001	17
10120008	2007_02	26
10700176	2002_02	3
10700177	2002_02	2
10700178	2002_02	33
10700232	2000_03	32
10700232	2001_02	7
10700281	2001_02	3
10700989	1001_02	1
10700997	1000	25
10700998	2010	4
10701019	2000_03	26
10701020	2000_03	20
10701036	2002_02	36
10701050	2002_02	11
10701051	2002_02	1
10701056	3000_02	1
10701056	3000_03	1
10701094	2000_03	1

Code	No. table	Pos.	Code	No. table	Pos.	Code	No. table	Pos.
10701142	1001_02	19	23000135	2000_03	22	34020125	2002_02	35
10701142	1001_02	20	23000136	1000	21	34021013	3000_03	24
10701143	1001_02	19	23000144	2004	6	34030077	3000_02	6
10701148	2000_03	25	23000192	4000	12	34030077	3000_03	6
10701173	2010	3	23000194	2010	37	34040156	2001_02	12
10701209	2005	12	23000277	1001_04	14	34040156	2007_02	38
10701210	2005	12	23000288	2007_02	11	34040158	1001_04	16
10701240	2003	21	23000289	2000_03	31	34040177	2000_03	29
10701254	2010	3	23000299	2007_02	21	34040178	2000_03	3
10701324	3001	10	23000299	2010	30	34040179	2007_02	28
10701326	2003	4	23000309	2000_03	10	34040181	2000_03	3
10701363	4000	21	23000322	2000_03	6	34040182	2007_02	28
10701391	1001_02	24	23000332	1001_04	5	34040183	2000_03	29
10701395	1010	1	23212035	2003	11	34040184	2000_03	3
10701400	3000_03	2	23220001	2000_03	36	34040197	2007_02	22
10701412	2007_02	20	23220014	2000_03	37	34040198	2007_02	23
10701413	1000	15	24300010	2002_02	32	34049006	2007_02	28
10701426	2003	9	25111006	2003	11	34049007	2007_02	28
10701437	4000	10	25128014	2004	6	34049011	2007_02	23
10701437	4000	11	25128015	2004	6	34049012	2007_02	22
10701473	2007_02	33	25135017	1001_04	12	34049013	2007_02	23
10701527	1000	27	25135017	2004	13	34049014	2007_02	22
10701627	4000	1	25135019	1001_04	11	34070021	3000_03	9
10701642	2000_03	11	25135019	2004	5	34070075	1001_02	17
10701659	1001_02	2	26220005	1001_04	3	34070075	3001	3
10705232	2010	16	26220005	2003	17	34070160	3000_03	11
10705233	2010	19	26220005	2004	8	34070236	3000_03	22
10705245	2004	1	26220005	4000	6	34070236	3001	24
10705528	1000	7	27350001	2000_03	17	34070300	3000_03	7
10705529	1000	8	27350001	2000_03	35	34070313	1001_04	38
10705529	2005	7	27350014	2000_03	7	34100021	1010	9
10705590	4000	1	27350014	2007_02	21	34100021	3000_02	5
10705592	1001_02	17	27350014	2010	11	34100021	3000_03	5
10705592	3001	6	30001047	2010	10	34160024	2010	13
10705706	1000	5	30001048	2002_02	19	34200071	2002_02	39
10705706	2005	18	32210001	2003	3	34200071	3001	16
10705707	1000	6	32239044	2003	26	34200177	3000_02	8
10705708	1000	6	32331403	2005	10	34200177	3000_03	8
10705710	1001_02	8	32331404	2005	9	34200269	3000_02	11
10705713	2005	15	32331413	2003	12	34200288	2010	14
10705714	2005	15	32331413	4000	17	34200289	3000_02	3
10705715	2005	12	32331419	1000	20	34200289	3000_03	25
10705716	2005	12	32331435	1000	26	34200289	3000_03	3
10705717	1000	5	32331443	2002_02	20	34200301	3001	16
10705717	2005	18	32331498	2002_02	14	34200323	2000_03	13
10705759	2007_02	33	32331595	3000_03	12	34200323	3000_03	15
10705788	2007_02	33	32331698	1000	29	34200326	1001_02	14
10705801	1000	16	32331775	1001_02	20	34200358	1001_04	26
10705809	2000_03	23	32331779	1001_02	20	34300072	3000_02	4
10705962	3000_02	2	32331780	2000_03	13	34300072	3000_03	4
10705964	1001_02	2	32332038	1001_04	29	34300073	3000_02	4
10705966	1000	1	32332077	1001_04	18	34300074	3000_02	4
10705966	1000	3	32332144	1010	1	34300074	3000_02	4
10705968	1000	1	32332145	1010	2	34300074	3000_03	4
10705979	1000	3	32332163	1010	3	34300075	3000_03	4
10706035	2003	27	32332164	1010	4	34300079	3000_02	4
10781311	1000	15	32332165	1010	5	34300079	3000_03	4
10905117	1001_02	27	32332166	1010	6	34300098	3000_02	4
10905122	1001_02	27	32332167	1010	7	34300098	3000_03	4
20200113	2004	14	32332168	1010	8	35002509	2000_03	14
21000010A	1001_02	11	32551057	1000	2	35002513	2000_03	14
21000010B	1001_02	11	32551057A	1000	2	36201035	2010	4
23000092	4000	12	34010014	1001_04	30	36220009	1001_04	6
23000093	4000	12	34010015A	2005	24	36220009	2003	6
23000098V	4000	2	34011038A	1001_04	25	36220009	2004	2
23000100	4000	4	34020017	2007_02	3	36220009	2010	20
23000128	2005	22	34020034	2005	17	36230001	2003	25

Code	No. table	Pos.
36230017	4000	10
36230021	4000	10
36301040	1001_04	10
36301040	2004	4
36301105	2003	20
36322006	2007_02	4
36404013	4000	11
36404022	1001_04	9
36404022	2003	10
36404022	2004	12
36404022	4000	2
36404053	2010	20
36404054	2010	36
36404054	4000	20
36404056	1001_04	15
36405002	1000	17
36901951	1000	23
36901952	1001_02	17
36901955	2010	2
36930016	1001_04	8
36930016	2003	7
36930017	2003	8
36930017	2004	3
36930110	2002_02	10
36930111	2002_02	22
36990004	2003	9
36990024	4000	19
36990025	1000	28
36990025	2005	21
36990026	2005	13
36990058	4000	22
36990078	2003	23
36990083	1001_04	31
37030309	1000	12
37030408	1010	10
37030408	2010	13
37030409	1001_02	13
37040409	2002_02	26
37040409	2002_02	40
37040410	1000	26
37040410	1000	29
37040410	4000	18
37040411	1001_02	7
37040412	1000	20
37040420	1001_02	18
37040510	2003	13
37040510	2010	27
37040621	2010	32
37041020	1010	11
37060306	2002_02	38
37113508	2005	11
37155003	1001_02	20
37155011	2002_02	25
37155012	1001_02	20
37155012	1001_02	21
37155012	1001_04	33
37155025	1001_02	14
37320603	1000	24
37320603	1000	26
37321201	4000	23
37370301	1000	24
37410300	2005	11
37410303	1010	12
37411001	2010	25
37420300	1001_04	19
37420300	2002_02	38
37420401	1001_04	21

Code	No. table	Pos.
37420501	1001_04	35
37420601	2010	33
37430400	1001_04	23
37430400	2010	13
37431200	4000	24
37431600	1001_04	4
37431600	2003	18
37431600	2004	7
37431600	4000	7
37510320	1000	21
37510600	1001_04	32
37510700	2003	24
37900115	1001_02	26
37901002	1001_02	9
38120054	1010	13
38120072	1000	16
38120075	2005	4
38120076	2005	6
38120077	1001_02	12
38120086	1001_02	3
38120087	1001_02	5
38120087	2003	2
38120088	1001_02	4
38120088	2003	2
38120089	1001_02	15
38120090	1001_02	16
38120097	1000	24
38120115	2002_02	31
38120119	2002_02	30
38120120	2002_02	29
38120121	1000	10
38120126	1000	22
38120127	2007_02	32
38120163	1000	4
38120209	1001_02	24
38120211	1001_02	28
38120256	1001_02	4
38120257	1001_02	15
38120258	1001_02	16
38120317	1001_02	21
38120317	1001_04	34
38120318	1000	16
38120337	2007_02	20
38120580	2005	3
38120581	2005	5
38120589	1001_04	37
38123568	1000	13
38123852	1000	14
38221007	1000	5
38221017	1000	11
38221018	1000	11
38228072	2000_03	16
38228072	2002_02	15
38228072	2007_02	14
38228073	2001_02	1
38228073	2003	15
38228073	2004	11
38228073	2007_02	13
38228073	4000	8
38228074	2007_02	29
38903002	1000	19
38910003	1010	14
39110026	2002_02	34
39110035	2003	22
39110038	1001_04	7
39110038	2003	28
39110062	1001_02	25

Code	No. table	Pos.
39920006	1001_02	10
39920015	1000	18
45010208	1000	4
45010208	1001_02	29
45010209	1000	4
45010209	1001_02	29
69000174	1010	15
69000244	2000_03	15
69000288	2007_02	1
69000336	1000	8
69000337	2005	7
69000338	1000	8
69000339	2005	8
69000415	2000_03	2
69000417	2010	2
69000737	2007_02	12
69150018	1001_04	13
69200072	1000	19
69200072	1000	21
69200073	2005	23
69200130	1001_04	1
69200130	2007_02	41
69200133	2002_02	16
69200134	2007_02	21
69200134	2007_02	37
69200135	2007_02	16
69200135	2010	28
69200135	4000	3
69200137	2007_02	8
69200139	2007_02	17
69200140	1001_04	2
69200140	2003	14
69200140	2004	10
69200140	2004	15
69200140	4000	5
69200141	2010	31
69200142	2000_03	5
69200146	2004	10
69200147	1001_04	17
69200150	2007_02	34
69200151	2007_02	35
69200162	2001_02	5
69200164	2007_02	7
69200165	2007_02	6
69200171	2007_02	9
69200173	2000_03	12
69200174	2007_02	38
69200187	2000_03	27
69200187	2007_02	30
69200187	2007_02	40
69200188	2007_02	39
69200190	2007_02	18



# Alphanumeric index

## Contacts

### HEADQUARTERS, PRODUCTION PLANT AND R&D CENTERS

**Rancilio Group s.p.a.**  
Viale della Repubblica 40  
20010 Villastanza di Parabiago  
Milano - Italy  
Tel +39 0331 408200  
Fax +39 0331 551437  
www.ranciliogroup.com  
info@ranciliogroup.com

**Egro Suisse AG**  
Bahnhofstrasse 66  
5605 Dottikon - Switzerland  
Tel. +41 (0)56 616 95 95  
Fax +41 (0)56 616 95 97  
www.egrocoffee.com  
info@egrocoffee.com

### WORLDWIDE BRANCH LOCATIONS

#### SPAIN

RancilioGroup Espana, s.a.  
Gran Via de Carlos III, 84 3ª  
Edificio Trade  
08028 Barcelona - Spain  
Ph. +34 902 884 275  
Ph. +34 934 923 414  
Fax +34 934 965 701  
www.ranciliogroup.com  
info-es@ranciliogroup.com

#### PORTUGAL

Rancilio Group Portugal Lda  
Estrada da Falagueira nº 68 E  
2700-365 Amadora-Lisboa - Portugal  
Ph. + 351 21 019 10 91  
Fax + 351 21 019 10 91  
  
Rua Nova do Seixo 1282  
4465-706 Leca do Balio-Porto - Portugal  
Ph. + 351 22 010 14 19  
Fax + 351 22 010 14 19  
www.ranciliogroup.com  
info-pt@ranciliogroup.com

#### GERMANY

Rancilio Group Deutschland GmbH  
Talstrasse 27  
97990 Weikersheim - Germany  
Ph. +49 7934 99 29 30  
Fax +49 7934 99 29 330  
www.ranciliogroup.de  
info-de@ranciliogroup.com

#### SWITZERLAND

Egro Suisse AG  
Bahnhofstrasse 66  
5605 Dottikon - Switzerland  
Tel. +41 (0)56 616 95 95  
Fax +41 (0)56 616 95 97  
www.egrosuisse.ch  
info@egrosuisse.ch

#### USA/CANADA

RancilioGroup North America Inc.  
1340 Internationale Parkway / Suite  
200  
Woodridge, IL 60517 - U.S.A.  
Ph: +1 630 914 7900  
Fax: +1 630 914 7901  
Toll Free: +1 877 726 2454  
www.ranciliogroup.com  
info@ranciliogroupna.com



