

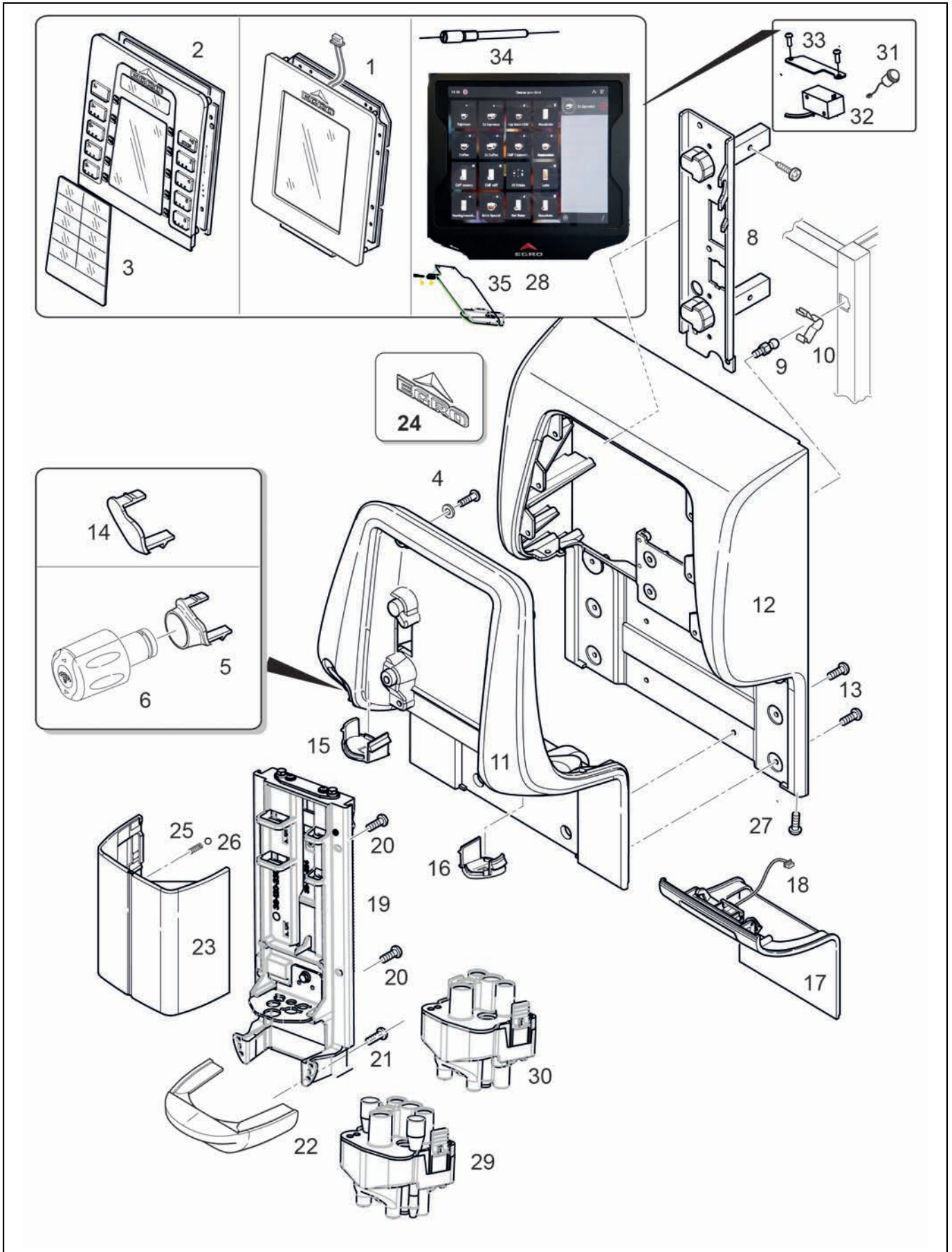


EGRO BYO TOP MILK XP NMS

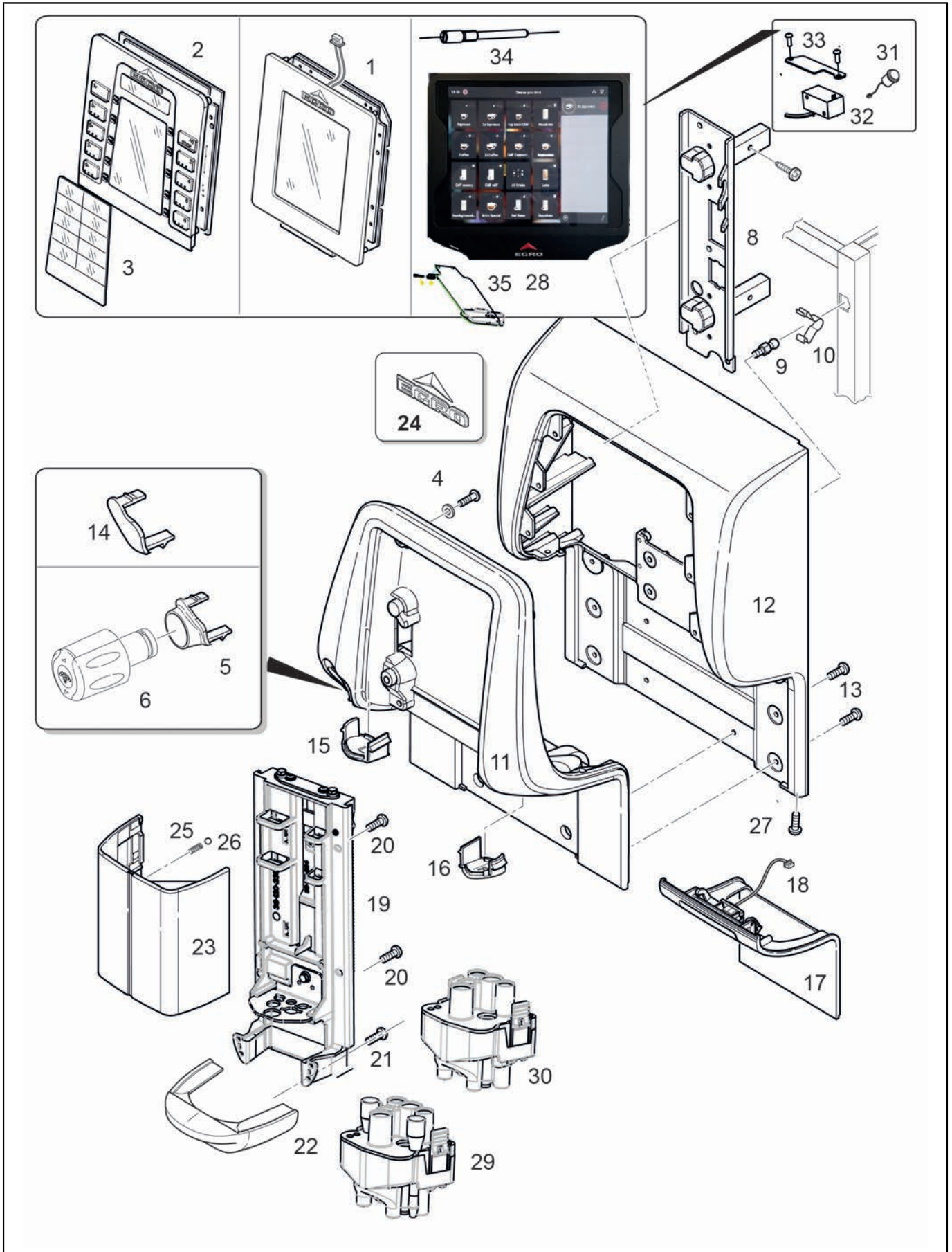


EGRO BYO

| | |
|---|----|
| Table 1001_03 - Front Panel from S/N (BYO)..... | 4 |
| Table 1001_04 - AS Automatic spout option..... | 8 |
| Table 1010 - GUM grounds drawer under machine..... | 10 |
| Table 1000 - Housing..... | 12 |
| Table 2001_02 - Water/Steam Lines from S/N 1207595..... | 16 |
| Table 2000_03 - Coffee line from S/N 12009304 (DHE boiler)..... | 18 |
| Table 2006 - Steam Boiler - steam valve block XP/QM..... | 22 |
| Table 2005 - Bean Hopper-Grinders..... | 26 |
| Table 2002_02 - Coffee Brewing Group (BC18) from S/N 12009467 | 28 |
| Table 2004 - Water spout..... | 32 |
| Table 2003 - Clever Steam Tap | 34 |
| Table 2007_02 - Water Inlet System from S/N 12007595..... | 36 |
| Table 3000_03 - Electronic Board 2 Gen..... | 40 |
| Table 3001 - CPU Board Connections..... | 42 |
| Table 6001_02 - MILK SYSTEM XP NMS..... | 44 |
| Table 4000 - ISTEAM ONE..... | 46 |
| Alphanumeric index..... | 48 |

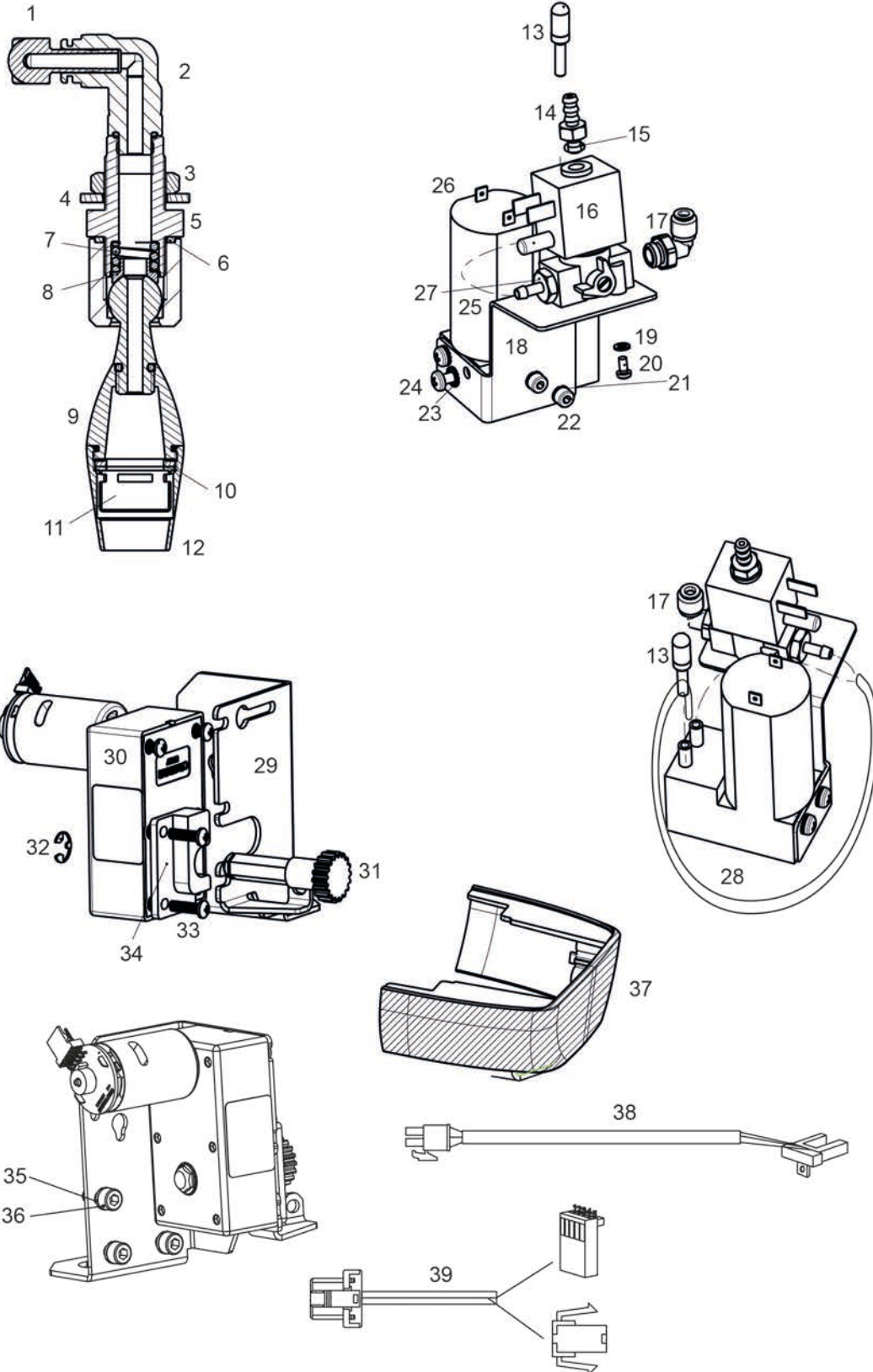


| POS. | CODE | DESCRIPTION | NOTES |
|------|-----------|--|--------------------------|
| 1 | 10700989 | Kit Touch Screen Egro One Capacitive | |
| 2 | 10705964 | Keypad One | |
| 3 | 38120086 | Buttons Slider Label | |
| 4 | 37155025 | Screw 4,2X25 Tc Cros | |
| 5 | 38120087 | Cover | |
| 6 | 10060189 | Steam Tap/16 | |
| 7 | 37040411 | Screw M4X 10Mm Tsp Cross Inox | |
| 8 | 10705710 | Hing Holder Plate | |
| 9 | 37901002 | Lock Bolt | |
| 10 | 39920006 | Clamp | |
| 11 | 38120077 | Control Panel One | |
| 12 | 21000010B | Front Panel One Black | |
| 13 | 37030409 | Screw M4 X 8 Tcb | |
| 14 | 38120088 | Cover Steam Handel | |
| 15 | 38120089 | Cover Steam Spout | |
| | 38120256 | Front Steam Cap Two | |
| | 38120257 | Lower Steam Cap Two | |
| | 38120258 | Water Cap Two | |
| 16 | 38120090 | Cover Hot Water Spout | |
| | 38120258 | Water Cap Two | |
| 17 | 10705592 | Usb Wired Assy One | |
| | 32331410 | USB PROTECTION (SELF) | |
| | 34070075 | Wiring Set J6 With Usb Connector (Touch Pad) | |
| | 36901952 | Rubber Seal Touchscreen One Touch | |
| 18 | 37040420 | Hex Socket Head Screw M4 X 20 Mm | |
| 19 | 37040420 | Hex Socket Head Screw M4 X 20 Mm | |
| 20 | 00045532 | Glider | |
| | 32331775 | Bracket Powder Outlet | |
| | 32331779 | Coffee Outlet Spring Bracket | |
| | 37155003 | Screw Atf Pt 3X6 Tcb Ph | |
| | 37155012 | Screw 4 X 14 Tcb Ph | |
| 21 | 00030511 | Screw | |
| 22 | 38120211 | Handle Brewing Outlet | |
| 23 | 10905117 | Cover | |
| | 10905122 | Cover Quick Milk | |
| 24 | 10701391 | Standard Spout D. 6.3Mm | |
| | 38120209 | Lower Spout Nms D5.5 | only pinch valve version |
| | 45010208 | Sticker "Egro Logo" Small | |
| | 45010209 | Sticker "Egro Logo" Big | |
| 25 | 39110062 | At Ball Spring | |
| 26 | 37900115 | Ball 1/4 100 | |
| 27 | 37040420 | Hex Socket Head Screw M4 X 20 Mm | |
| 28 | 10110958 | Wiring Tablet Byo Fix | |
| | 10701383 | TABLET BYO FIX 10.1 ASSY. | |
| | 32332149 | Set Of 6 Pin For Byo Tablet | |
| | 34200328 | Clamp 4 Pole | |
| 29 | 10701391 | Standard Spout D. 6.3Mm | |
| 30 | 10701392 | Cmf Spout D.6.3Mm | |
| 31 | 34070236 | Cable Button Display Byo | |
| 32 | 34070235 | Locking Solenoid Byo Fix | |
| 33 | 32332120 | Plate For Locking Solenoid Byo Fix | |
| | 37113508 | Selfscrew M3X8 | |
| 34 | 23000333 | Upper Hinge Pin Byo | |
| 35 | 10701292 | Keypad Byo Bracket | |

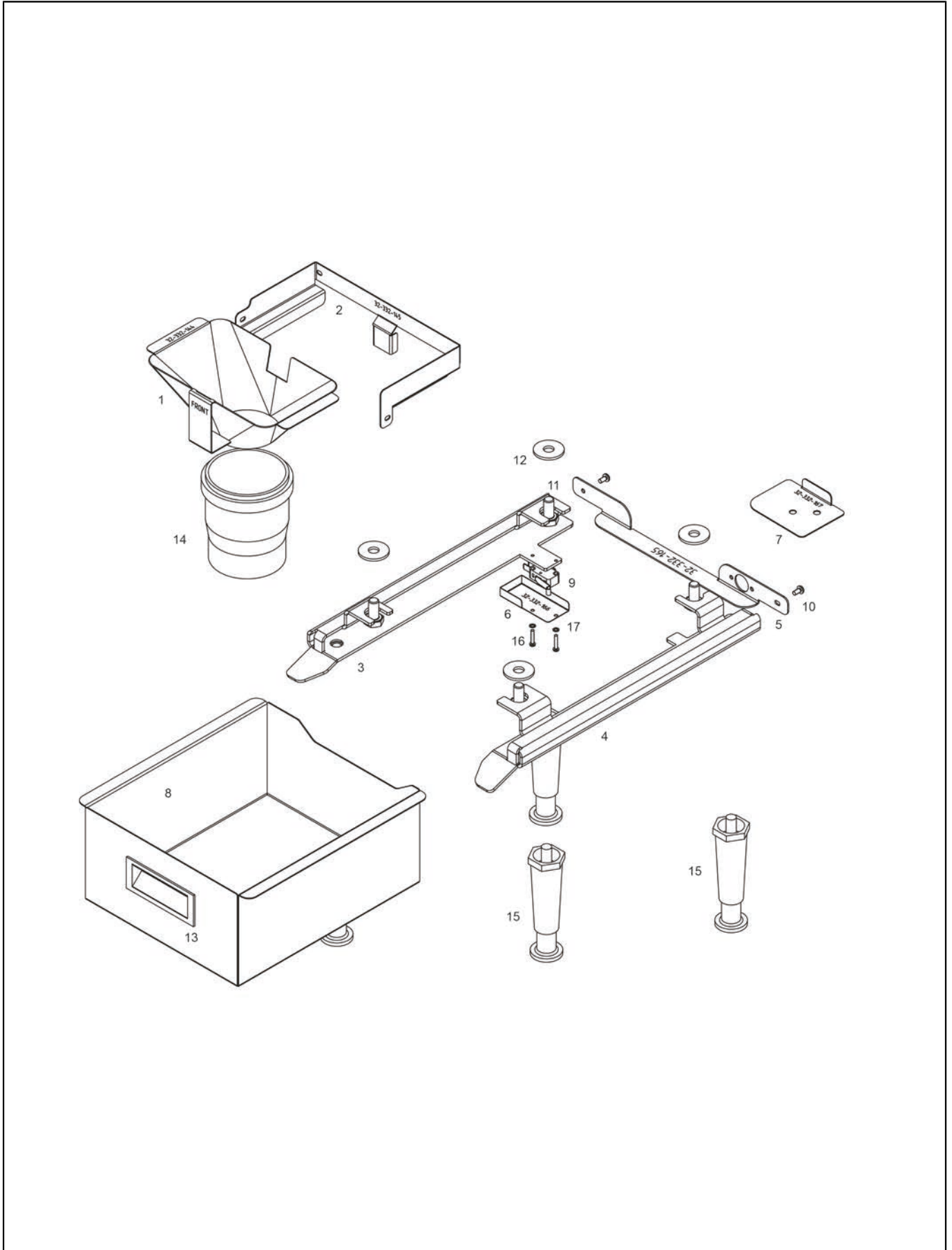


| POS. | CODE | DESCRIPTION | NOTES |
|------|----------|-------------------------|-------|
| | 10701313 | Tablet Byo Flex Bracket | |

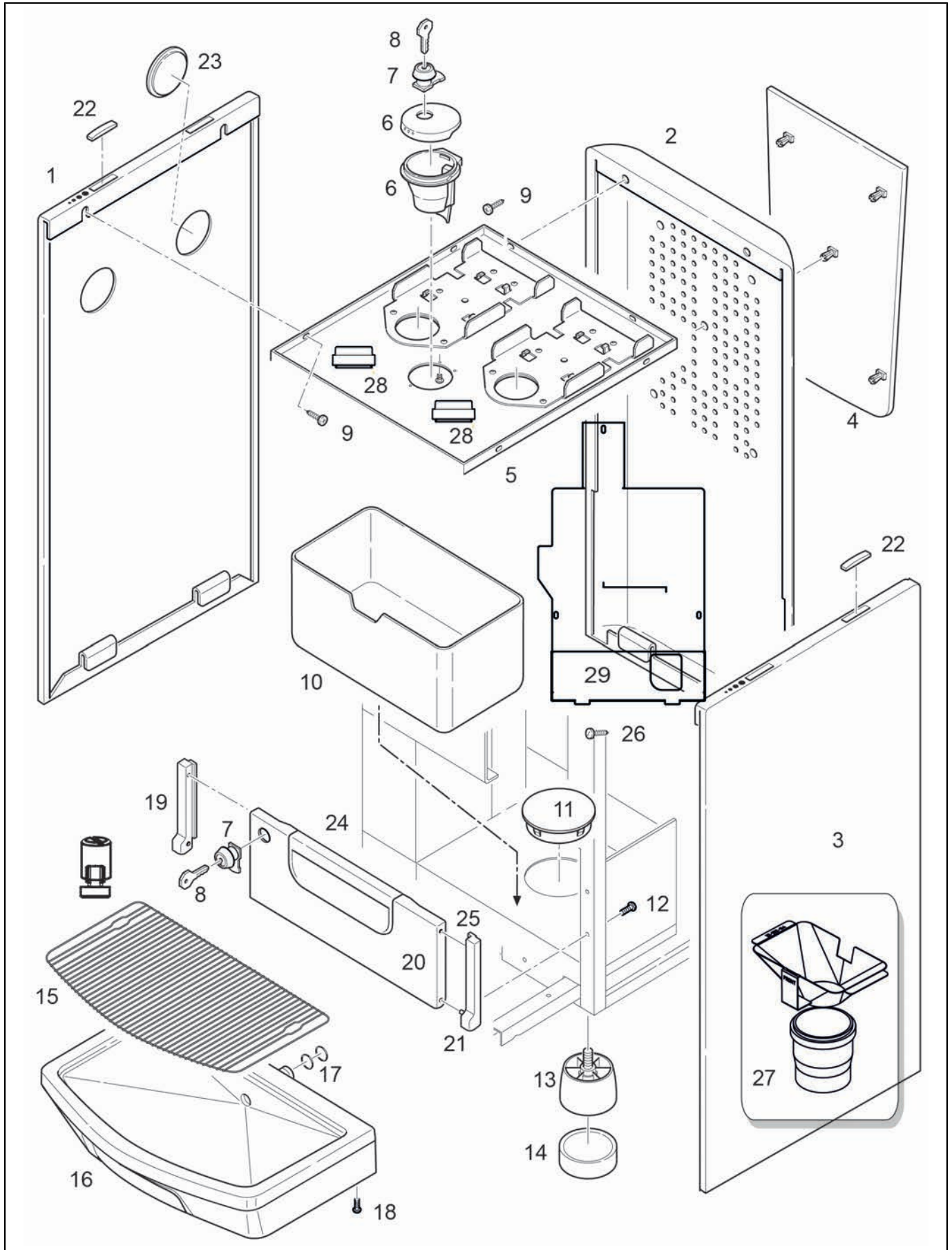
AS automatic spout option



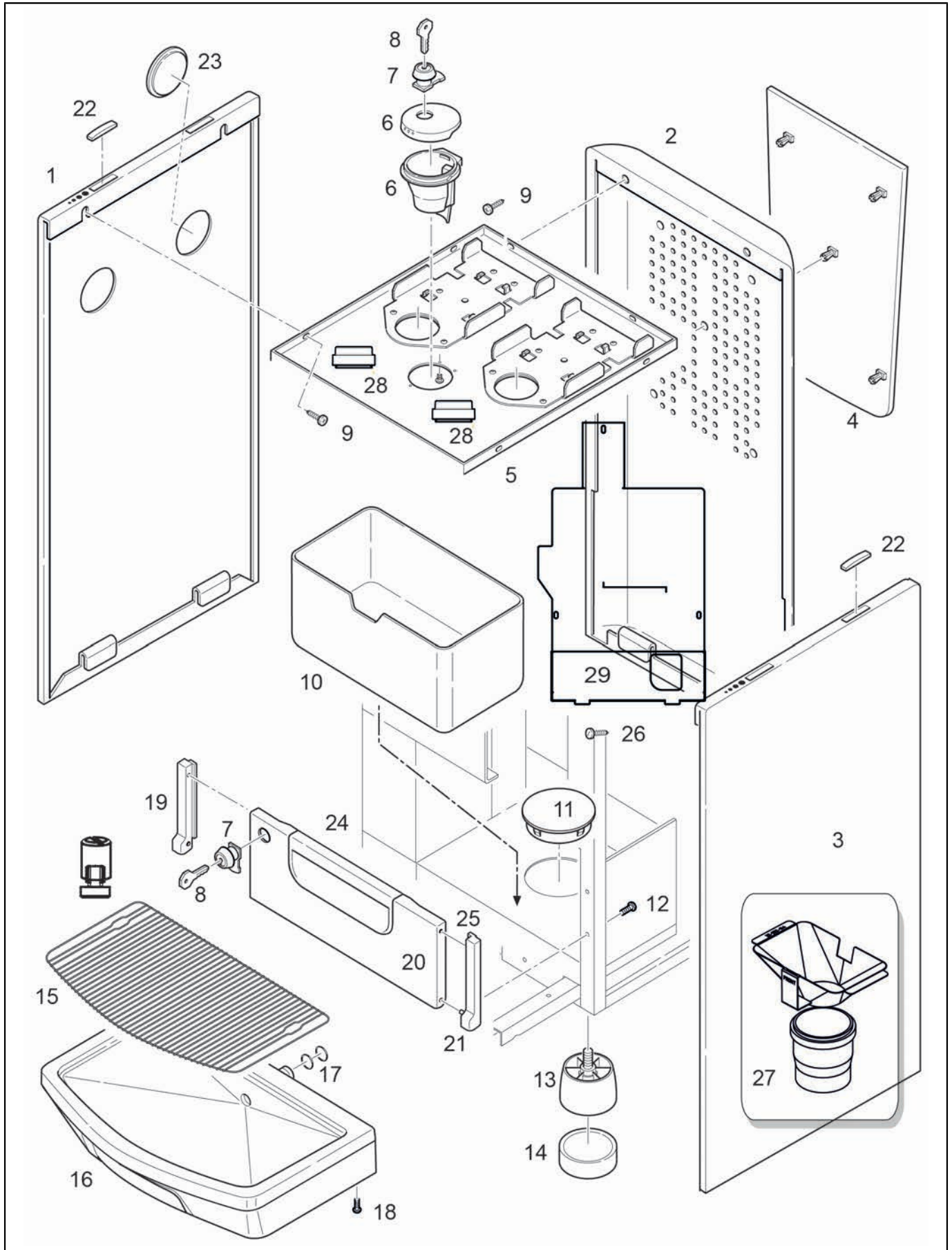
| POS. | CODE | DESCRIPTION | NOTES |
|------|--------------|--|-------|
| 1 | 69200130 | Elbow Connector 6X6 | |
| 2 | 69200140 | Elbow Connector 6 X G1/8 Ppsu | |
| 3 | 26220005 | Flat Nut 3/8 | |
| 4 | 37431600 | Outer Toothed Washer D16 | |
| 5 | 23000332 | Right Water Wand Connection One As | |
| 6 | 36220009 | Gasket Nut Note Teflon | |
| 7 | 39110038 | Spring Connection Steam Tap | |
| 8 | 36930016 | Gasket Teflon Connection Steam Wand | |
| 9 | 10049014 | Water Outlet | |
| | 36404022 | O-RING 6,4 X 1,9 R5A | |
| 10 | 36301040 | O-Ring Filter Jet Breaker | |
| 11 | 25135019 | Mixing Nozzle | |
| 12 | 25135017 | Upperpart Water Sprayer | |
| 13 | 69150018 | Filter Airpump Nms | |
| 14 | 23000277 | Flow Limiter D. 3Mm Connection M5 X 6 | |
| 15 | 36404056 | O-Ring 3,68X1,78 Epdm 70Sh Nsf Teflon 2015 | |
| 16 | 34040158 | Valve 3/2 24V 5.5W | |
| 17 | 69200147 | Elbow Connector 4 X G1/8 Ppsu Small | |
| 18 | 32332077 | Air Pump Bracket As | |
| 19 | 37420300 | Elastic Washer 3 X 0,8 | |
| 20 | 00001062 | Raised Cheese Head Screw M3 X 6 Mm | |
| 21 | 37420401 | Elastic Washer Diam.4 | |
| 22 | 00100001.208 | Screw M4X8 Tcei Inox | |
| 23 | 37430400 | Toothed Washer D4 | |
| 24 | 00001069 | Screw Tcb Cross Ph Inox M4X6 | |
| 25 | 34011038A | Air Pump 24Vdc/16 | |
| 26 | 34200358 | COPRIPUNTALE D.4.8 L.13 | |
| 27 | 00054938 | Threaded Male Nipple With Washerg 1/8 And Gasket | |
| 28 | 00049209 | Silicon Hose D. 7,0 X 3,0 Mm | |
| 29 | 32332038 | As Motor Bracket | |
| 30 | 34010014 | Encoder Motor 24V As | |
| 31 | 36990083 | Gear Wheel With Shaft | |
| 32 | 37510600 | Snap Ring D. 6 | |
| 33 | 37155012 | Screw 4 X 14 Tcb Ph | |
| 34 | 38120317 | Gear Bearing Holder | |
| 35 | 37420501 | Elastic Washer Diam.5 | |
| 36 | 00000932 | Hex Socket Head Screw M5 X 12 Mm | |
| 37 | 38120589 | Aesthetic Protection Outlet One As | |
| 38 | 34070313 | Sensor As Slider | |
| 39 | 10110961 | Wiring As | |



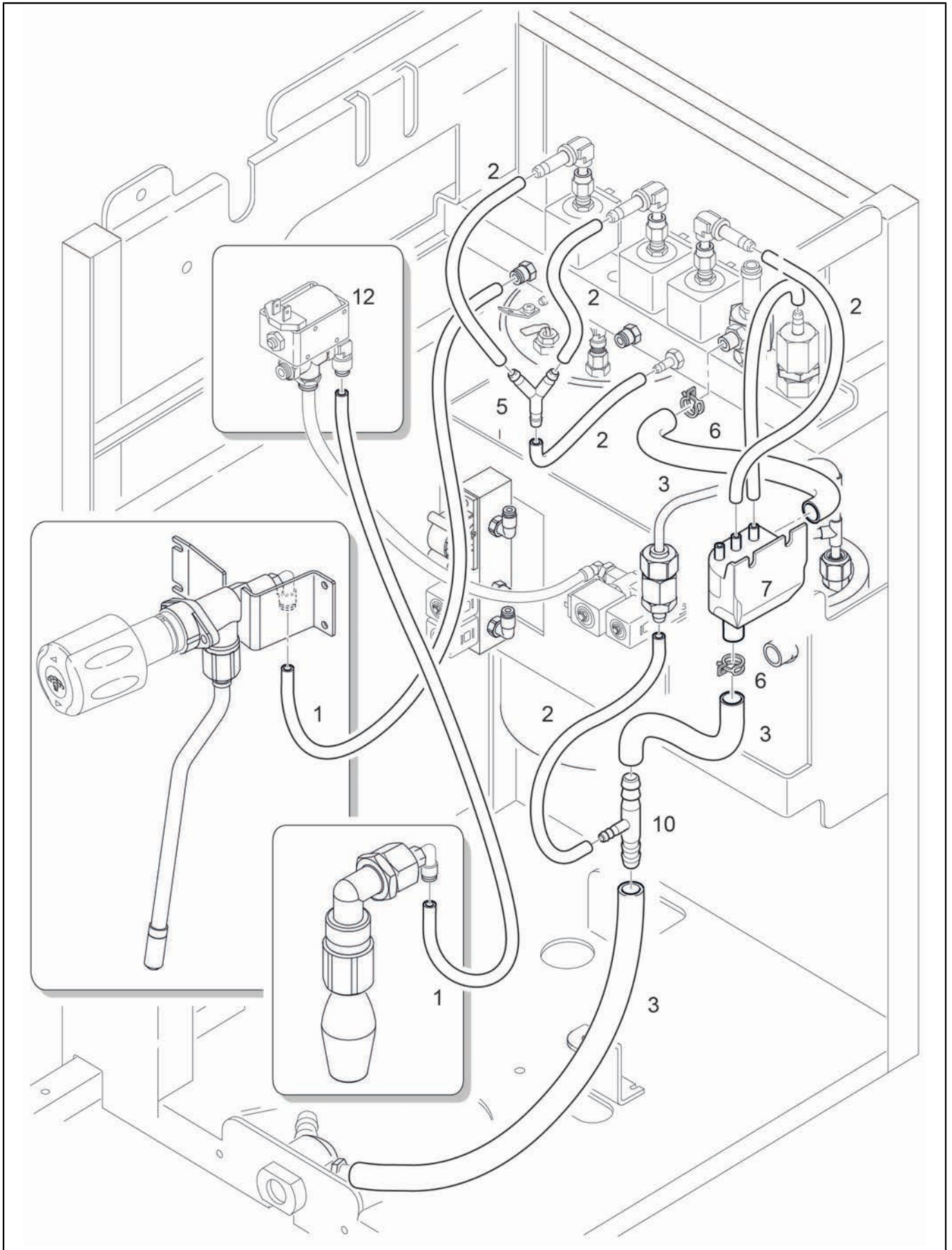
| POS. | CODE | DESCRIPTION | NOTES |
|------|----------|--|-------|
| 1 | 10701395 | Retrofit Kit Gum | |
| | 32332144 | IMBUTO SCARICO FONDI CAFFE'ONE/2016-AI- | |
| 2 | 32332145 | SUPPORTO IMBUTO SCARICO FONDI CAFFE'ONE/2016-AI- | |
| 3 | 32332163 | SUPPORTO CASSETTO FONDI SX ONE/BYO-AI- | |
| 4 | 32332164 | SUPPORTO CASSETTO FONDI DX ONE/BYO-AI- | |
| 5 | 32332165 | SUPPORTO CAVO/TUBO CASSETTO FONDI ONE/BYO-AI- | |
| 6 | 32332166 | Switch Safety Cover | |
| 7 | 32332167 | COPERTURA DI SICUREZZA ELETTRICA ONE/BYO-AI- | |
| 8 | 32332168 | Coffee Waste Drawe Under Machine One/Byo | |
| 9 | 34100021 | Micro Switch | |
| 10 | 37030408 | Screw M 4 X 8 | |
| 11 | 37041020 | VITE M10X20 TE INOX U5739 | |
| 12 | 37410303 | RONDELLA PIANA 10,5X30X2,5 FEZN | |
| 13 | 38120054 | Handle Coffee Waste Drawer | |
| 14 | 38910003 | Drain Pipe Coffee 75X100Mm | |
| 15 | 69000174 | Machine Foot High | |
| 16 | 00001065 | Raised Cheese Head Screw M3 X 16 Mm | |
| 17 | 00030494 | Lock Washerm3 | |



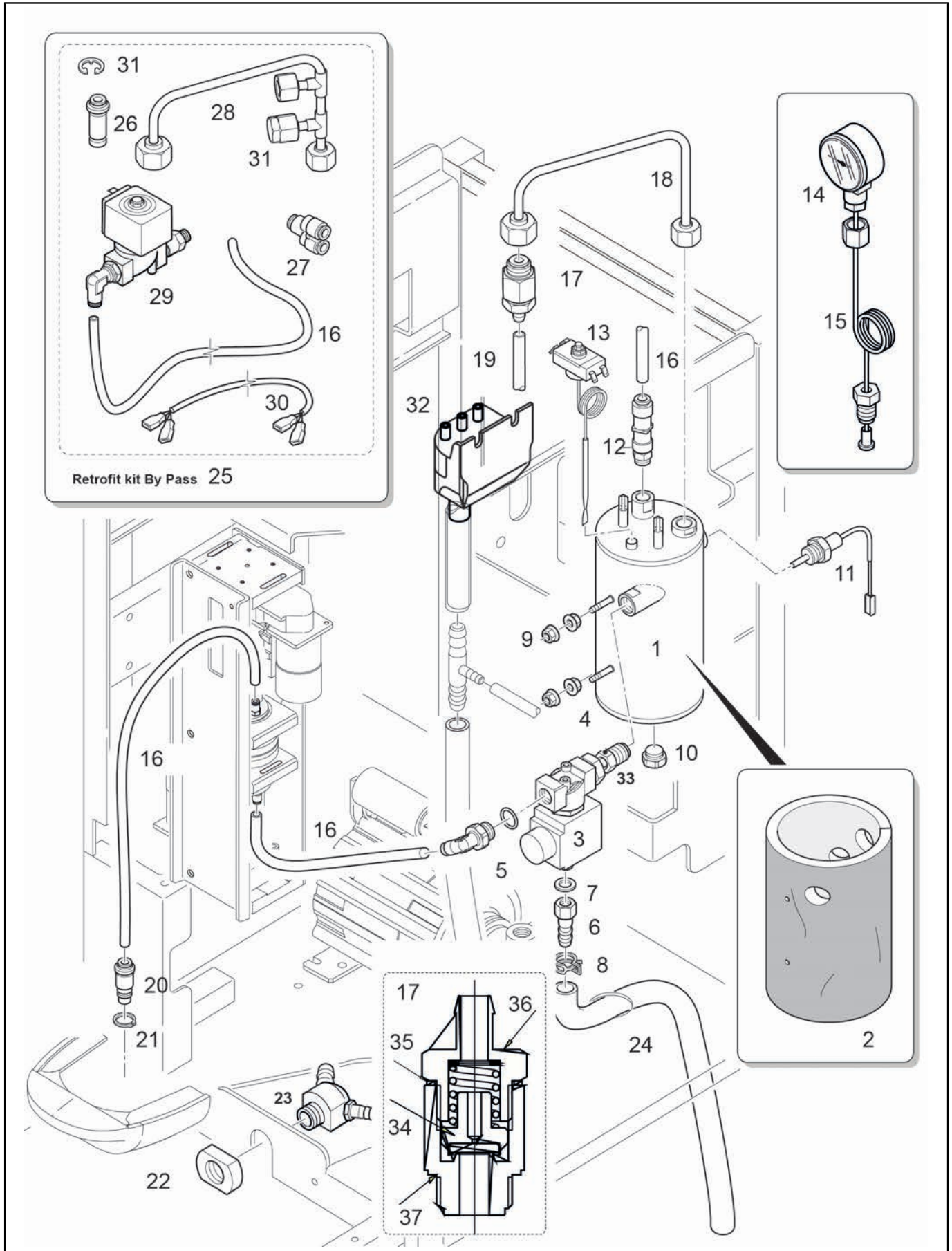
| POS. | CODE | DESCRIPTION | NOTES |
|------|--------------|---|-------|
| 1 | 10705966 | Kit Side Panel Grey With Caps | |
| | 10705968 | Kit Side Panel Grey With Holes And Caps | |
| 2 | 32551057 | Rear Panel | |
| | 32551057A | REAR PANEL CUPHEATER-FRIDGE BLACK ONE | |
| 3 | 10705966 | Kit Side Panel Grey With Caps | |
| | 10705979 | Kit Side Panel Right With Caps Powd. Mod. | |
| 4 | 38120163 | Egro One Shield | |
| | 45010208 | Sticker "Egro Logo" Small | |
| | 45010209 | Sticker "Egro Logo" Big | |
| 5 | 10705706 | Top Lid 2 Grinders | |
| | 10705717 | TOP LID 1 GRINDER | |
| | 38221007 | Cap Diam.11 | |
| 6 | 10705707 | Cover For Powder Coffee Inlet Without Lock | |
| | 10705708 | Coffee Powder Inlet Self Assy | |
| 7 | 10705528 | Ronis Lock | |
| 8 | 10705529 | Lock Assay. Ronis M15X17,5 With Hook 25.5Mm | |
| | 69000336 | Lock 90 17 X 16 | |
| | 69000338 | Serial Key Cod 1000 | |
| 9 | 00046844 | Screw M4 X 8 Mm | |
| 10 | 38120121 | Coffee Waste Drawer | |
| 11 | 38221017 | Cap D. 54 Mm | |
| | 38221018 | Cap D. 85.7 Mm | |
| 12 | 37030309 | Screw M 3 X 6 Tfl Ph | |
| 13 | 38123568 | Machine Foot | |
| 14 | 38123852 | Riser For Machine Foot | |
| 15 | 00054649 | Spacer Pin To Drip Grid M 8 X 15 Mm | |
| | 00055557 | Cup Guide Set | |
| | 10701413 | Kit Cup Holder One | |
| | 10781311 | Drain Tray Grid | |
| 16 | 00046069 | Crossed Raised Cheese Head Screw 4 X 14 Mm | |
| | 10705801 | Drain Tray | |
| | 38120072 | Waste Drain Tray Insert One | |
| | 38120318 | DRAIN TRAY LOGO BYO | |
| 17 | 00002240 | O-Ring 14 X 1,78 Epdm 70Sh | |
| | 36405002 | O-Ring Epdm 70Sh 3050 Gray | |
| 18 | 00046069 | Crossed Raised Cheese Head Screw 4 X 14 Mm | |
| | 39920015 | Clamp | |
| 19 | 00100997.001 | Bar Left | |
| | 38903002 | BOCCOLA PERNO SPORTELLO FONDI | |
| | 69200072 | PRESSORE D.6 ONE | |
| 20 | 00100986.001 | Drawer Door With Lock | |
| | 00100987.001 | Drawer Door Assy | |
| | 32331419 | Waste Bin Door One | |
| | 37040412 | Screw M4 X 10 Tsp Ph | |
| 21 | 00100996.001 | Bar Right | |
| | 23000136 | Coffee Waste Drawer Hinge | |
| | 37510320 | Snap Ring D. 3.2 | |
| | 69200072 | PRESSORE D.6 ONE | |
| 22 | 38120126 | Cap Side Panel One | |
| 23 | 36901951 | Cap For Side Panel Holes | |
| 24 | 37320603 | Group Fixing Cage Nut M4 | |
| | 37370301 | Nut M3 Inox | |
| | 38120097 | Drawer Handle | |
| 25 | 10700997 | Kit Grounds Drawer Block | |



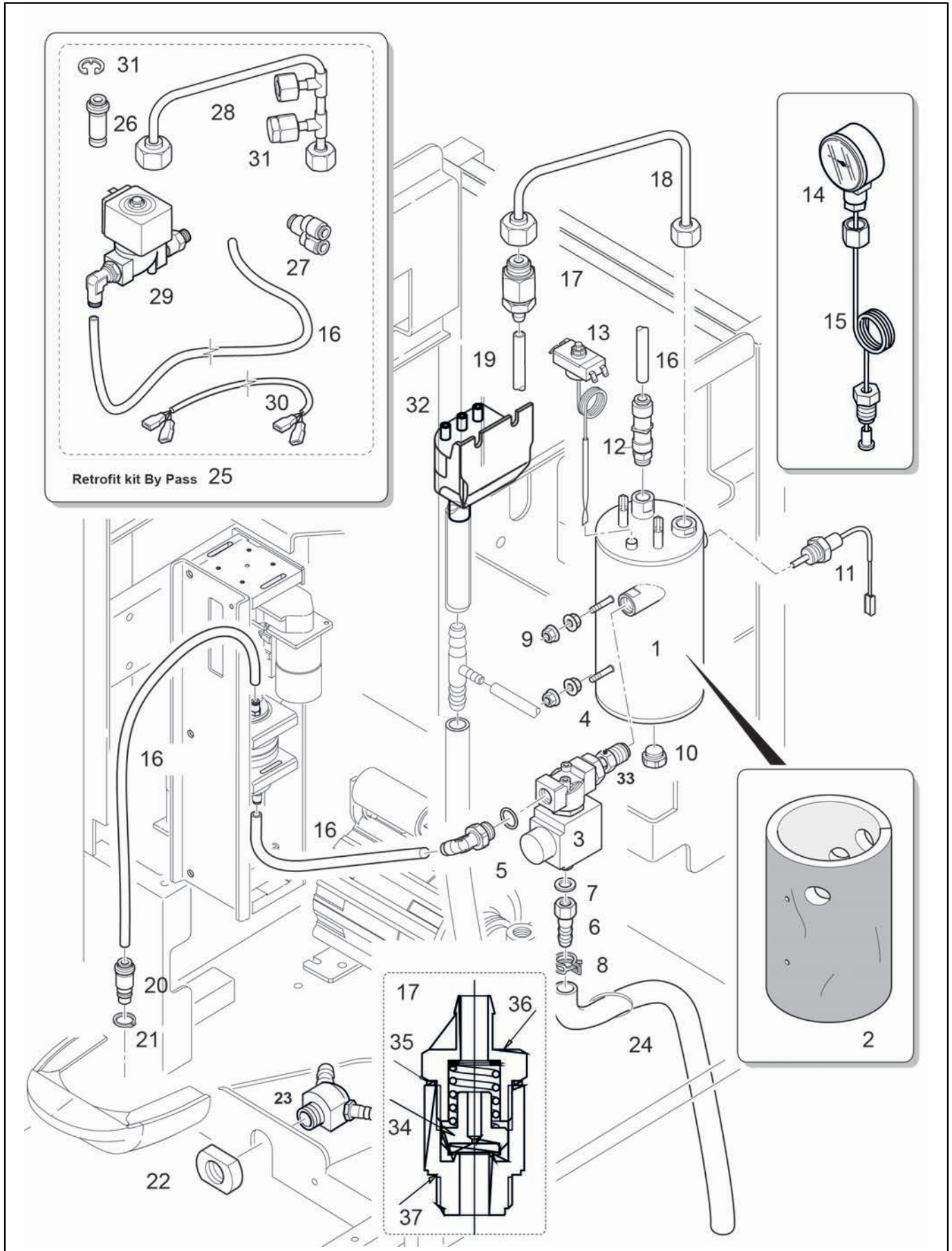
| POS. | CODE | DESCRIPTION | NOTES |
|------|----------|---|-------|
| 26 | 32331435 | C-Bracket For Connecting With Add-Ons | |
| | 37040410 | Screw M 4 X 10 | |
| | 37320603 | Group Fixing Cage Nut M4 | |
| 27 | 10701527 | Kit Direct Grounds Funnel 2018 | |
| 28 | 36990025 | SEAL (COLLAR) / GRINDER | |
| 29 | 32331698 | CHIUSURA POSTER.CASSETTO FONDI CAFFE'ONE -AI- | |
| | 37040410 | Screw M 4 X 10 | |



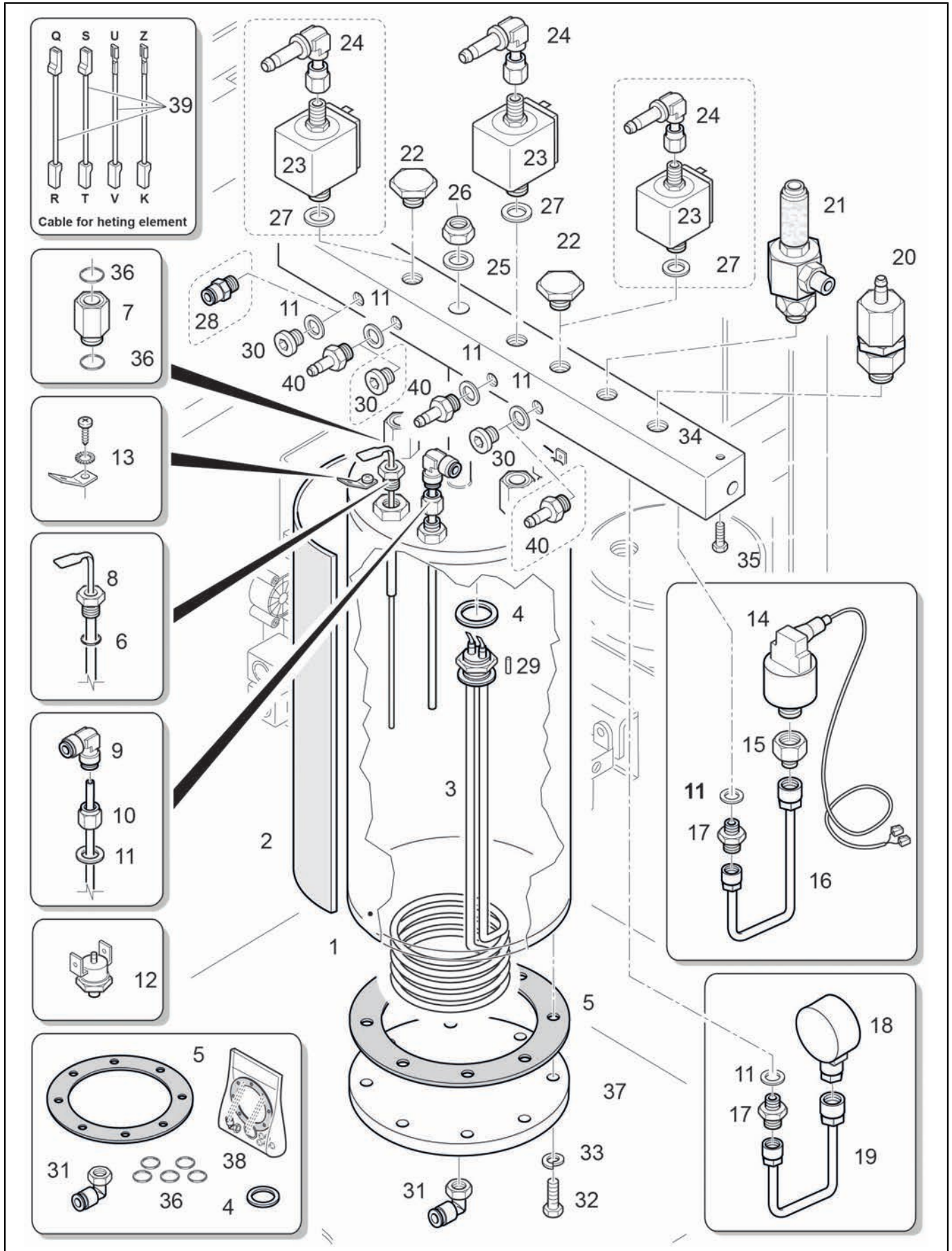
| POS. | CODE | DESCRIPTION | NOTES |
|------|--------------|--|--|
| 1 | 38228073 | Teflon Hose Fep D. 6 X 4 | |
| 2 | 00004474 | Silicon Hose D. 8 X 5 Mm | |
| 3 | 00004473 | Silicon Hose D. 14 X 9 Mm | |
| | 10700281 | Drain Pipe Kit | |
| 5 | 69200162 | Y Connection Silicon Pipe D.6 | replacement for 69200118 / Ersatz für 69200118 |
| 6 | 00055795 | Wire Hose Clamp 17,3 Mm | |
| 7 | 10700232 | Valve Drain Tray | |
| 10 | 00045714 | Reducing T Connector D. 12 - 6 - 12 Mm | |
| 11 | 00045714 | Reducing T Connector D. 12 - 6 - 12 Mm | |
| | 00100862.003 | Drain Pipe Kit | |
| 12 | 34040156 | Valve 3/2 24V | |



| POS. | CODE | DESCRIPTION | NOTES |
|------|--------------|---|--|
| 1 | 10020002 | Boiler 230V 2500W Dhe Assy. | |
| | 10020038 | Boiler 230V 2500W Coffee Incoloy 800 | |
| | 10020038 | Boiler 230V 2500W Coffee Incoloy 800 | |
| | 10701094 | Retrofit Kit Coffee Boiler 2,5Kw 0,5L Dhe | |
| 2 | 69000415 | Boiler Insulation | |
| 3 | 00100147.001 | Operator Kit 3/2 Way Water T30 (Acl) | to be used on machine before S/N 12011960 PIN 119415 da utilizzare su macchine precedenti la N/F 12011960 PIN 119415 |
| | 00100149.001 | Plunger 3/2 Water T30 (Acl) | to be used on machine before S/N 12011960 PIN 119415 da utilizzare su macchine precedenti la N/F 12011960 PIN 119415 |
| | 10060607 | Electrovalve Coffee Boiler | |
| | 10060607 | Electrovalve Coffee Boiler | |
| | 34040178 | Plunger 3/2 T30 (Sirai) MI316 | to be used on machine after S/N 12011960 PIN 119415 da utilizzare su macchine successive la N/F 12011960 PIN 119415 |
| | 34040181 | Operator Kit 3/2 Ways T30 24V Sirai | to be used on machine after S/N 12011960 PIN 119415 da utilizzare su macchine successive la N/F 12011960 PIN 119415 |
| | 34040184 | Valve 3/2 24V T30 (Sirai) | f |
| 4 | 10042199 | Pipe Valve-Boiler Coffee Zero | |
| 5 | 69200142 | Elbow Connector G1/4X4 Ppsu | |
| 6 | 23000322 | Rubber Holder Valve Coffee Zero-One | |
| 7 | 27350014 | Copper Gasket 12.5X9.8X1.5 | |
| 8 | 00055794 | Wire Hose Clamp 159 Mm | |
| 9 | 00001521 | Keps Nut M5 | |
| 10 | 23000309 | Plug With Ogive 1/8" | |
| 11 | 10110729 | Extension Cable Temperature Sensor | |
| | 10701642 | Temperature Sensor With O-Ring | |
| 12 | 69200173 | Check Valve 4 X G1/8 | replacement for ../ Ersatz für 69200143 |
| 13 | 32331780 | Thermostat Fixing Bracket | |
| | 34200323 | High Limit Thermostat 140/15 220V | |
| 14 | 35002509 | Manometer Pumpe 0-16 D. 44 | |
| | 35002513 | Manometer Pumpe 0-16 | only used at black frame / nur verwendet bei schwarzem Gehäuse |
| 15 | 69000244 | Pipe Pump Manometer | |
| 16 | 38228072 | Teflon Hose Fep D. 4,0 X 2,5 | |
| 17 | 10060009 | Gasket Holder With Viton Gasket | |
| | 10060479 | Expansion Valve 8 X G 3/8 | |
| | 27350001 | Gasket 3/8 X 1 Copper | |
| 18 | 10042099 | PIPE EXPANSION VALVE COFFEE BOILER | |
| 19 | 00004474 | Silicon Hose D. 8 X 5 Mm | |
| 20 | 00100038.001 | O-Ring 8,73 X 1,78 Mvq | |
| | 10701020 | Coffee Injector | |
| 21 | 00100186.013 | Snap Ring D. 13 Inox | |
| 22 | 23000135 | Nut Drain Connection | |
| 23 | 10705809 | Drain Tray Connection | |
| 24 | 00004473 | Silicon Hose D. 14 X 9 Mm | |
| 25 | 10701148 | Retrofit Kit Bypass With 2,5Kw Boiler | |
| 26 | 00100043.001 | O-Ring 6,75 X 1,78 Mvq | |
| | 10701019 | Central Injector/14 | |
| 27 | 69200187 | Y Connector D.4 Ppsu | |

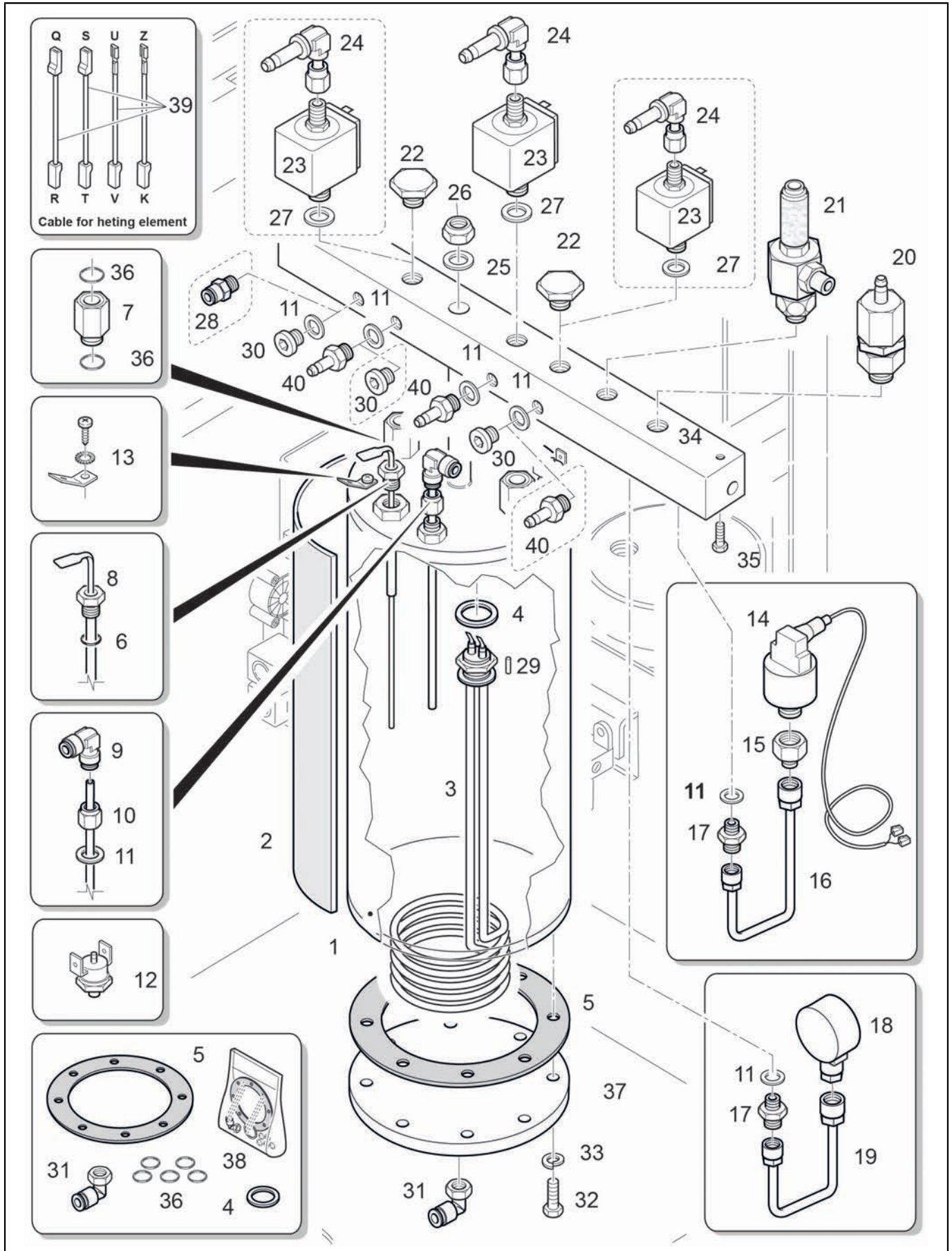


| POS. | CODE | DESCRIPTION | NOTES |
|------|--------------|--------------------------------------|--|
| 28 | 10046062 | Pipe Expansion Valve+Boiler Coffee | |
| 29 | 00100559.001 | Operator Kit 2/2 Way Water T30 (Acl) | to be used on machine before S/N 12011960 PIN 119415 da utilizzare su macchine precedenti la N/F 12011960 PIN 119415 |
| | 00100560.001 | Plunger 2/2 Water T30 (Acl) | to be used on machine before S/N 12011960 PIN 119415 da utilizzare su macchine precedenti la N/F 12011960 PIN 119415 |
| | 10060606 | Electrovalve Powder-Bypass | |
| | 34040177 | Plunger 2/2 T30 (Sirai) MI316 | |
| | 34040183 | Valve 2/2 24V T30 (Sirai) | |
| 30 | 10110868 | Wiring By-Pass Valve Sirai | |
| 31 | 23000289 | Closing Pin G1/4 | |
| 32 | 10700232 | Valve Drain Tray | |
| 33 | 10042199 | Pipe Valve-Boiler Coffee Zero | |
| 34 | 10060006 | Nut And Steam Cock Gasket | |
| 35 | 27350001 | Gasket 3/8 X 1 Copper | |
| 36 | 23220001 | Rubber Holder | |
| 37 | 23220014 | L4 RUBBER-HOLDER | |



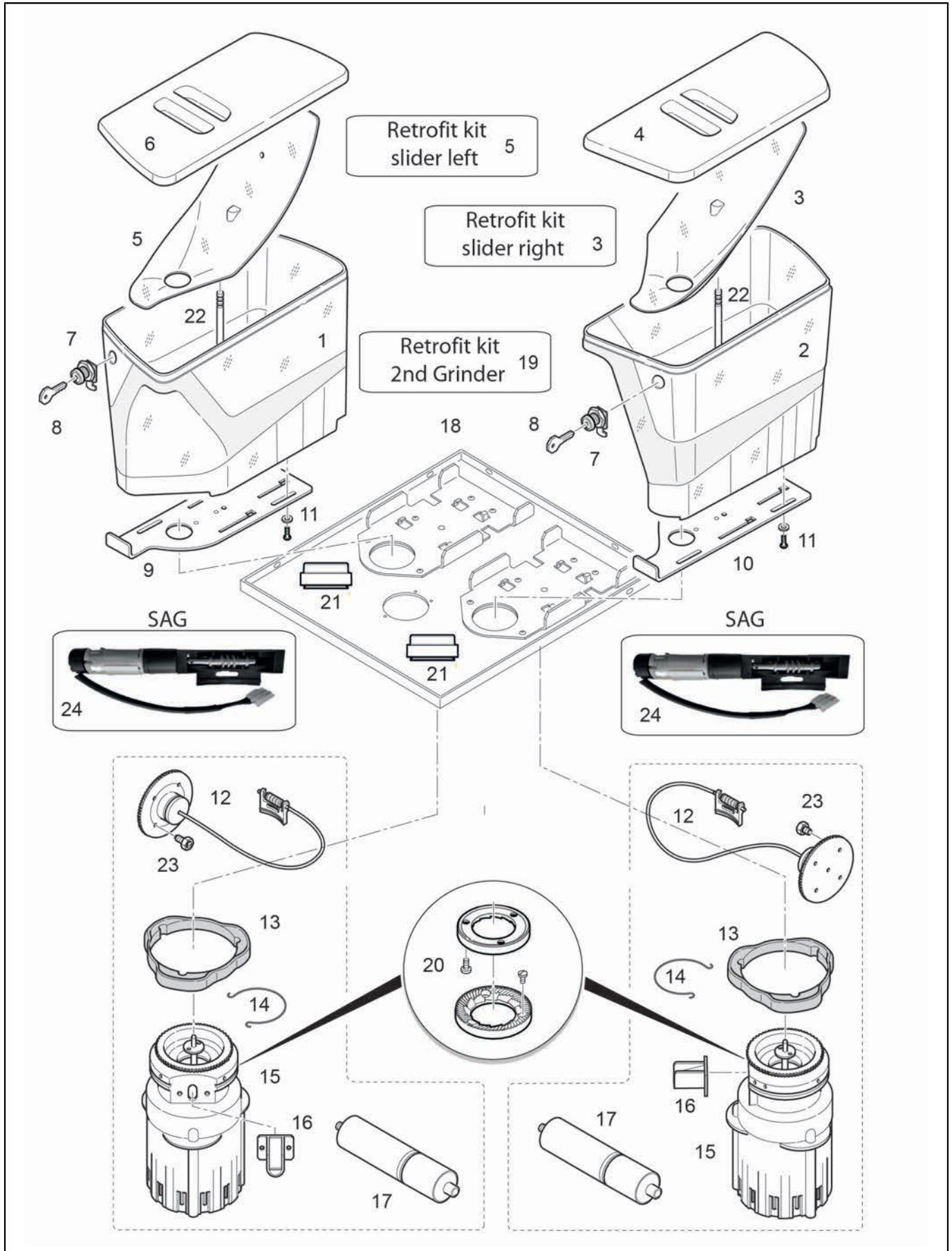
Steam Boiler - steam valve block XP/QM

| POS. | CODE | DESCRIPTION | NOTES |
|------|--------------|---|--|
| 1 | 00100802.001 | Steam Boiler Assy. 3 Kw | FOR ALL OVER THE WORLD EXCEPT FOR SINGAPORE MARKET |
| | 10020018 | Steam Boiler Assy. 2,5Kw | ONLY FOR SINGAPORE VERSION |
| | 10701374 | ASSIEME CALDAIA VAPORE ONE 3KW CAPILARY | |
| 2 | 36901955 | Sticky Tape 3M 50Mmx55Mt | |
| | 69000417 | Boiler Insulation Steam Boiler | |
| 3 | 10701173 | HEATING ELEMENT WITH GASKET 2500W/230V ONE | ONLY FOR SINGAPORE VERSION |
| | 10701254 | Heating Element/15 230V/3Kw+Gasket One-S50 | FOR ALL OVER THE WORLD EXCEPT FOR SINGAPORE |
| 4 | 36201035 | Gasket Steam Boiler Resistance Garlock Egro One | |
| 5 | 00100351.001 | Gasket Steam Boiler | |
| 6 | 00002240 | O-Ring 14 X 1,78 Epdm 70Sh | |
| 7 | 00100267.001 | Steam Connection | |
| 8 | 00100268.002 | Level Sensor 140 Mm With Gasketg1/4 | |
| 9 | 00100793.001 | Elbow Connector 6 X 6 Mm | |
| 10 | 30001047 | Suction Pipe | |
| 11 | 27350014 | Copper Gasket 12.5X9.8X1.5 | |
| 12 | 00100300.001 | Temperature Limiter 140 C | |
| 13 | 34160024 | Lamellar Contact | |
| | 37030408 | Screw M 4 X 8 | |
| | 37430400 | Toothed Washer D4 | |
| 14 | 10120004 | Cable Pressure Probe | |
| | 34200288 | Pressure Sensor | |
| 15 | 00100869.001 | Adapter Nipple D. G 1/4 X 3/8 | |
| 16 | 10705232 | Pipe For Pressure Transducer | |
| 17 | 00100059.001 | Double Nipple G 1/4 X G 1/4 | |
| 18 | 00100236.001 | Manometer 4 Bar | |
| 19 | 10705233 | Pipe For Manometer | |
| 20 | 00044464 | Gasket 16,5 X 13,2 X 1,5 Copper | |
| | 10060060 | Vacuum Valve | |
| | 36130008 | Seat Teflon Nsf | |
| | 36220009 | Gasket Nut Note Teflon | |
| | 36404013 | O-Ring Silicone 2031 | |
| | 36404053 | O-Ring 5,28 X 1,78 Epdm | |
| 21 | 00010152 | Threaded Nipple | |
| | 00019974 | Gasket 14,8 X 9 X 2 Copper | |
| | 00027170 | Union Nut G3/8 X 13,5Mm | |
| | 00039067 | Relief Valve, Steam | |
| | 00045682 | Splash Guard-Hose D. 16,0 X 45,0 | |
| 22 | 00060160 | Brass Closing Screw | |
| 23 | 00100016.005 | Plunger 3/2 Steam T30 (Acl) | |
| | 00100116.005 | Operator Kit 3/2 Ways Steam (Acl) T30 | |
| 24 | 00057912 | Threaded Elbow, Maled. 6 Mm X G1/8 | |
| 25 | 37411001 | Plane Washer D.10 | |
| 26 | 00001484 | Nut M10 | |
| 27 | 00100013.001 | O-Ring 17,17 X 1,78 F | |
| 28 | 69200135 | Straight Connector G1/8 X 6 | |
| 29 | 00056751 | Guinding Pin D.8X8 | |
| 30 | 23000299 | Cap G1/8 Boiler One/Zero | |
| 31 | 69200141 | Elbow Connector G1/4X6 Ppsu | |
| 32 | 37040621 | Screw M 6 X 20 Inox | |
| 33 | 37420601 | Elastic Washer D. 6 | |
| 34 | 00100825.001 | Steam Valve Block Assay. | |
| 35 | 37040510 | Screwm5 X 10Mm | |

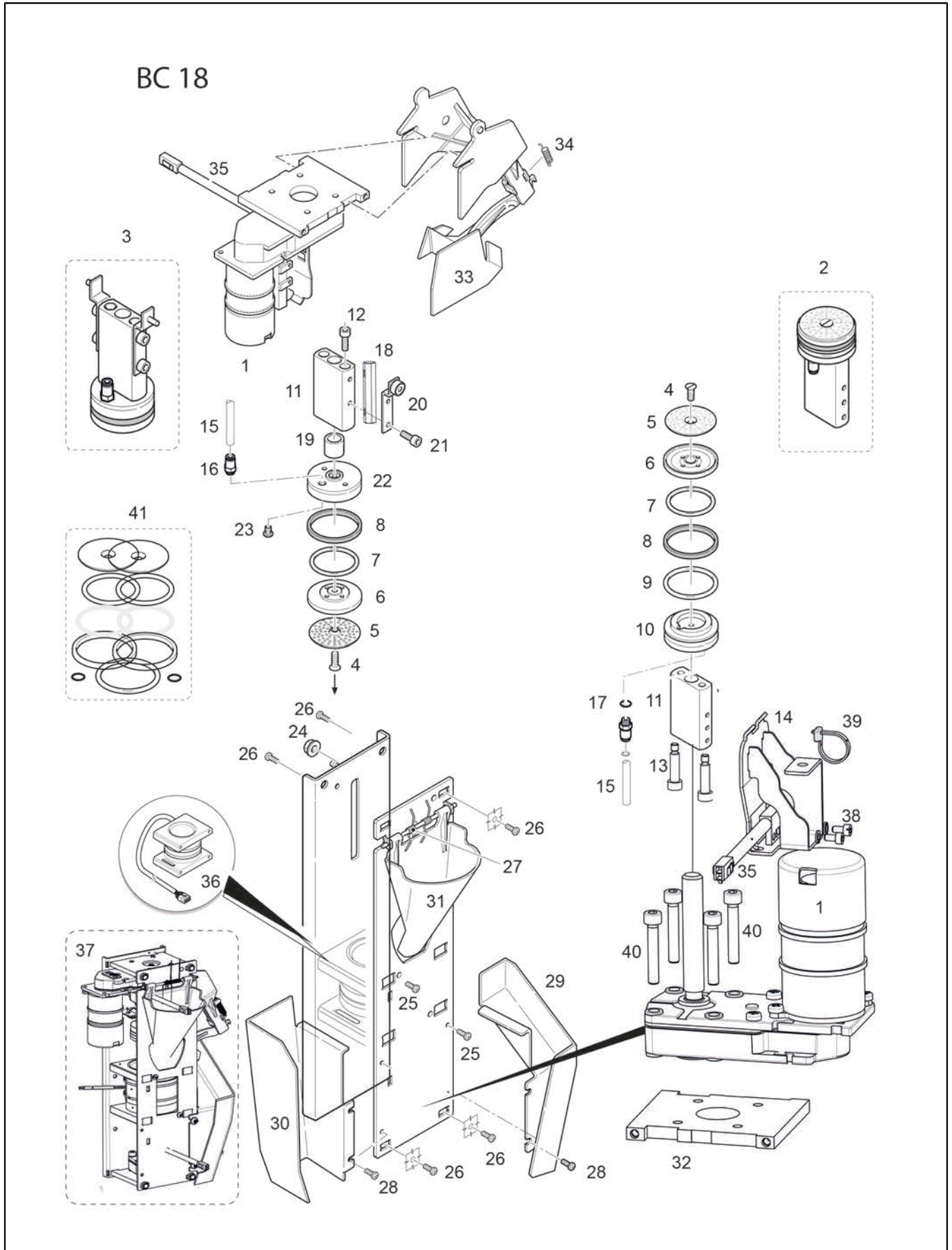


Steam Boiler - steam valve block XP/QM

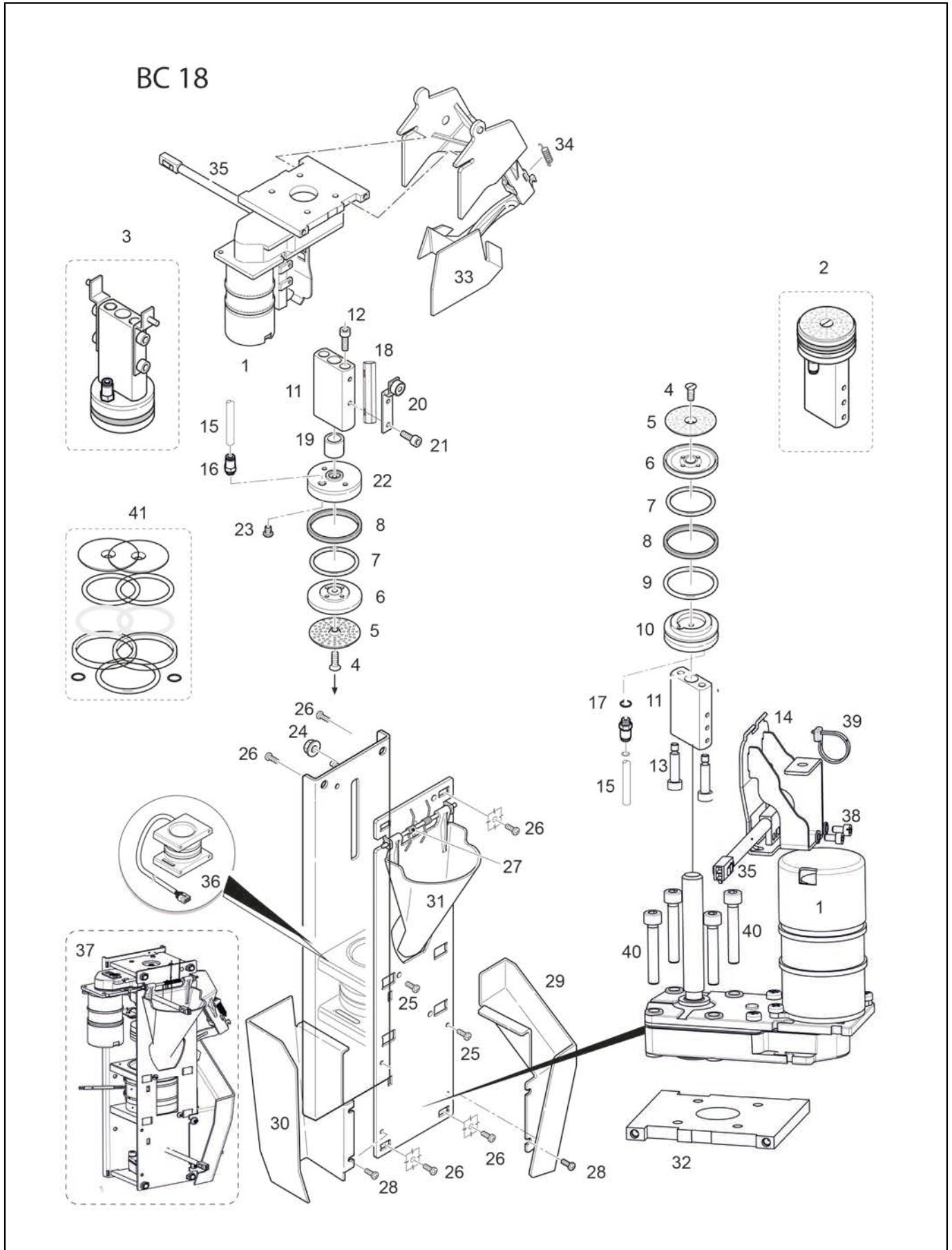
| POS. | CODE | DESCRIPTION | NOTES |
|------|----------|--|----------------------|
| 36 | 36404054 | O-Ring 12,42 X 1,78 V 70Sh 2050 | |
| 37 | 23000194 | Plate Steam Boiler 100 X 1/4 | |
| 38 | 10700998 | Service Kit Steam Boiler | |
| 39 | 10110008 | Kit Egro Boiler Wiring | |
| 40 | 00049966 | Threaded Male Nipple With Washer G 1/8 | |
| | 69200135 | Straight Connector G1/8 X 6 | XP/TM version NO NMS |



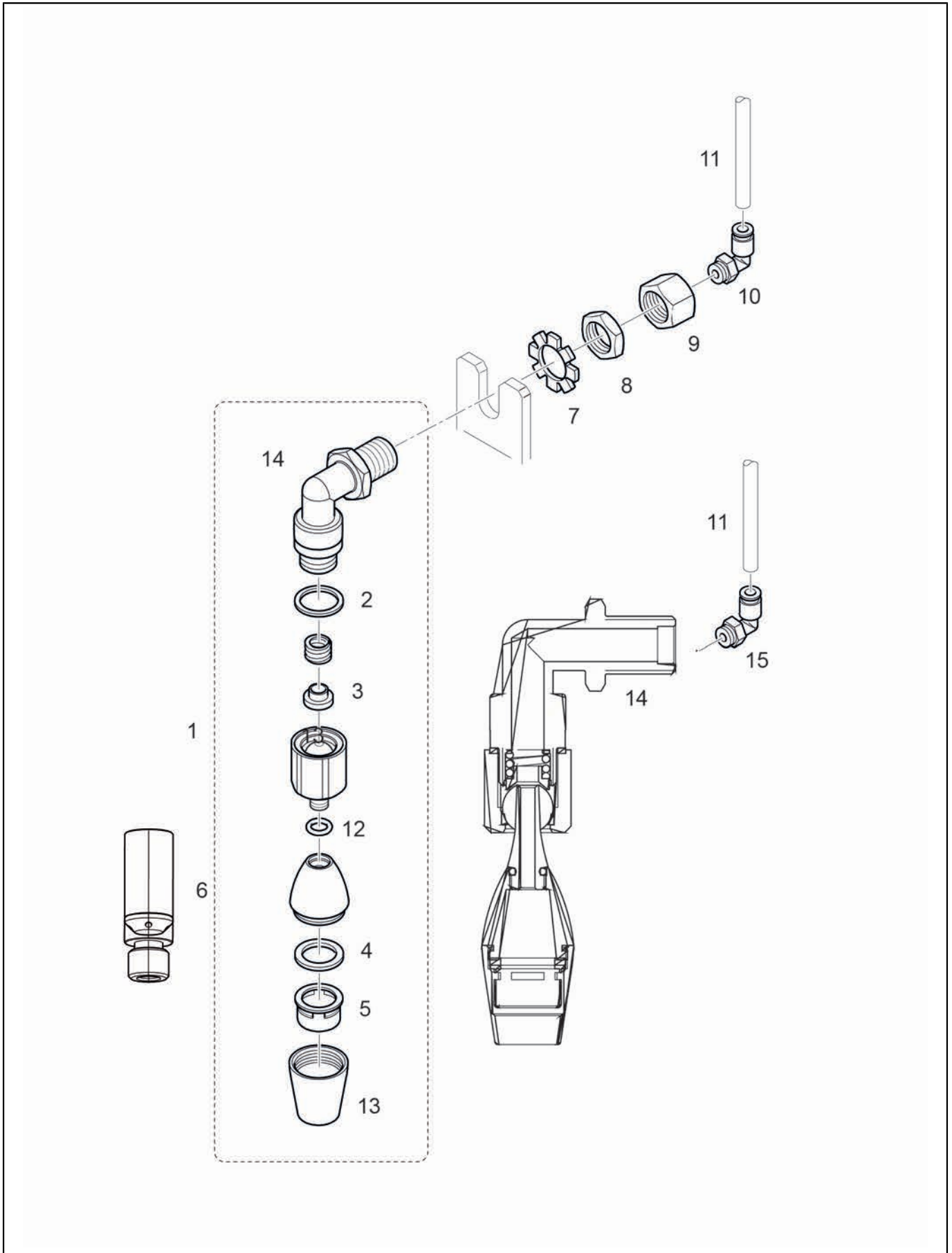
| POS. | CODE | DESCRIPTION | NOTES |
|------|--------------|---|-------|
| 1 | 00100878.001 | Bean Hopper Assay. Left Without Lock | |
| | 00100878.002 | Bean Hopper Assay. Left With Lock | |
| 2 | 00100877.001 | Bean Hopper Assay. Right Without Lock | |
| | 00100877.002 | Bean Hopper Assay. Right With Lock | |
| 3 | 38120580 | Slider Bean Hopper Right One/15 | |
| 4 | 38120075 | Lid For Bean Hopper Right | |
| 5 | 38120581 | Slider Bean Hopper Left One/15 | |
| 6 | 38120076 | Lid For Bean Hopper Left | |
| 7 | 10705529 | Lock Assay. Ronis M15X17,5 With Hook 25.5Mm | |
| | 69000337 | Lock 90 M15 X 17,5 | |
| 8 | 69000339 | Serial Key Cod 200C | |
| 9 | 32331404 | Slider Beans Hopper Left | |
| 10 | 32331403 | Slider Beans Hopper Right | |
| 11 | 37113508 | Selfscrew M3X8 | |
| | 37410300 | Plane Washer D3.2X9 | |
| 12 | 10701209 | Grinder Adjustment Right/15 | |
| | 10701210 | Grinder Adjustment Left/15 | |
| | 10705715 | Grinder Adjustement Left (Welded Frame) | |
| | 10705716 | Grinder Adjustment Right (Welded Frame) | |
| 13 | 36990026 | Rubber Silent Block One | |
| 14 | 00101048.001 | Stop Spring | |
| 15 | 10705713 | Grinder Assay. 220V - 50/60Hz Right | |
| | 10705714 | Grinder Assay. 220V - 50/60Hz Left | |
| 16 | 00100565.001 | Powder Spout(Standard) | |
| 17 | 00101070.001 | Capacitor 14 Mf 400Vac P2 UI | |
| | 34020034 | Capacitor 12,5Mf 450V UI | |
| 18 | 10705706 | Top Lid 2 Grinders | |
| | 10705717 | TOP LID 1 GRINDER | |
| 19 | 00101000.001 | Retrofit Kit 2Nd Grinder | |
| 20 | 00046933 | Grinder Plates, Pair D. 54Mm With Screw | |
| 21 | 36990025 | SEAL (COLLAR) / GRINDER | |
| 22 | 23000128 | Pin Bean Hopper One Self | |
| 23 | 69200073 | Blocking Srewm8 | |
| 24 | 34010015A | Motor 24V Sag With Encoder | |



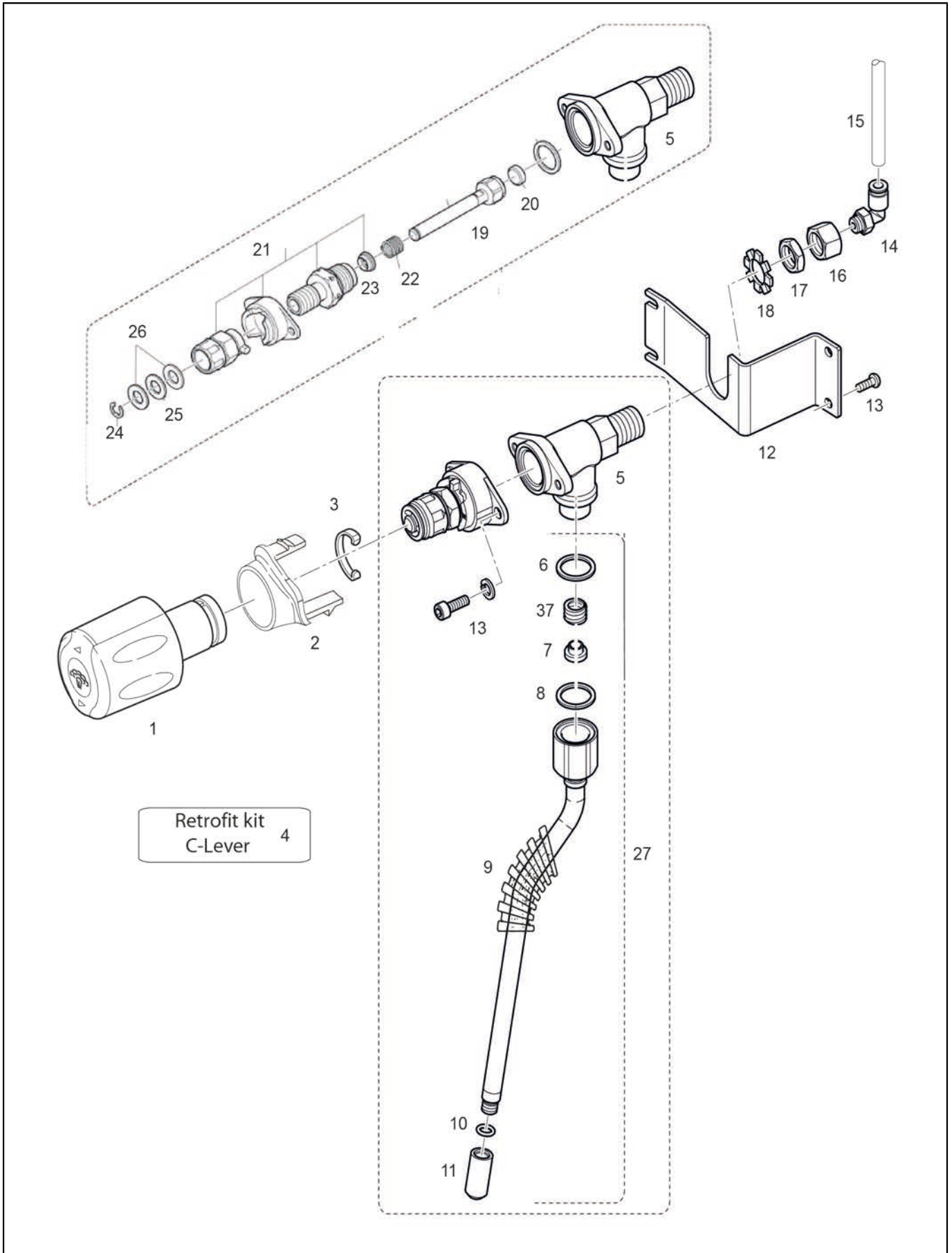
| POS. | CODE | DESCRIPTION | NOTES |
|------|--------------|---|--|
| 1 | 10701051 | Spindle Motor With Sensor | for Egro ONE: S/N 12009467 PIN 108293 |
| 2 | 10700177 | Lower Piston Bc18 | |
| 3 | 10700176 | Upper Piston Bc18 | |
| 4 | 00001176 | Countersunk Screw M4X12 Mm | |
| 5 | 00060116 | Brewing Sieve D. 44 Mm | |
| 6 | 00054861 | Filter Carrier | |
| 7 | 00100136.001 | O-Ring 31,35 X 3,53 Silicone 70Sh Red | |
| 8 | 00039064 | Turcon Ring 39 X 44 X 4 | |
| 9 | 00100506.001 | O-Ring 36,09 X 3,53 Silicone 70Sh | |
| 10 | 36930110 | Lower Piston Gr. Bc18 | |
| 11 | 10701050 | Piston Shaft With Magnet | piston shaft for BC18, ATTENTION to the magnet position. (could be used also on L61 or previous groups, put the magnet on the opposite side) albero pistone per BC18, ATTENZIONE alla posizione del magnete. (può essere utilizzato su gruppi L61 o precedenti posizionando al contrario il magnete) |
| 12 | 00000930 | Hex Socket Head Screw M5 X 25 Mm | |
| 13 | 00048548 | Hex Socket Head Screw For Peek Pistonm4 X 15 Mm | |
| 14 | 32331498 | Piston Guide Reed | |
| 15 | 38228072 | Teflon Hose Fep D. 4,0 X 2,5 | |
| 16 | 69200133 | Straight Connector D.4 X M5 | |
| 17 | 00060283 | O-Ring 4 X 1,2 F | |
| 18 | 00045032 | Nut | |
| 19 | 30001048 | Spacer Piston Guide | |
| 20 | 32331443 | Bracket Upper Piston | |
| 21 | 00000928 | Hex Socket Head Screw M4 X10 Mm | |
| 22 | 36930111 | Upper Piston Group Bc18 | |
| 23 | 00048550 | Flow Limiter D. 0.7 | |
| 24 | 00001521 | Keps Nut M5 | |
| 25 | 37155011 | Screw Atf Pt 4X10 Tcb Ph Inox | |
| 26 | 37040409 | Screw M4 X 8 Te | |
| 27 | 00060858 | Transmission Assay. | |
| 28 | 00046844 | Screw M4 X 8 Mm | |
| 29 | 38120120 | Spindle Motor Protection | |
| 30 | 00048747 | Grounds Slide | Fit for all generation brewing unit (L61/BC18)/ passt für alle Generationen von Brühgruppen (L61/BC18) |
| | 38120119 | Grounds Slider | does not fit for Automatic spout - use metal version 00048747 / passt nicht für Automatischen Auslauf - Metall Ausführung verwenden 00048747 |
| 31 | 38120115 | Coffee Powder Funnel | |
| 32 | 24300010 | Spindle Motor Plate | |
| 33 | 10700178 | Ejector Brewing Group | |
| 34 | 39110026 | Spring Ejector | |
| 35 | 34020125 | End Switch Spindle Motor | |
| 36 | 10701036 | Brewing Chamber Bc18 | |
| 37 | 10054002 | Brewing Group Bc18 | |
| 38 | 37060306 | Screw M3 X 6 Tcei | |
| | 37420300 | Elastic Washer 3 X 0,8 | |
| 39 | 34200071 | Fixing Cable Clamp | |
| 40 | 00000935 | Hex Socket Head Screw M5 X 30 Mm | |



| POS. | CODE | DESCRIPTION | NOTES |
|------|----------|--------------------------|-------|
| | 37040409 | Screw M4 X 8 Te | |
| 41 | 00057446 | Gasket Kit Brewing Group | |



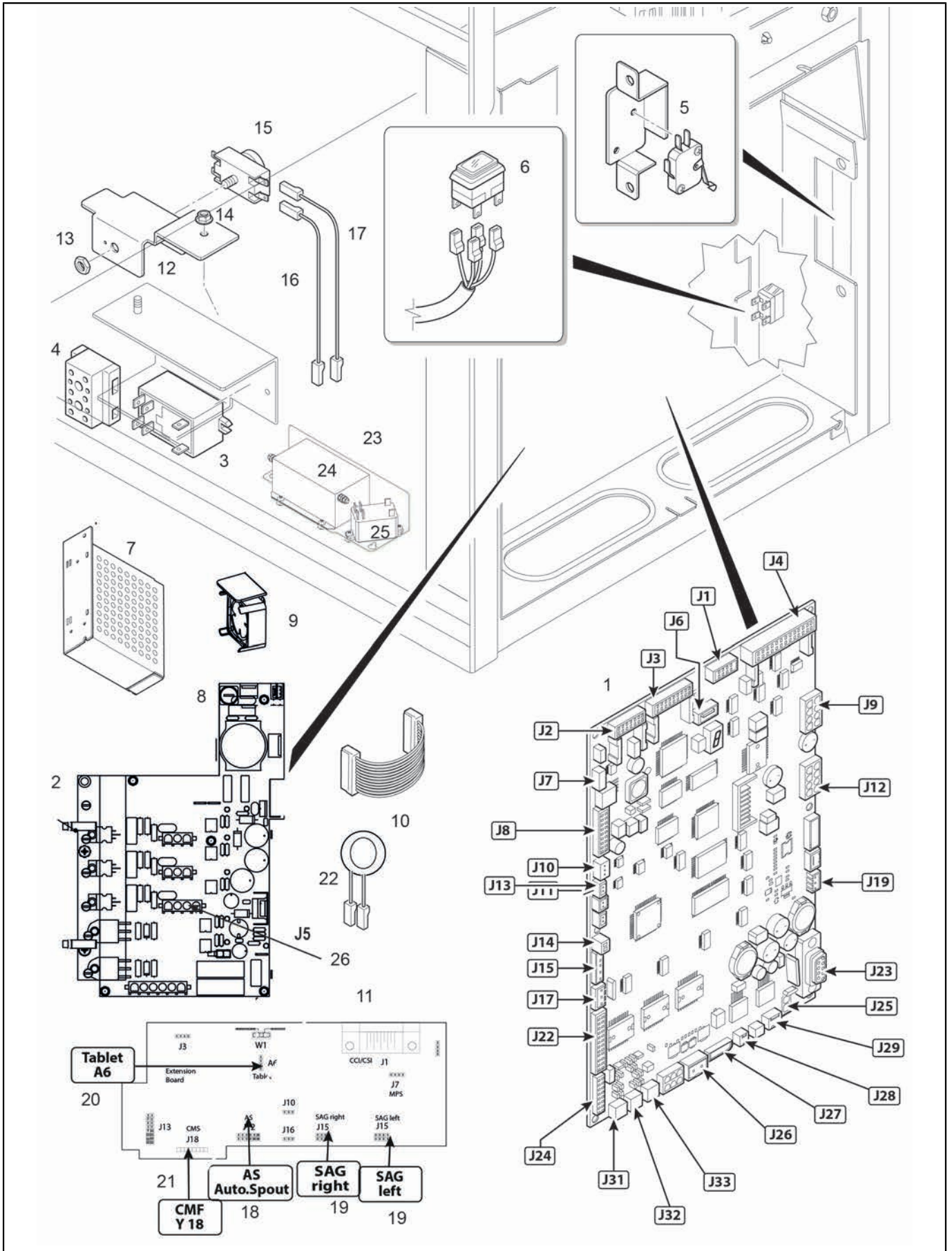
| POS. | CODE | DESCRIPTION | NOTES |
|------|--------------|----------------------------------|-------|
| 1 | 10705245 | Connection+Movement Water Inox | |
| 2 | 36220009 | Gasket Nut Note Teflon | |
| 3 | 36930017 | Teflon Gasket For Steam Wand Nut | |
| 4 | 36301040 | O-Ring Filter Jet Breaker | |
| 5 | 10049014 | Water Outlet | |
| | 25135019 | Mixing Nozzle | |
| 6 | 23000144 | Extension Inox M10 X 23Mm | |
| | 25128014 | Extension Inox M10 X 76Mm | |
| | 25128015 | Extention Inox M10 X 59Mm | |
| 7 | 37431600 | Outer Toothed Washer D16 | |
| 8 | 26220005 | Flat Nut 3/8 | |
| 9 | 00100855.001 | Sleeve | |
| 10 | 69200140 | Elbow Connector6 X G1/8 Ppsu | |
| | 69200146 | Elbow Connector 6 X G1/8 | |
| 11 | 38228073 | Teflon Hose Fep D. 6 X 4 | |
| 12 | 36404022 | O-RING 6,4 X 1,9 R5A | |
| 13 | 25135017 | Upperpart Water Sprayer | |
| 14 | 20200113 | Hot Water Connection Brass | |
| 15 | 69200140 | Elbow Connector6 X G1/8 Ppsu | |



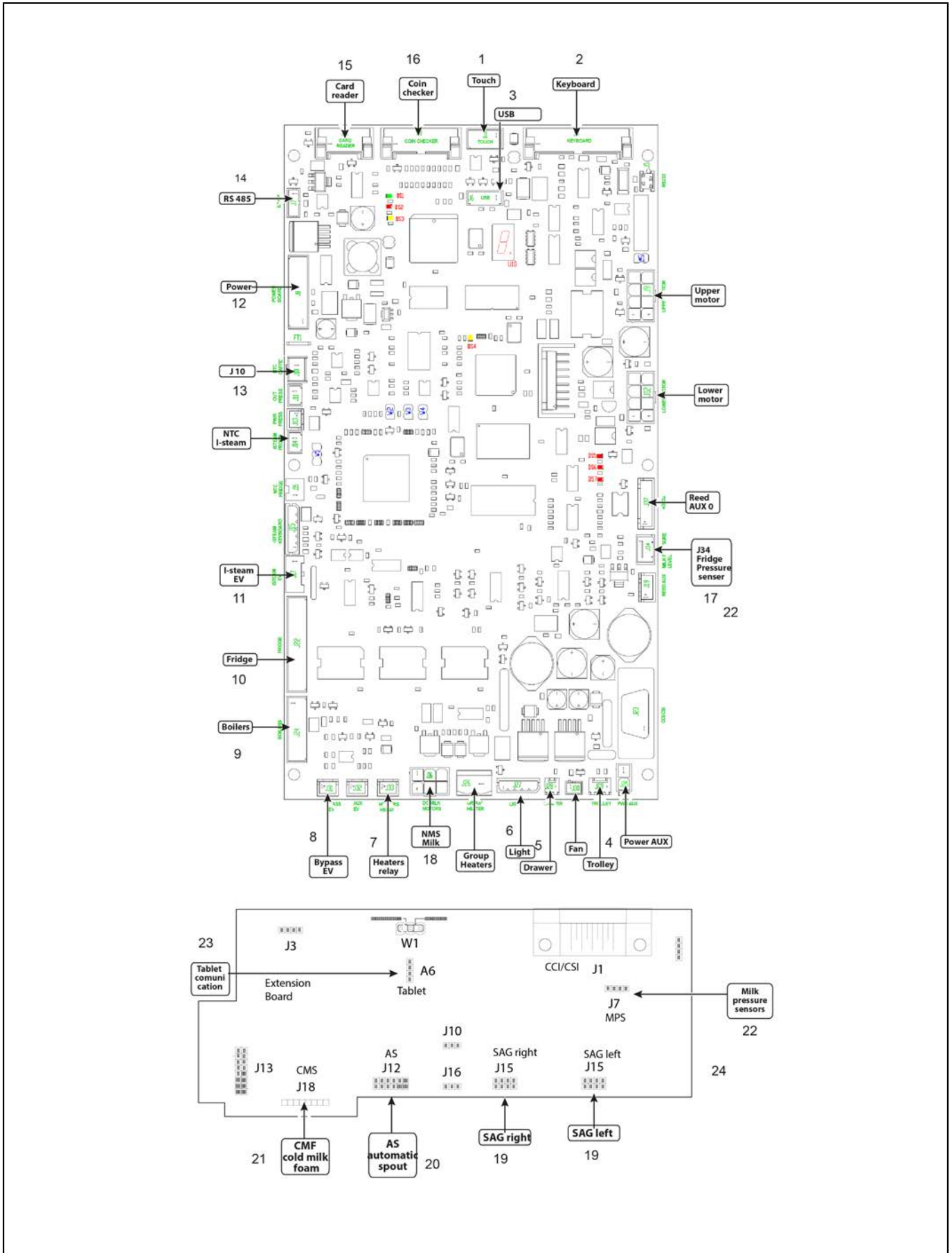
| POS. | CODE | DESCRIPTION | NOTES |
|------|--------------|-------------------------------------|-------|
| 1 | 10060189 | Steam Tap/16 | |
| 2 | 38120087 | Cover | |
| | 38120088 | Cover Steam Handel | |
| 3 | 32210001 | Steam Handle Spring | |
| 4 | 00100998.001 | Retrofit Kit C-Lever | |
| | 10701326 | Retrofit Kit C-Lever Cool Touch | |
| 5 | 10060155 | Fast Steam Tap Left No Connector | |
| 6 | 36220009 | Gasket Nut Note Teflon | |
| 7 | 36930016 | Gasket Teflon Connection Steam Wand | |
| 8 | 36930017 | Teflon Gasket For Steam Wand Nut | |
| 9 | 10049112 | Steam Pipe Inox Lg 25 | |
| | 10049121 | Cool Touch Wand Classe 7 | |
| | 10701426 | Cooltouch Wand/17 | |
| | 36990004 | Rubber For Steam Pipes | |
| 10 | 36404022 | O-RING 6,4 X 1,9 R5A | |
| 11 | 23212035 | Steam Sprayer Lg44 D1.5 | |
| | 25111006 | Steam Nozzle | |
| 12 | 32331413 | Bracket | |
| 13 | 37040510 | Screwm5 X 10Mm | |
| 14 | 69200140 | Elbow Connector6 X G1/8 Ppsu | |
| 15 | 38228073 | Teflon Hose Fep D. 6 X 4 | |
| 16 | 00100855.001 | Sleeve | |
| 17 | 26220005 | Flat Nut 3/8 | |
| 18 | 37431600 | Outer Toothed Washer D16 | |
| 19 | 10060002 | Rod+Nut And Steam Cock Gasket | |
| 20 | 36301105 | Gasket For Nut Steam Tap Epdm | |
| 21 | 10701240 | Kit Clever/15 Cams Peek Left | |
| 22 | 39110035 | Water-Steam Cock Spring | |
| 23 | 36990078 | Shaft Gasket Fast Tap | |
| 24 | 37510700 | Snap Ring D. 7 | |
| 25 | 36230001 | Teflon Washer | |
| 26 | 32239044 | New Steam Cock Washer | |
| 27 | 10706035 | Steam Pipe+Junction One | |
| 28 | 39110038 | Spring Connection Steam Tap | |

| POS. | CODE | DESCRIPTION | NOTES |
|------|--|---|---|
| 1 | 69000288 | Pump Vm 100L/H | |
| 2 | 00045393 00046299 00100367.001 | Pump Motor 230 V / 50 Hz - 120 W Motor 200 V Pump Motor Assay. 230 V 50/60 Hz (Usa) | |
| 3 | 00042324 34020017 | Capacitor Assay. 7.0 Mf 200V Capacitor 6.3Mf Lt155-255 | |
| 4 | 36322006 | Anti-Vibrating Device 20 X 20 - M6 X 12 Sh30 | |
| 5 | 00001522 | Keps Nut M6 | |
| 6 | 69200165 | Straight Connector 6 X G3/8 | |
| 7 | 69200164 | Straight Connector 8 X G3/8 | |
| 8 | 69200137 | Straight Nipple M8 X G1/4 | |
| 9 | 69200171 | Ball Tap G3/8-G1/4 | |
| 10 | 00058587 | Gasket 15 X 7,2 X 2,1 Rubber Epdm Perox | |
| 11 | 23000288 | Double Nipple G3/8 X G1/4 | |
| 12 | 69000737 | Flex Pipe Mm1500 Nsf F3/8-F3/8 Check Valve | |
| 13 | 38228073 | Teflon Hose Fep D. 6 X 4 | |
| 14 | 38228072 | Teflon Hose Fep D. 4,0 X 2,5 | |
| 15 | 00100897.001 | T - Connectord. 6 X 4 X 6 Mm | |
| 16 | 69200135 | Straight Connector G1/8 X 6 | |
| 17 | 69200139 | Elbow Connector 4 X G1/8 Ppsu | |
| 18 | 69200190 | Check Valve 6 X G1/8 | |
| 19 | 00100899.001 | Flow Limiter 0,8 | |
| 20 | 00100939.001 10701412 38120337 | Flow Limiter D. 2.9 X 4 KIT TEMPERATURA T# ONE Restriction 3,2 X 4 Peek | |
| 21 | 23000299 27350014 69200134 | Cap G1/8 Boiler One/Zero Copper Gasket 12.5X9.8X1.5 Straight Connector G1/8 X 4 | |
| 22 | 34040197 34049012 34049014 | Operator Kit 24V 2/2 T22 (Cold) Ppo Operator Kit 2/2 Ways Cold Water (T22) Plunger 2/2 Cold Water T22 | |
| 23 | 34040198 34049011 34049013 | Operator Kit 24V 2/2 T30 (Hot) Ppo Operator Kit 2/2 Ways Hot Water (T30) Plunger 2/2 Hot Water T30 | |
| 24 | 00100313.001 | Cold Water Valve Block Assay. | on machine before S/N 12011960 PIN 119415 use ACL Valves 34049007 su macchine precedenti la N/F 12011960 PIN 119415 utilizzare le valvole ACL 34049007 from S/N 12011960 PIN 119415 use SIRAI valves 34040163 su dalla N/F 12011960 PIN 119415 utilizzare valvola SIRAI 34040163 |
| 25 | 00046192 | Spacers | |
| 26 | 00053558 10120008 | Flowmeter With O-Rings Flowmeter Cable | |
| 27 | 00055294 | O-Ring Kit For Flowmeter | |
| 28 | 34040179 34040182 34049006 | Plunger 2/2 T22 (Sirai) Operator Kit 2/2 Ways T22 Sirai Plunger 2/2 Water T22 (Acl) | to be used on machine after S/N 12011960 PIN 119415 da utilizzare su macchine successive la N/F 12011960 PIN 119415 to be used on machine after S/N 12011960 PIN 119415 da utilizzare su macchine successive la N/F 12011960 PIN 119415 to be used on machine before S/N 12011960 PIN 119415 da utilizzare su |

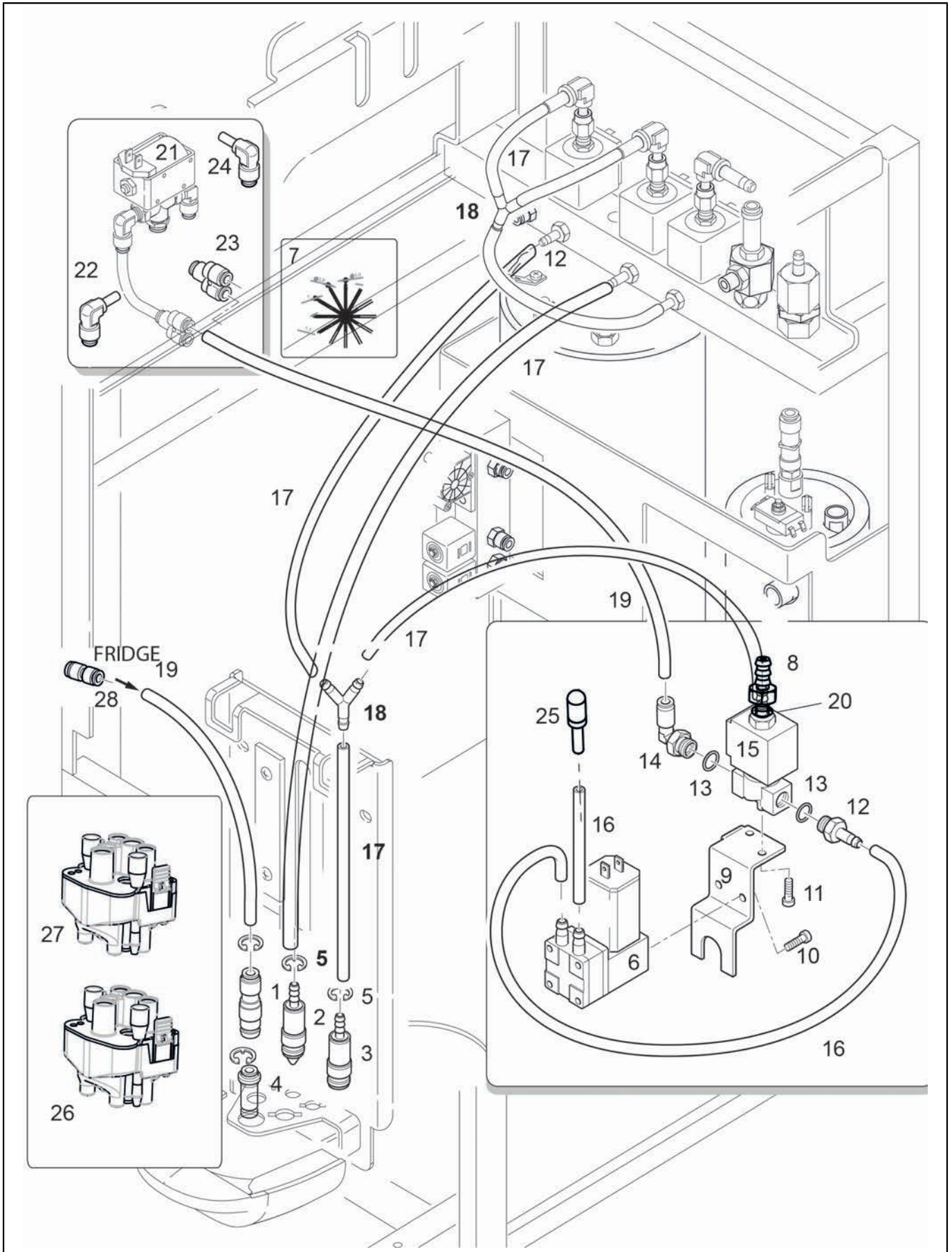
| POS. | CODE | DESCRIPTION | NOTES |
|------|----------|--------------------------------------|--|
| | 34049007 | Operator Kit 2/2 Way Water (Acl) T22 | macchine precedenti la N/F 12011960 PIN 119415 to be used on machine before S/N 12011960 PIN 119415 da utilizzare su macchine precedenti la N/F 12011960 PIN 119415 |
| 29 | 38228074 | Teflon Hose Fep D. 8 X 6 | |
| 30 | 69200187 | Y Connector D.4 Ppsu | |
| 31 | 00019974 | Gasket 14,8 X 9 X 2 Copper | |
| 32 | 38120127 | Restriction Ring Little White | |
| 33 | 10701473 | Economizer 24V Plastic | |
| | 10705759 | Tea Water Mixer 24V brass | |
| | 10705788 | Tea Water Mixer 24V-Pps | |
| 34 | 69200150 | Connection M12 X 1,8G | |
| 35 | 69200151 | Connection M10 X 1,8G | |
| 36 | 00053754 | Threaded Elbow, Male D. 6 Mm X G1/8 | |
| 37 | 69200134 | Straight Connector G1/8 X 4 | |
| 38 | 34040156 | Valve 3/2 24V | |
| | 69200174 | Valve Membrane | |
| 39 | 69200188 | Elbow Connector 4Ff D6 Ppsu | |
| 40 | 69200187 | Y Connector D.4 Ppsu | |
| 41 | 69200130 | Elbow Connector 6X6 | |



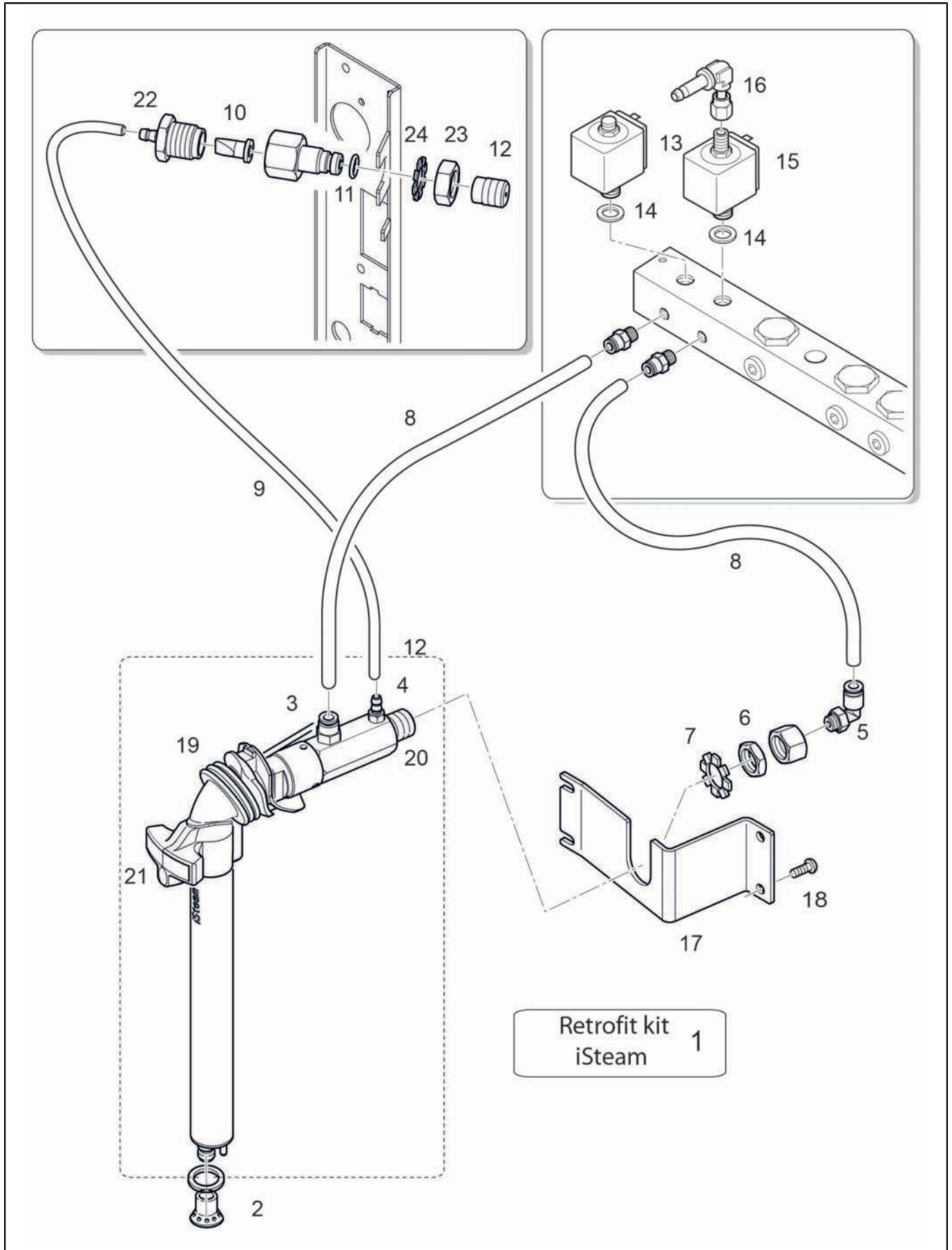
| POS. | CODE | DESCRIPTION | NOTES |
|------|----------|-------------------------------------|---|
| 1 | 10701056 | Kit Cpu Board Egro One Nms | |
| 2 | 10701400 | Power Board Egro | for all ONE/TWO/BYO with Power Switching supply from SN für alle ONE/TWO/BYO mit Schaltnetzteil ab SN |
| 3 | 34200289 | Heating Element Relay | |
| 4 | 00053952 | Connecting Terminal 3 P | |
| | 34300072 | Cable+Plug | |
| | 34300074 | Cavo H07Rn-F 3Capi Sez.2,5 L=2000 | |
| | 34300075 | Cavo H07Rn-F 3Capi Sez.4 L=2500 | |
| | 34300079 | Cavo H07Rn-F 5C.Sez.4 L=2500 | |
| | 34300098 | CAVO H07RN-F 4C.SEZ.2,5 L=2000 | |
| 5 | 34100021 | Micro Switch | |
| 6 | 34030077 | Main Switch | |
| 7 | 34070300 | Power Supply 24V 150W | |
| 8 | 34200177 | Fuse 2A 5X20 | |
| 9 | 34070021 | Flowmeter Wired | |
| 10 | 10110701 | Cable Powersupply-Cpu One | |
| 11 | 34070160 | Egro Extension Board With Bluetooth | for options (SAG, AS, CMF, BYO) / für Optionen (SAG, AS, CMF, BYO) |
| 12 | 32331595 | Relay/Thermostat Bracket | |
| 14 | 00001518 | Keps Nut M4 | |
| 15 | 34200323 | High Limit Thermostat 140/15 220V | |
| 16 | 10110852 | Extension Cable Coffee Boiler Dhe | |
| 18 | 10110961 | Wiring As | |
| 19 | 10110962 | Wiring Sag | |
| 20 | 10110958 | Wiring Tablet Byo Fix | |
| 21 | 10110960 | Wiring Cmf Valves | |
| 22 | 34070236 | Cable Button Display Byo | |
| 23 | 10110343 | Wiring Relay/Emc Filter | |
| 24 | 34021013 | EMC FILTER ONE | |
| 25 | 34200289 | Heating Element Relay | |
| 26 | 10110708 | Wiring Pump | |



| POS. | CODE | DESCRIPTION | NOTES |
|------|----------|--|---|
| 1 | 10110705 | Wiring Set Touchscreen One | |
| 2 | 00044846 | Flat Cable 600Mm | |
| 3 | 10110706 | Extension Usb-Cable | |
| | 34070075 | Wiring Set J6 With Usb Connector (Touch Pad) | |
| 4 | 10110714 | Wiring Set J29 | |
| 5 | 10110717 | Wiring Set J28 | |
| 6 | 10705592 | Usb Wired Assy One | |
| 7 | 10110716 | Wiring Set J33 Relays | |
| 8 | 10110704 | Wiring Set J31 By Pass One | |
| | 10110867 | Wiring Valves Sirai | |
| 9 | 10110867 | Wiring Valves Sirai | |
| 10 | 10110709 | Wiring Set J22 Ks7 | |
| | 10110715 | Wiring Set J22 One Quick Milk | |
| | 10110759 | Wiring Milk Pump Module Ks9 | |
| | 10110821 | Wiring Set J22 One Quick Milk Nms | |
| | 10701324 | Extension Kit - Undercounter Fridge | |
| 11 | 10110703 | Wiring Set J17 Isteam | |
| | 10110874 | Wiring Electrovalve Isteam 3Valves Cc | |
| 12 | 10110712 | WIRING SET J10 EXTENSION WIRING COFFEE PROBE ONE | |
| 13 | 10110701 | Cable Powersupply-Cpu One | |
| 14 | 10110728 | Wiring Powder Module - Coffee Machine | |
| 15 | 10110001 | Flat Cable Pay System Machine 16 Poles | |
| | 10110002 | Flat Cable Smart Card 10 Poles | |
| 16 | 00034550 | Cable Tie 2,5 X 200 Mm | |
| | 34200071 | Fixing Cable Clamp | |
| | 34200301 | CLAMP L.155X4,8MM | |
| 17 | 10110835 | Pressure Sensor Cable Set Nms 1Milk | |
| | 10110837 | Extension Cable Pressure Sensor 4Pole | |
| | 10110839 | Pressure Sensor Cable Set 2Milk | |
| | 10110976 | Cable Milk Sensor Nms | Kabel Drucksensor von Maschine / cable pressure sensor from machine |
| 19 | 10110962 | Wiring Sag | |
| 20 | 10110961 | Wiring As | |
| 21 | 10110959 | Wiring Valve Pump Module Cmf Ks9 | |
| | 10110960 | Wiring Cmf Valves | |
| 22 | 10110835 | Pressure Sensor Cable Set Nms 1Milk | |
| | 10110837 | Extension Cable Pressure Sensor 4Pole | |
| 23 | 10110958 | Wiring Tablet Byo Fix | |
| 24 | 34070236 | Cable Button Display Byo | |



| POS. | CODE | DESCRIPTION | NOTES |
|------|--|--|--|
| 1 | 00100043.001 10701018 | O-Ring 6,75 X 1,78 Mvq Injector Nms | |
| 2 | 00100038.001 10701024 | O-Ring 8,73 X 1,78 Mvq Steam Injector Tm/Qmpro | |
| 3 | 00100043.001 10701022 | O-Ring 6,75 X 1,78 Mvq Air Injector | |
| 4 | 10701019 | Central Injector/14 | |
| 5 | 00001951 | Snap Ring D. 6 Inox | |
| 6 | 10701029 34011038A | Air Pump Assy. Top Milk Nms Air Pump 24Vdc/16 | |
| 7 | 38120127 | Restriction Ring Little White | |
| 8 | 23000277 | Flow Limiter D. 3Mm Connection M5 X 6 | |
| 9 | 32331786 | Air Pump Bracket | |
| 10 | 00048543 00100771.408 | Washer M4 Inox CROSSED RAISED CHEESE HEAD SCREW L = 8MM | |
| 11 | 00001062 37420300 | Raised Cheese Head Screw M3 X 6 Mm Elastic Washer 3 X 0,8 | |
| 12 | 00049966 | Threaded Male Nipple With Washer G 1/8 | |
| 13 | 27350014 | Copper Gasket 12.5X9.8X1.5 | |
| 14 | 69200147 | Elbow Connector 4 X G1/8 Ppsu Small | |
| 15 | 23000277 34040158 34049018 36404056 | Flow Limiter D. 3Mm Connection M5 X 6 Valve 3/2 24V 5.5W Plunger 3/2 T22 O-Ring 3,68X1,78 Epdm 70Sh Nsf Teflon 2015 | |
| 16 | 00049209 | Silicon Hose D. 7,0 X 3,0 Mm | |
| 17 | 00048474 | Silicon Hose D. 7 X 4 Mm | |
| 18 | 69200162 | Y Connection Silicon Pipe D.6 | |
| 19 | 38228072 | Teflon Hose Fep D. 4,0 X 2,5 | |
| 20 | 36404056 | O-Ring 3,68X1,78 Epdm 70Sh Nsf Teflon 2015 | |
| 21 | 34040156 69200174 | Valve 3/2 24V Valve Membrane | |
| 22 | 69200188 | Elbow Connector 4Ff D6 Ppsu | |
| 23 | 69200187 | Y Connector D.4 Ppsu | |
| 24 | 69200130 | Elbow Connector 6X6 | |
| 25 | 69150018 | Filter Airpump Nms | Air Filter for Air pump inlet / Luftfilter für Luftpumpen Eingang |
| 26 | 10701391 | Standard Spout D. 6.3Mm | |
| 27 | 10701392 | Cmf Spout D.6.3Mm | |
| 28 | 69200148 | Straight Connector 4 X 4 Ppsu | |



| POS. | CODE | DESCRIPTION | NOTES |
|------|----------------------------------|--|---|
| 1 | 10701627 10705590 | Retrofit Kit Isteam One/19 Isteam Assay. | 250mm |
| 2 | 23000098V 36404022 | Isteam Sprayer O-RING 6,4 X 1,9 R5A | |
| 3 | 69200135 | Straight Connector G1/8 X 6 | |
| 4 | 23000100 | Gasket-Holder Venturi Isteam | |
| 5 | 69200140 | Elbow Connector 6 X G1/8 Ppsu | |
| 6 | 26220005 | Flat Nut 3/8 | |
| 7 | 37431600 | Outer Toothed Washer D16 | |
| 8 | 38228073 | Teflon Hose Fep D. 6 X 4 | |
| 9 | 00050010.001 | Silicon Hose D. 6,0 X 3,0 Mm | |
| 10 | 10701437 36230017 36230021 | Air Inlet Valve Isteam/17 Duckbill Valve Duckbill Valve | Replacement for 36230017 / Ersatz für 36230017 |
| 11 | 10701437 36404013 | Air Inlet Valve Isteam/17 O-Ring Silicone 2031 | |
| 12 | 23000092 23000093 23000192 | Flow Limiter 0,25 Isteam/Yousteam Flow Limiter 0,35 Isteam/Yousteam Flow Limiter 0,15 Isteam | |
| 13 | 00100559.001 00100560.001 | Operator Kit 2/2 Way Water T30 (Acl) Plunger 2/2 Water T30 (Acl) | |
| 14 | 00100013.001 | O-Ring 17,17 X 1,78 F | |
| 15 | 00100016.005 00100116.005 | Plunger 3/2 Steam T30 (Acl) Operator Kit 3/2 Ways Steam (Acl) T30 | |
| 16 | 00057912 | Threaded Elbow, Maled. 6 Mm X G1/8 | |
| 17 | 32331413 | Bracket | |
| 18 | 37040410 | Screw M 4 X 10 | |
| 19 | 36990024 | Collar Isteam | |
| 20 | 36404054 | O-Ring 12,42 X 1,78 V 70Sh 2050 | |
| 21 | 10701363 | Isteam Keypad/16 | |
| 22 | 36990058 | RUBBER HOLDER AIR ISTEAM | |
| 23 | 37321201 | Nut M12 | |
| 24 | 37431200 | Toothed Washer D. 12,5 | |

| Code | No. table | Pos. | Code | No. table | Pos. | Code | No. table | Pos. |
|--------------|-----------|------|--------------|-----------|------|----------|-----------|------|
| 00000928 | 2002_02 | 21 | 00057446 | 2002_02 | 41 | 10042199 | 2000_03 | 4 |
| 00000930 | 2002_02 | 12 | 00057912 | 2006 | 24 | 10046062 | 2000_03 | 28 |
| 00000932 | 1001_04 | 36 | 00057912 | 4000 | 16 | 10049014 | 1001_04 | 9 |
| 00000935 | 2002_02 | 40 | 00058587 | 2007_02 | 10 | 10049014 | 2004 | 5 |
| 00001062 | 1001_04 | 20 | 00060116 | 2002_02 | 5 | 10049112 | 2003 | 9 |
| 00001062 | 6001_02 | 11 | 00060160 | 2006 | 22 | 10049121 | 2003 | 9 |
| 00001065 | 1010 | 16 | 00060283 | 2002_02 | 17 | 10054002 | 2002_02 | 37 |
| 00001069 | 1001_04 | 24 | 00060858 | 2002_02 | 27 | 10060002 | 2003 | 19 |
| 00001176 | 2002_02 | 4 | 00100001.208 | 1001_04 | 22 | 10060006 | 2000_03 | 34 |
| 00001484 | 2006 | 26 | 00100013.001 | 2006 | 27 | 10060009 | 2000_03 | 17 |
| 00001518 | 3000_03 | 14 | 00100013.001 | 4000 | 14 | 10060060 | 2006 | 20 |
| 00001521 | 2000_03 | 9 | 00100016.005 | 2006 | 23 | 10060155 | 2003 | 5 |
| 00001521 | 2002_02 | 24 | 00100016.005 | 4000 | 15 | 10060189 | 1001_03 | 6 |
| 00001522 | 2007_02 | 5 | 00100038.001 | 2000_03 | 20 | 10060189 | 2003 | 1 |
| 00001951 | 6001_02 | 5 | 00100038.001 | 6001_02 | 2 | 10060479 | 2000_03 | 17 |
| 00002240 | 1000 | 17 | 00100043.001 | 2000_03 | 26 | 10060606 | 2000_03 | 29 |
| 00002240 | 2006 | 6 | 00100043.001 | 6001_02 | 1 | 10060607 | 2000_03 | 3 |
| 00004473 | 2000_03 | 24 | 00100043.001 | 6001_02 | 3 | 10060607 | 2000_03 | 3 |
| 00004473 | 2001_02 | 3 | 00100059.001 | 2006 | 17 | 10110001 | 3001 | 15 |
| 00004474 | 2000_03 | 19 | 00100116.005 | 2006 | 23 | 10110002 | 3001 | 15 |
| 00004474 | 2001_02 | 2 | 00100116.005 | 4000 | 15 | 10110008 | 2006 | 39 |
| 00010152 | 2006 | 21 | 00100136.001 | 2002_02 | 7 | 10110343 | 3000_03 | 23 |
| 00019974 | 2006 | 21 | 00100147.001 | 2000_03 | 3 | 10110701 | 3000_03 | 10 |
| 00019974 | 2007_02 | 31 | 00100149.001 | 2000_03 | 3 | 10110701 | 3001 | 13 |
| 00027170 | 2006 | 21 | 00100186.013 | 2000_03 | 21 | 10110703 | 3001 | 11 |
| 00030494 | 1010 | 17 | 00100236.001 | 2006 | 18 | 10110704 | 3001 | 8 |
| 00030511 | 1001_03 | 21 | 00100267.001 | 2006 | 7 | 10110705 | 3001 | 1 |
| 00034550 | 3001 | 16 | 00100268.002 | 2006 | 8 | 10110706 | 3001 | 3 |
| 00039064 | 2002_02 | 8 | 00100300.001 | 2006 | 12 | 10110708 | 3000_03 | 26 |
| 00039067 | 2006 | 21 | 00100313.001 | 2007_02 | 24 | 10110709 | 3001 | 10 |
| 00042324 | 2007_02 | 3 | 00100351.001 | 2006 | 5 | 10110712 | 3001 | 12 |
| 00044464 | 2006 | 20 | 00100367.001 | 2007_02 | 2 | 10110714 | 3001 | 4 |
| 00044846 | 3001 | 2 | 00100506.001 | 2002_02 | 9 | 10110715 | 3001 | 10 |
| 00045032 | 2002_02 | 18 | 00100559.001 | 2000_03 | 29 | 10110716 | 3001 | 7 |
| 00045393 | 2007_02 | 2 | 00100559.001 | 4000 | 13 | 10110717 | 3001 | 5 |
| 00045532 | 1001_03 | 20 | 00100560.001 | 2000_03 | 29 | 10110728 | 3001 | 14 |
| 00045682 | 2006 | 21 | 00100560.001 | 4000 | 13 | 10110729 | 2000_03 | 11 |
| 00045714 | 2001_02 | 10 | 00100565.001 | 2005 | 16 | 10110759 | 3001 | 10 |
| 00045714 | 2001_02 | 11 | 00100771.408 | 6001_02 | 10 | 10110821 | 3001 | 10 |
| 00046069 | 1000 | 16 | 00100793.001 | 2006 | 9 | 10110835 | 3001 | 17 |
| 00046069 | 1000 | 18 | 00100802.001 | 2006 | 1 | 10110835 | 3001 | 22 |
| 00046192 | 2007_02 | 25 | 00100825.001 | 2006 | 34 | 10110837 | 3001 | 17 |
| 00046299 | 2007_02 | 2 | 00100855.001 | 2003 | 16 | 10110837 | 3001 | 22 |
| 00046844 | 1000 | 9 | 00100855.001 | 2004 | 9 | 10110839 | 3001 | 17 |
| 00046844 | 2002_02 | 28 | 00100862.003 | 2001_02 | 11 | 10110852 | 3000_03 | 16 |
| 00046933 | 2005 | 20 | 00100869.001 | 2006 | 15 | 10110867 | 3001 | 8 |
| 00048474 | 6001_02 | 17 | 00100877.001 | 2005 | 2 | 10110867 | 3001 | 9 |
| 00048543 | 6001_02 | 10 | 00100877.002 | 2005 | 2 | 10110868 | 2000_03 | 30 |
| 00048548 | 2002_02 | 13 | 00100878.001 | 2005 | 1 | 10110874 | 3001 | 11 |
| 00048550 | 2002_02 | 23 | 00100878.002 | 2005 | 1 | 10110958 | 1001_03 | 28 |
| 00048747 | 2002_02 | 30 | 00100897.001 | 2007_02 | 15 | 10110958 | 3000_03 | 20 |
| 00049209 | 1001_04 | 28 | 00100899.001 | 2007_02 | 19 | 10110958 | 3001 | 23 |
| 00049209 | 6001_02 | 16 | 00100939.001 | 2007_02 | 20 | 10110959 | 3001 | 21 |
| 00049966 | 2006 | 40 | 00100986.001 | 1000 | 20 | 10110960 | 3000_03 | 21 |
| 00049966 | 6001_02 | 12 | 00100987.001 | 1000 | 20 | 10110960 | 3001 | 21 |
| 00050010.001 | 4000 | 9 | 00100996.001 | 1000 | 21 | 10110961 | 1001_04 | 39 |
| 00053558 | 2007_02 | 26 | 00100997.001 | 1000 | 19 | 10110961 | 3000_03 | 18 |
| 00053754 | 2007_02 | 36 | 00100998.001 | 2003 | 4 | 10110961 | 3001 | 20 |
| 00053952 | 3000_03 | 4 | 00101000.001 | 2005 | 19 | 10110962 | 3000_03 | 19 |
| 00054649 | 1000 | 15 | 00101048.001 | 2005 | 14 | 10110962 | 3001 | 19 |
| 00054861 | 2002_02 | 6 | 00101070.001 | 2005 | 17 | 10110976 | 3001 | 17 |
| 00054938 | 1001_04 | 27 | 10020002 | 2000_03 | 1 | 10120004 | 2006 | 14 |
| 00055294 | 2007_02 | 27 | 10020018 | 2006 | 1 | 10120008 | 2007_02 | 26 |
| 00055557 | 1000 | 15 | 10020038 | 2000_03 | 1 | 10700176 | 2002_02 | 3 |
| 00055794 | 2000_03 | 8 | 10020038 | 2000_03 | 1 | 10700177 | 2002_02 | 2 |
| 00055795 | 2001_02 | 6 | 10042099 | 2000_03 | 18 | 10700178 | 2002_02 | 33 |
| 00056751 | 2006 | 29 | 10042199 | 2000_03 | 33 | 10700232 | 2000_03 | 32 |

| Code | No. table | Pos. |
|----------|-----------|------|
| 10700232 | 2001_02 | 7 |
| 10700281 | 2001_02 | 3 |
| 10700989 | 1001_03 | 1 |
| 10700997 | 1000 | 25 |
| 10700998 | 2006 | 38 |
| 10701018 | 6001_02 | 1 |
| 10701019 | 2000_03 | 26 |
| 10701019 | 6001_02 | 4 |
| 10701020 | 2000_03 | 20 |
| 10701022 | 6001_02 | 3 |
| 10701024 | 6001_02 | 2 |
| 10701029 | 6001_02 | 6 |
| 10701036 | 2002_02 | 36 |
| 10701050 | 2002_02 | 11 |
| 10701051 | 2002_02 | 1 |
| 10701056 | 3000_03 | 1 |
| 10701094 | 2000_03 | 1 |
| 10701148 | 2000_03 | 25 |
| 10701173 | 2006 | 3 |
| 10701209 | 2005 | 12 |
| 10701210 | 2005 | 12 |
| 10701240 | 2003 | 21 |
| 10701254 | 2006 | 3 |
| 10701292 | 1001_03 | 35 |
| 10701313 | 1001_03 | 35 |
| 10701324 | 3001 | 10 |
| 10701326 | 2003 | 4 |
| 10701363 | 4000 | 21 |
| 10701374 | 2006 | 1 |
| 10701383 | 1001_03 | 28 |
| 10701391 | 1001_03 | 24 |
| 10701391 | 1001_03 | 29 |
| 10701391 | 6001_02 | 26 |
| 10701392 | 1001_03 | 30 |
| 10701392 | 6001_02 | 27 |
| 10701395 | 1010 | 1 |
| 10701400 | 3000_03 | 2 |
| 10701412 | 2007_02 | 20 |
| 10701413 | 1000 | 15 |
| 10701426 | 2003 | 9 |
| 10701437 | 4000 | 10 |
| 10701437 | 4000 | 11 |
| 10701473 | 2007_02 | 33 |
| 10701527 | 1000 | 27 |
| 10701627 | 4000 | 1 |
| 10701642 | 2000_03 | 11 |
| 10705232 | 2006 | 16 |
| 10705233 | 2006 | 19 |
| 10705245 | 2004 | 1 |
| 10705528 | 1000 | 7 |
| 10705529 | 1000 | 8 |
| 10705529 | 2005 | 7 |
| 10705590 | 4000 | 1 |
| 10705592 | 1001_03 | 17 |
| 10705592 | 3001 | 6 |
| 10705706 | 1000 | 5 |
| 10705706 | 2005 | 18 |
| 10705707 | 1000 | 6 |
| 10705708 | 1000 | 6 |
| 10705710 | 1001_03 | 8 |
| 10705713 | 2005 | 15 |
| 10705714 | 2005 | 15 |
| 10705715 | 2005 | 12 |
| 10705716 | 2005 | 12 |
| 10705717 | 1000 | 5 |
| 10705717 | 2005 | 18 |
| 10705759 | 2007_02 | 33 |

| Code | No. table | Pos. |
|-----------|-----------|------|
| 10705788 | 2007_02 | 33 |
| 10705801 | 1000 | 16 |
| 10705809 | 2000_03 | 23 |
| 10705964 | 1001_03 | 2 |
| 10705966 | 1000 | 1 |
| 10705966 | 1000 | 3 |
| 10705968 | 1000 | 1 |
| 10705979 | 1000 | 3 |
| 10706035 | 2003 | 27 |
| 10781311 | 1000 | 15 |
| 10905117 | 1001_03 | 23 |
| 10905122 | 1001_03 | 23 |
| 20200113 | 2004 | 14 |
| 21000010B | 1001_03 | 12 |
| 23000092 | 4000 | 12 |
| 23000093 | 4000 | 12 |
| 23000098V | 4000 | 2 |
| 23000100 | 4000 | 4 |
| 23000128 | 2005 | 22 |
| 23000135 | 2000_03 | 22 |
| 23000136 | 1000 | 21 |
| 23000144 | 2004 | 6 |
| 23000192 | 4000 | 12 |
| 23000194 | 2006 | 37 |
| 23000277 | 1001_04 | 14 |
| 23000277 | 6001_02 | 15 |
| 23000277 | 6001_02 | 8 |
| 23000288 | 2007_02 | 11 |
| 23000289 | 2000_03 | 31 |
| 23000299 | 2006 | 30 |
| 23000299 | 2007_02 | 21 |
| 23000309 | 2000_03 | 10 |
| 23000322 | 2000_03 | 6 |
| 23000332 | 1001_04 | 5 |
| 23000333 | 1001_03 | 34 |
| 23212035 | 2003 | 11 |
| 23220001 | 2000_03 | 36 |
| 23220014 | 2000_03 | 37 |
| 24300010 | 2002_02 | 32 |
| 25111006 | 2003 | 11 |
| 25128014 | 2004 | 6 |
| 25128015 | 2004 | 6 |
| 25135017 | 1001_04 | 12 |
| 25135017 | 2004 | 13 |
| 25135019 | 1001_04 | 11 |
| 25135019 | 2004 | 5 |
| 26220005 | 1001_04 | 3 |
| 26220005 | 2003 | 17 |
| 26220005 | 2004 | 8 |
| 26220005 | 4000 | 6 |
| 27350001 | 2000_03 | 17 |
| 27350001 | 2000_03 | 35 |
| 27350014 | 2000_03 | 7 |
| 27350014 | 2006 | 11 |
| 27350014 | 2007_02 | 21 |
| 27350014 | 6001_02 | 13 |
| 30001047 | 2006 | 10 |
| 30001048 | 2002_02 | 19 |
| 32210001 | 2003 | 3 |
| 32239044 | 2003 | 26 |
| 32331403 | 2005 | 10 |
| 32331404 | 2005 | 9 |
| 32331410 | 1001_03 | 17 |
| 32331413 | 2003 | 12 |
| 32331413 | 4000 | 17 |
| 32331419 | 1000 | 20 |
| 32331435 | 1000 | 26 |

| Code | No. table | Pos. |
|-----------|-----------|------|
| 32331443 | 2002_02 | 20 |
| 32331498 | 2002_02 | 14 |
| 32331595 | 3000_03 | 12 |
| 32331698 | 1000 | 29 |
| 32331775 | 1001_03 | 20 |
| 32331779 | 1001_03 | 20 |
| 32331780 | 2000_03 | 13 |
| 32331786 | 6001_02 | 9 |
| 32332038 | 1001_04 | 29 |
| 32332077 | 1001_04 | 18 |
| 32332120 | 1001_03 | 33 |
| 32332144 | 1010 | 1 |
| 32332145 | 1010 | 2 |
| 32332149 | 1001_03 | 28 |
| 32332163 | 1010 | 3 |
| 32332164 | 1010 | 4 |
| 32332165 | 1010 | 5 |
| 32332166 | 1010 | 6 |
| 32332167 | 1010 | 7 |
| 32332168 | 1010 | 8 |
| 32551057 | 1000 | 2 |
| 32551057A | 1000 | 2 |
| 34010014 | 1001_04 | 30 |
| 34010015A | 2005 | 24 |
| 34011038A | 1001_04 | 25 |
| 34011038A | 6001_02 | 6 |
| 34020017 | 2007_02 | 3 |
| 34020034 | 2005 | 17 |
| 34020125 | 2002_02 | 35 |
| 34021013 | 3000_03 | 24 |
| 34030077 | 3000_03 | 6 |
| 34040156 | 2001_02 | 12 |
| 34040156 | 2007_02 | 38 |
| 34040156 | 6001_02 | 21 |
| 34040158 | 1001_04 | 16 |
| 34040158 | 6001_02 | 15 |
| 34040177 | 2000_03 | 29 |
| 34040178 | 2000_03 | 3 |
| 34040179 | 2007_02 | 28 |
| 34040181 | 2000_03 | 3 |
| 34040182 | 2007_02 | 28 |
| 34040183 | 2000_03 | 29 |
| 34040184 | 2000_03 | 3 |
| 34040197 | 2007_02 | 22 |
| 34040198 | 2007_02 | 23 |
| 34049006 | 2007_02 | 28 |
| 34049007 | 2007_02 | 28 |
| 34049011 | 2007_02 | 23 |
| 34049012 | 2007_02 | 22 |
| 34049013 | 2007_02 | 23 |
| 34049014 | 2007_02 | 22 |
| 34049018 | 6001_02 | 15 |
| 34070021 | 3000_03 | 9 |
| 34070075 | 1001_03 | 17 |
| 34070075 | 3001 | 3 |
| 34070160 | 3000_03 | 11 |
| 34070235 | 1001_03 | 32 |
| 34070236 | 1001_03 | 31 |
| 34070236 | 3000_03 | 22 |
| 34070236 | 3001 | 24 |
| 34070300 | 3000_03 | 7 |
| 34070313 | 1001_04 | 38 |
| 34100021 | 1010 | 9 |
| 34100021 | 3000_03 | 5 |
| 34160024 | 2006 | 13 |
| 34200071 | 2002_02 | 39 |
| 34200071 | 3001 | 16 |

| Code | No. table | Pos. |
|----------|-----------|------|
| 34200177 | 3000_03 | 8 |
| 34200288 | 2006 | 14 |
| 34200289 | 3000_03 | 25 |
| 34200289 | 3000_03 | 3 |
| 34200301 | 3001 | 16 |
| 34200323 | 2000_03 | 13 |
| 34200323 | 3000_03 | 15 |
| 34200328 | 1001_03 | 28 |
| 34200358 | 1001_04 | 26 |
| 34300072 | 3000_03 | 4 |
| 34300074 | 3000_03 | 4 |
| 34300075 | 3000_03 | 4 |
| 34300079 | 3000_03 | 4 |
| 34300098 | 3000_03 | 4 |
| 35002509 | 2000_03 | 14 |
| 35002513 | 2000_03 | 14 |
| 36130008 | 2006 | 20 |
| 36201035 | 2006 | 4 |
| 36220009 | 1001_04 | 6 |
| 36220009 | 2003 | 6 |
| 36220009 | 2004 | 2 |
| 36220009 | 2006 | 20 |
| 36230001 | 2003 | 25 |
| 36230017 | 4000 | 10 |
| 36230021 | 4000 | 10 |
| 36301040 | 1001_04 | 10 |
| 36301040 | 2004 | 4 |
| 36301105 | 2003 | 20 |
| 36322006 | 2007_02 | 4 |
| 36404013 | 2006 | 20 |
| 36404013 | 4000 | 11 |
| 36404022 | 1001_04 | 9 |
| 36404022 | 2003 | 10 |
| 36404022 | 2004 | 12 |
| 36404022 | 4000 | 2 |
| 36404053 | 2006 | 20 |
| 36404054 | 2006 | 36 |
| 36404054 | 4000 | 20 |
| 36404056 | 1001_04 | 15 |
| 36404056 | 6001_02 | 15 |
| 36404056 | 6001_02 | 20 |
| 36405002 | 1000 | 17 |
| 36901951 | 1000 | 23 |
| 36901952 | 1001_03 | 17 |
| 36901955 | 2006 | 2 |
| 36930016 | 1001_04 | 8 |
| 36930016 | 2003 | 7 |
| 36930017 | 2003 | 8 |
| 36930017 | 2004 | 3 |
| 36930110 | 2002_02 | 10 |
| 36930111 | 2002_02 | 22 |
| 36990004 | 2003 | 9 |
| 36990024 | 4000 | 19 |
| 36990025 | 1000 | 28 |
| 36990025 | 2005 | 21 |
| 36990026 | 2005 | 13 |
| 36990058 | 4000 | 22 |
| 36990078 | 2003 | 23 |
| 36990083 | 1001_04 | 31 |
| 37030309 | 1000 | 12 |
| 37030408 | 1010 | 10 |
| 37030408 | 2006 | 13 |
| 37030409 | 1001_03 | 13 |
| 37040409 | 2002_02 | 26 |
| 37040409 | 2002_02 | 40 |
| 37040410 | 1000 | 26 |
| 37040410 | 1000 | 29 |

| Code | No. table | Pos. |
|----------|-----------|------|
| 37040410 | 4000 | 18 |
| 37040411 | 1001_03 | 7 |
| 37040412 | 1000 | 20 |
| 37040420 | 1001_03 | 18 |
| 37040420 | 1001_03 | 19 |
| 37040420 | 1001_03 | 27 |
| 37040510 | 2003 | 13 |
| 37040510 | 2006 | 35 |
| 37040621 | 2006 | 32 |
| 37041020 | 1010 | 11 |
| 37060306 | 2002_02 | 38 |
| 37113508 | 1001_03 | 33 |
| 37113508 | 2005 | 11 |
| 37155003 | 1001_03 | 20 |
| 37155011 | 2002_02 | 25 |
| 37155012 | 1001_03 | 20 |
| 37155012 | 1001_04 | 33 |
| 37155025 | 1001_03 | 4 |
| 37320603 | 1000 | 24 |
| 37320603 | 1000 | 26 |
| 37321201 | 4000 | 23 |
| 37370301 | 1000 | 24 |
| 37410300 | 2005 | 11 |
| 37410303 | 1010 | 12 |
| 37411001 | 2006 | 25 |
| 37420300 | 1001_04 | 19 |
| 37420300 | 2002_02 | 38 |
| 37420300 | 6001_02 | 11 |
| 37420401 | 1001_04 | 21 |
| 37420501 | 1001_04 | 35 |
| 37420601 | 2006 | 33 |
| 37430400 | 1001_04 | 23 |
| 37430400 | 2006 | 13 |
| 37431200 | 4000 | 24 |
| 37431600 | 1001_04 | 4 |
| 37431600 | 2003 | 18 |
| 37431600 | 2004 | 7 |
| 37431600 | 4000 | 7 |
| 37510320 | 1000 | 21 |
| 37510600 | 1001_04 | 32 |
| 37510700 | 2003 | 24 |
| 37900115 | 1001_03 | 26 |
| 37901002 | 1001_03 | 9 |
| 38120054 | 1010 | 13 |
| 38120072 | 1000 | 16 |
| 38120075 | 2005 | 4 |
| 38120076 | 2005 | 6 |
| 38120077 | 1001_03 | 11 |
| 38120086 | 1001_03 | 3 |
| 38120087 | 1001_03 | 5 |
| 38120087 | 2003 | 2 |
| 38120088 | 1001_03 | 14 |
| 38120088 | 2003 | 2 |
| 38120089 | 1001_03 | 15 |
| 38120090 | 1001_03 | 16 |
| 38120097 | 1000 | 24 |
| 38120115 | 2002_02 | 31 |
| 38120119 | 2002_02 | 30 |
| 38120120 | 2002_02 | 29 |
| 38120121 | 1000 | 10 |
| 38120126 | 1000 | 22 |
| 38120127 | 2007_02 | 32 |
| 38120127 | 6001_02 | 7 |
| 38120163 | 1000 | 4 |
| 38120209 | 1001_03 | 24 |
| 38120211 | 1001_03 | 22 |
| 38120256 | 1001_03 | 15 |

| Code | No. table | Pos. |
|----------|-----------|------|
| 38120257 | 1001_03 | 15 |
| 38120258 | 1001_03 | 15 |
| 38120258 | 1001_03 | 16 |
| 38120317 | 1001_04 | 34 |
| 38120318 | 1000 | 16 |
| 38120337 | 2007_02 | 20 |
| 38120580 | 2005 | 3 |
| 38120581 | 2005 | 5 |
| 38120589 | 1001_04 | 37 |
| 38123568 | 1000 | 13 |
| 38123852 | 1000 | 14 |
| 38221007 | 1000 | 5 |
| 38221017 | 1000 | 11 |
| 38221018 | 1000 | 11 |
| 38228072 | 2000_03 | 16 |
| 38228072 | 2002_02 | 15 |
| 38228072 | 2007_02 | 14 |
| 38228072 | 6001_02 | 19 |
| 38228073 | 2001_02 | 1 |
| 38228073 | 2003 | 15 |
| 38228073 | 2004 | 11 |
| 38228073 | 2007_02 | 13 |
| 38228073 | 4000 | 8 |
| 38228074 | 2007_02 | 29 |
| 38903002 | 1000 | 19 |
| 38910003 | 1010 | 14 |
| 39110026 | 2002_02 | 34 |
| 39110035 | 2003 | 22 |
| 39110038 | 1001_04 | 7 |
| 39110038 | 2003 | 28 |
| 39110062 | 1001_03 | 25 |
| 39920006 | 1001_03 | 10 |
| 39920015 | 1000 | 18 |
| 45010208 | 1000 | 4 |
| 45010208 | 1001_03 | 24 |
| 45010209 | 1000 | 4 |
| 45010209 | 1001_03 | 24 |
| 69000174 | 1010 | 15 |
| 69000244 | 2000_03 | 15 |
| 69000288 | 2007_02 | 1 |
| 69000336 | 1000 | 8 |
| 69000337 | 2005 | 7 |
| 69000338 | 1000 | 8 |
| 69000339 | 2005 | 8 |
| 69000415 | 2000_03 | 2 |
| 69000417 | 2006 | 2 |
| 69000737 | 2007_02 | 12 |
| 69150018 | 1001_04 | 13 |
| 69150018 | 6001_02 | 25 |
| 69200072 | 1000 | 19 |
| 69200072 | 1000 | 21 |
| 69200073 | 2005 | 23 |
| 69200130 | 1001_04 | 1 |
| 69200130 | 2007_02 | 41 |
| 69200130 | 6001_02 | 24 |
| 69200133 | 2002_02 | 16 |
| 69200134 | 2007_02 | 21 |
| 69200134 | 2007_02 | 37 |
| 69200135 | 2006 | 28 |
| 69200135 | 2006 | 40 |
| 69200135 | 2007_02 | 16 |
| 69200135 | 4000 | 3 |
| 69200137 | 2007_02 | 8 |
| 69200139 | 2007_02 | 17 |
| 69200140 | 1001_04 | 2 |
| 69200140 | 2003 | 14 |
| 69200140 | 2004 | 10 |

| Code | No. table | Pos. |
|----------|-----------|------|
| 69200140 | 2004 | 15 |
| 69200140 | 4000 | 5 |
| 69200141 | 2006 | 31 |
| 69200142 | 2000_03 | 5 |
| 69200146 | 2004 | 10 |
| 69200147 | 1001_04 | 17 |
| 69200147 | 6001_02 | 14 |
| 69200148 | 6001_02 | 28 |
| 69200150 | 2007_02 | 34 |
| 69200151 | 2007_02 | 35 |
| 69200162 | 2001_02 | 5 |
| 69200162 | 6001_02 | 18 |
| 69200164 | 2007_02 | 7 |
| 69200165 | 2007_02 | 6 |
| 69200171 | 2007_02 | 9 |
| 69200173 | 2000_03 | 12 |
| 69200174 | 2007_02 | 38 |
| 69200174 | 6001_02 | 21 |
| 69200187 | 2000_03 | 27 |
| 69200187 | 2007_02 | 30 |
| 69200187 | 2007_02 | 40 |
| 69200187 | 6001_02 | 23 |
| 69200188 | 2007_02 | 39 |
| 69200188 | 6001_02 | 22 |
| 69200190 | 2007_02 | 18 |

Contacts

HEADQUARTERS, PRODUCTION PLANT AND R&D CENTERS

Rancilio Group s.p.a.
Viale della Repubblica 40
20010 Villastanza di Parabiago
Milano - Italy
Tel +39 0331 408200
Fax +39 0331 551437
www.ranciliogroup.com
info@ranciliogroup.com

Egro Suisse AG
Bahnhofstrasse 66
5605 Dottikon - Switzerland
Tel. +41 (0)56 616 95 95
Fax +41 (0)56 616 95 97
www.egrocoffee.com
info@egrocoffee.com

WORLDWIDE BRANCH LOCATIONS

SPAIN

RancilioGroup Espana, s.a.
Gran Via de Carlos III, 84 3ª
Edificio Trade
08028 Barcelona - Spain
Ph. +34 902 884 275
Ph. +34 934 923 414
Fax +34 934 965 701
www.ranciliogroup.com
info-es@ranciliogroup.com

PORTUGAL

Rancilio Group Portugal Lda
Estrada da Falagueira nº 68 E
2700-365 Amadora-Lisboa - Portugal
Ph. + 351 21 019 10 91
Fax + 351 21 019 10 91

Rua Nova do Seixo 1282
4465-706 Leca do Balio-Porto - Portugal
Ph. + 351 22 010 14 19
Fax + 351 22 010 14 19
www.ranciliogroup.com
info-pt@ranciliogroup.com

GERMANY

Rancilio Group Deutschland GmbH
Talstrasse 27
97990 Weikersheim - Germany
Ph. +49 7934 99 29 30
Fax +49 7934 99 29 330
www.ranciliogroup.de
info-de@ranciliogroup.com

SWITZERLAND

Egro Suisse AG
Bahnhofstrasse 66
5605 Dottikon - Switzerland
Tel. +41 (0)56 616 95 95
Fax +41 (0)56 616 95 97
www.egrosuisse.ch
info@egrosuisse.ch

USA/CANADA

RancilioGroup North America Inc.
1340 Internationale Parkway / Suite
200
Woodridge, IL 60517 - U.S.A.
Ph: +1 630 914 7900
Fax: +1 630 914 7901
Toll Free: +1 877 726 2454
www.ranciliogroup.com
info@ranciliogroupna.com

