



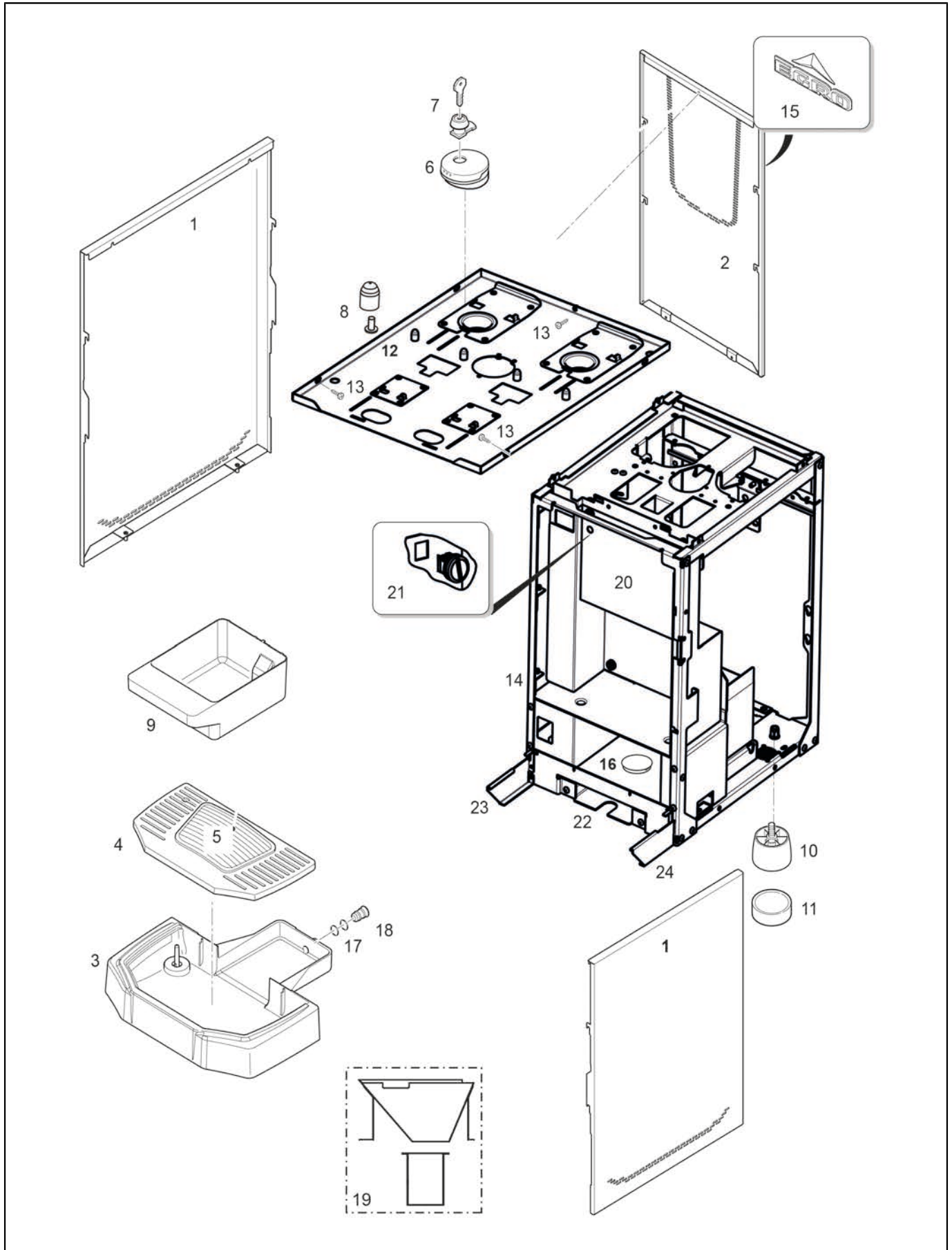
# EGRO ZERO PURE COFFEE



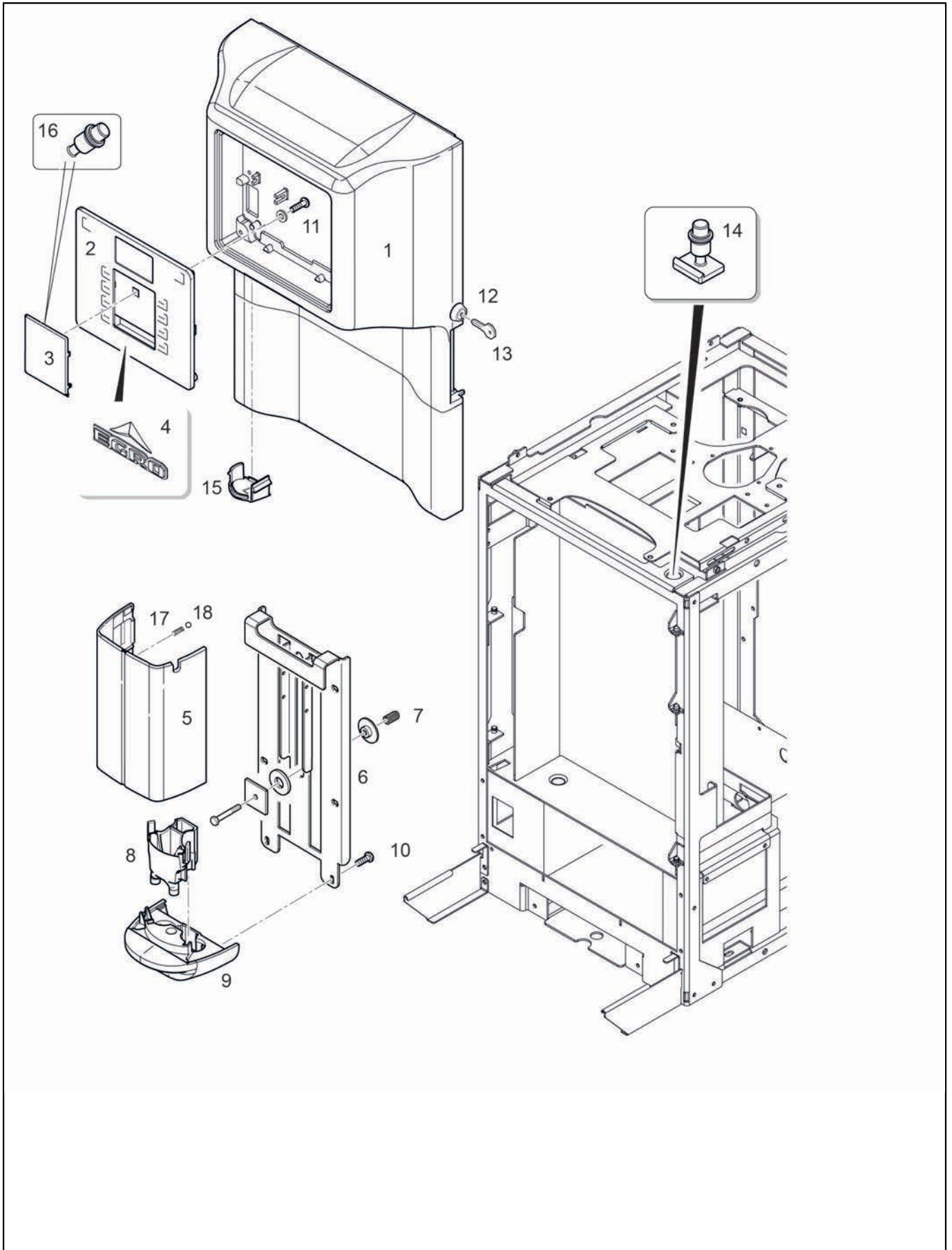
EGRO ZERO

## Index

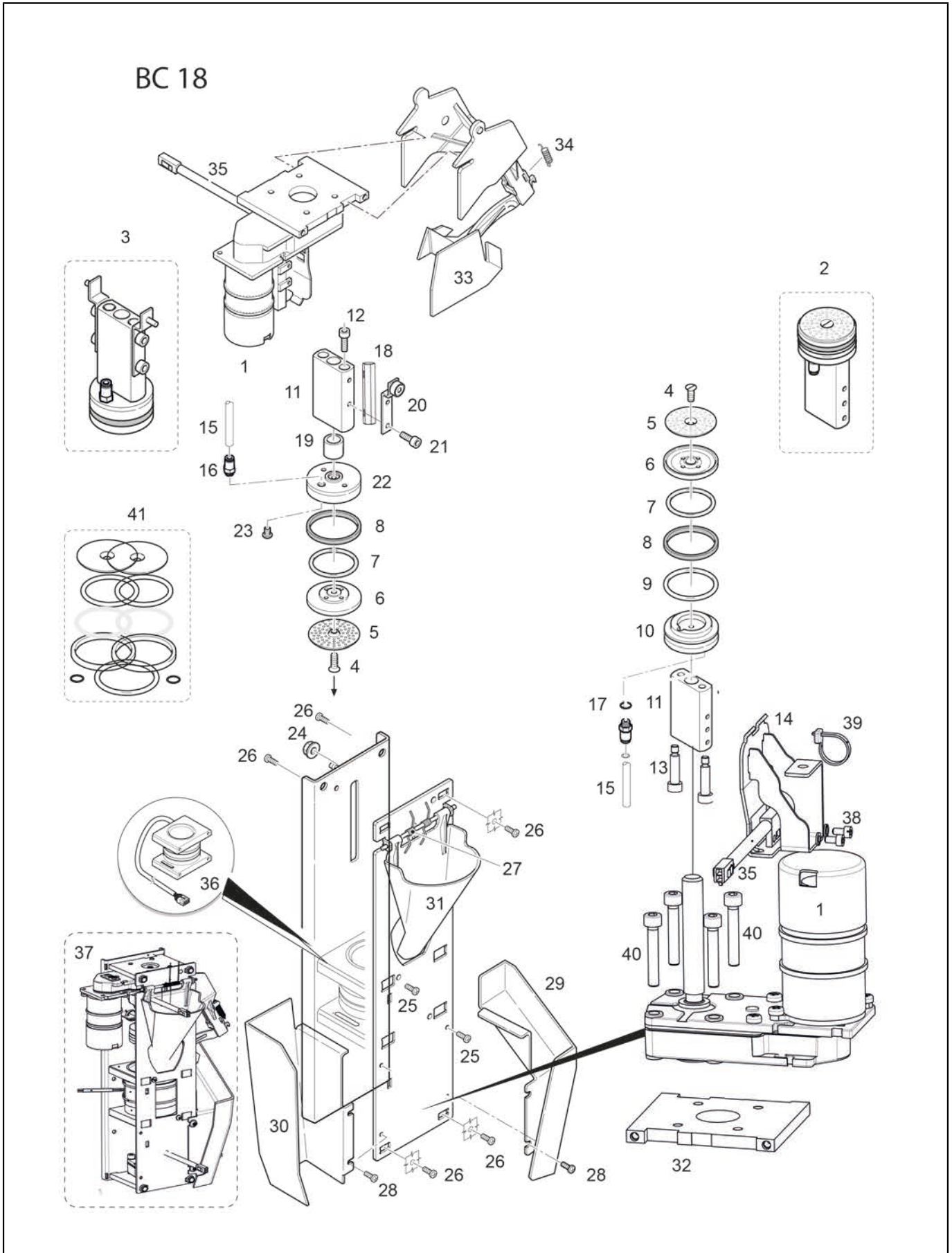
|  |    |
|--|----|
| Table 1000 - Housing.....                        | 4  |
| Table 1001 - Front Panel.....                    | 6  |
| Table 2001 - Coffee Brewing Group.....           | 8  |
| Table 2002 - Bean Hopper-Grinders.....           | 12 |
| Table 2003 - Water Inlet System.....             | 14 |
| Table 2000 - Coffee line .....                   | 16 |
| Table Z3001 - Electric Cable.....                | 18 |
| Table 3000 - Electric Part/Electronic Board..... | 20 |
| Table 5000 - Water spout/steam wand.....         | 22 |
| Table 5002 - Steam boiler.....                   | 24 |
| Alphanumeric index.....                          | 26 |



| POS. | CODE      | DESCRIPTION                                 | NOTES |
|------|-----------|---|-------|
| 1    | 32551162A | SIDE PANEL ZERO                             |       |
| 2    | 32551163A | REAR PANEL ZERO                             |       |
| 3    | 10705750  | RETROFIT KIT DRIP TRAY/16 ZERO              |       |
|      | 34020129  | MAGNET 10 X 6                               |       |
| 4    | 10781312  | CUP TRAY ZERO SELF                          |       |
|      | 32331489  | CUP TRAY ZERO                               |       |
| 5    | 38120591  | CUP TRAY GRID BLACK                         |       |
| 6    | 10705698  | COFFEE POWDER INLET ASSY.                   |       |
|      | 10705708  | COFFEE POWDER INLET SELF ASSY               |       |
| 7    | 10705529  | LOCK ASSAY. RONIS M15X17,5 WITH HOOK 25.5MM |       |
| 8    | 69000337  | LOCK 90 M15 X 17,5                          |       |
| 9    | 38120205  | COFFEE WASTE DRAWER ZERO                    |       |
| 10   | 38123568  | MACHINE FOOT                                |       |
| 11   | 38123852  | RISER FOR MACHINE FOOT                      |       |
| 12   | 10700313  | TOP LID 1 GRINDER                           |       |
|      | 10700314  | TOP LID 2 GRINDER                           |       |
|      | 10700315  | TOP LID 1GRIDER+1POWDER                     |       |
|      | 10700316  | TOP LID 2 GRINDER+1POWDER                   |       |
|      | 10700317  | TOP LID 2GRINDER+2POWDER                    |       |
| 13   | 00046844  | SCREW M4 X 8 MM                             |       |
| 14   | 10880306  | INTERNAL DOOR                               |       |
|      | 32551190  | INTERNAL DOOR ZERO NO TANK                  |       |
| 15   | 45010209  | Sticker &quot;EGRO LOGO&quot; big           |       |
| 16   | 38221020  | CAP D. 88,9 BLACK                           |       |
| 17   | 36404059  | O-RING 14X1,78 NBR70 BLACK 2056             |       |
| 18   | 36990037  | DRAIN TRAY CAP ZERO                         |       |
| 19   | 38120253  | WASTE FUNNEL ZERO                           |       |
|      | 38120254  | WASTE EXTENSION                             |       |
| 20   | 23000306  | PIVOT CLOSING LOCK ZERO/14                  |       |
| 21   | 32551291  | INTERNAL COVER ZERO/14                      |       |
| 22   | 38120212  | COVER DRIP TRAY ZERO                        |       |

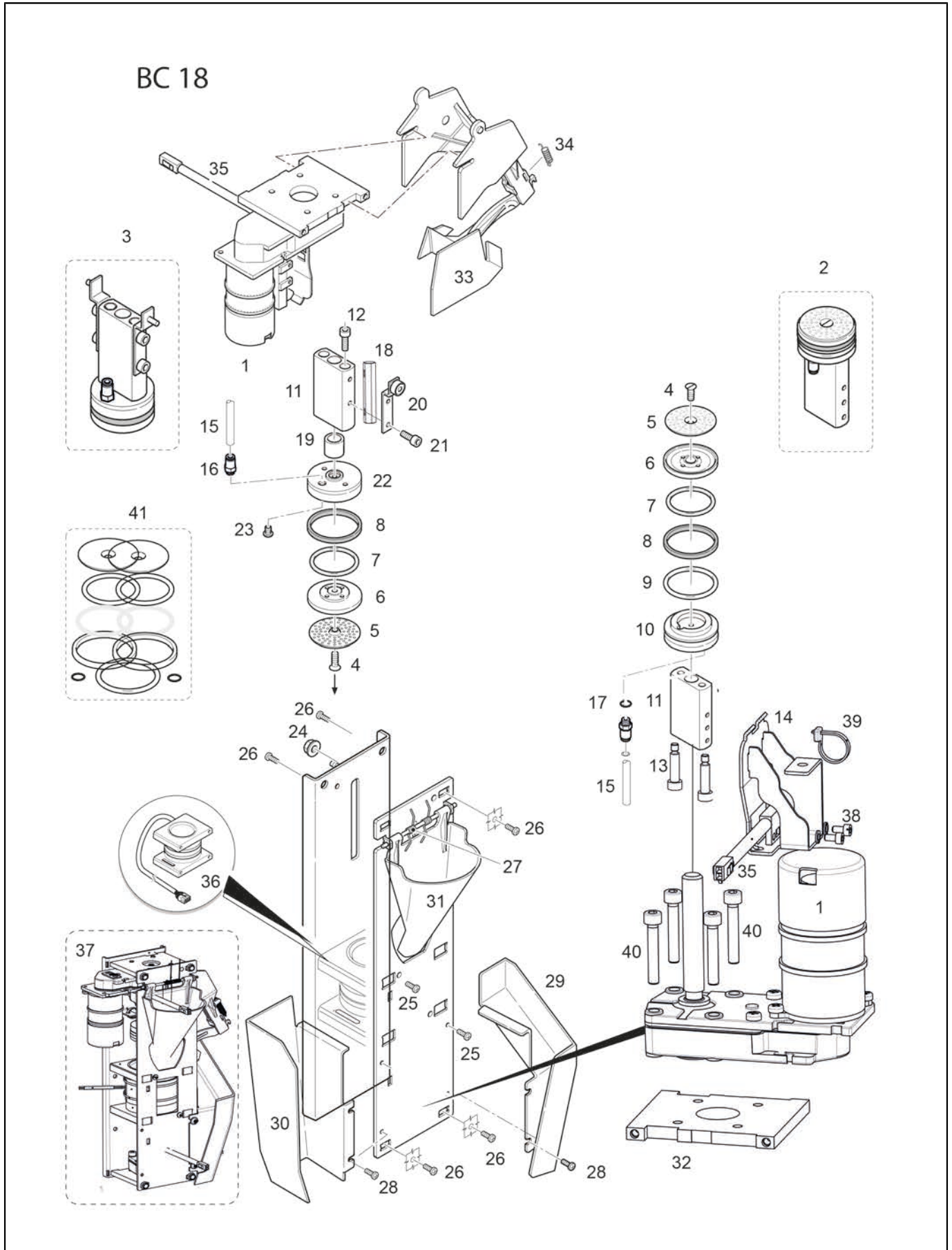


| POS. | CODE     | DESCRIPTION                                  | NOTES |
|------|----------|--|-------|
| 1    | 10700303 | FRONT PANEL ASSY. NO STEAM                   |       |
|      | 10700304 | FRONT PANEL ASSY. WITH STEAM                 |       |
|      | 10700312 | FRONT PANEL ASSY. QUICK MILK                 |       |
|      | 10700319 | FRONT PANEL ASSY. QUICK MILK WITH STEAM WAND |       |
| 2    | 10705690 | CAPACITIVE KEYPAD ZERO                       |       |
| 4    | 45010208 | Sticker "EGRO LOGO" small                    |       |
| 5    | 10905151 | COVER COFFEE OUTLET EGRO ZERO                |       |
| 6    | 10701145 | RETROFIT KIT ZERO QM NMS                     |       |
|      | 32331407 | COFFEE OUTLET BASEPLATE                      |       |
| 7    | 00001517 | 6-EDGE NUT SELF LOCKING M4                   |       |
|      | 00017719 | WASHER M4 INOX                               |       |
|      | 00040706 | PLANE WASHER 4,5 X 20 X 1                    |       |
|      | 00048354 | HEX SCREW M4 X 30                            |       |
|      | 00054944 | SCREW WITH SPRING ASSAY.                     |       |
|      | 00055483 | SPRING                                       |       |
|      | 36930101 | BUSH FOR SPRING COFFEE OUTLET                |       |
|      | 36930102 | SPACER COFFEE OUTLET                         |       |
| 8    | 00047077 | FLOW CUP SELF                                |       |
|      | 00047078 | FLOW CUP STANDARDT                           |       |
| 9    | 10701274 | Outlet ONE Old Milk System assy.             |       |
| 10   | 37113535 | SELFSCREW M3,5X35                            |       |
| 11   | 38120193 | FRONT PANEL ZERO                             |       |
| 12   | 32551187 | CLOSING PANEL ZERO                           |       |
| 13   | 10705529 | LOCK ASSAY. RONIS M15X17,5 WITH HOOK 25.5MM  |       |
|      | 69000337 | LOCK 90 M15 X 17,5                           |       |
| 14   | 10700309 | FRONT PANEL BUTTON ASSY.                     |       |
| 15   | 38120213 | WAND CAP ZERO                                |       |
| 16   | 10701035 | PUSH BUTTON PRODUCT LIST ZERO                |       |
|      | 23000223 | BUTTONS SLIDER LABEL SHAFT                   |       |
|      | 34200212 | CLAMP + SCREW                                |       |
|      | 36930018 | BUTTON FOR PRODUCT LABEL                     |       |
|      | 39110062 | AT BALL SPRING                               |       |
| 17   | 37900115 | BALL 1/4 100                                 |       |
| 18   | 39110062 | AT BALL SPRING                               |       |

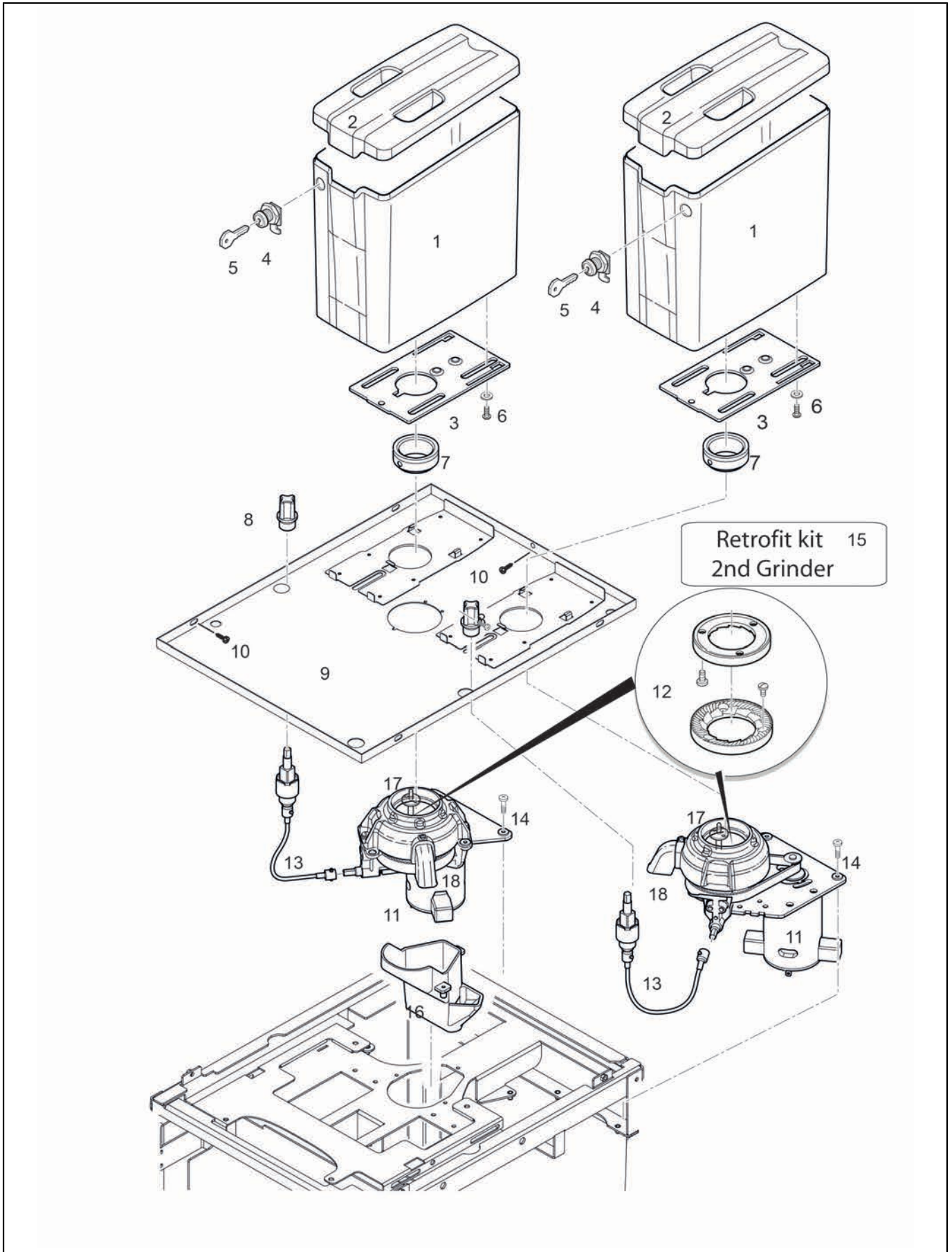




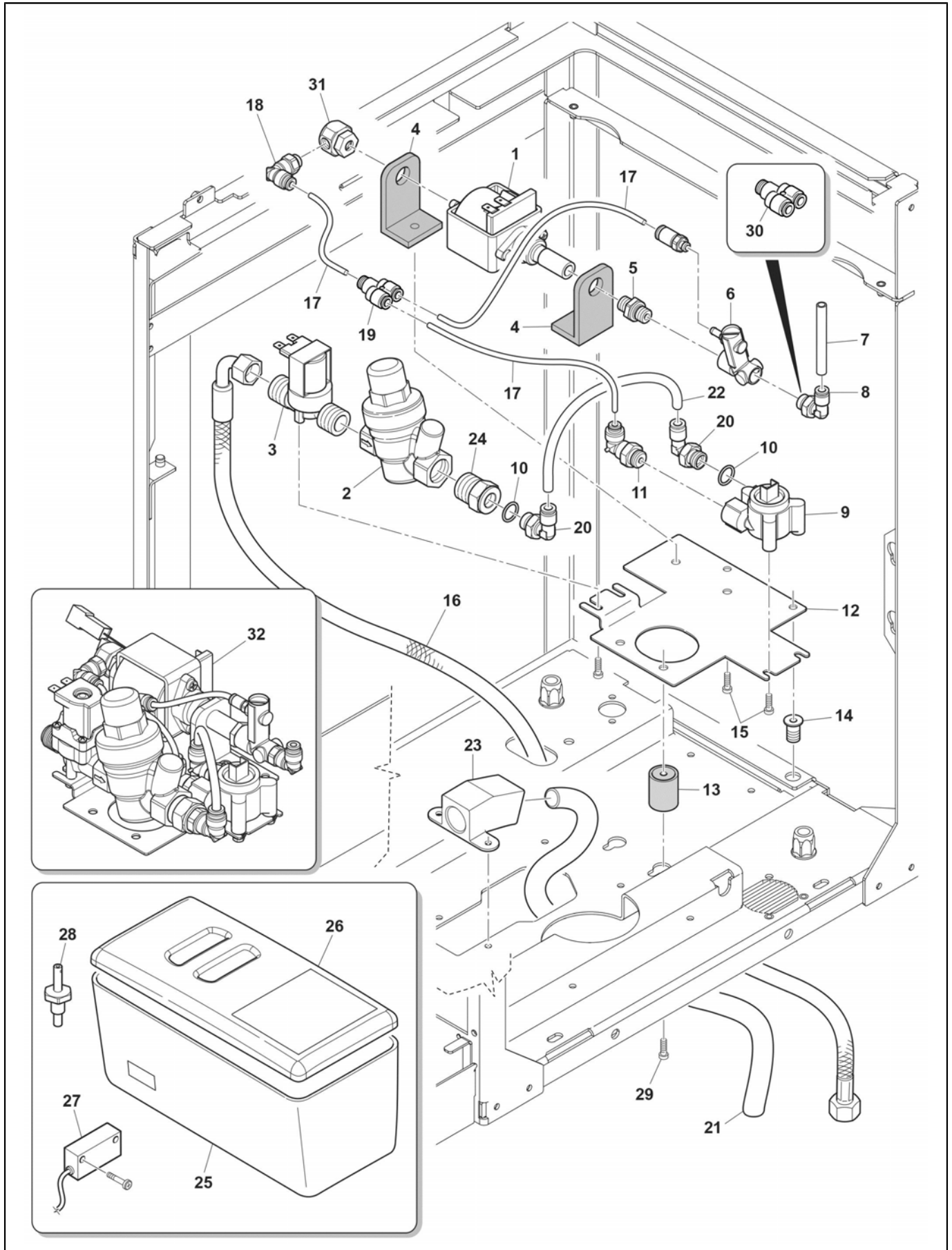
| POS. | CODE         | DESCRIPTION                                     | NOTES  |
|------|--------------|---|--|
| 1    | 10701051     | SPINDLE MOTOR WITH SENSOR                       | for Egro ONE: S/N 12009467 PIN 108293  |
| 2    | 10700177     | LOWER PISTON BC18                               |  |
| 3    | 10700176     | UPPER PISTON BC18                               |  |
| 4    | 00001176     | COUNTERSUNK SCREW M4X12 MM                      |  |
| 5    | 00060116     | BREWING SIEVE D. 44 MM                          |  |
| 6    | 00054861     | FILTER CARRIER                                  |  |
| 7    | 00100136.001 | O-RING 31,35 X 3,53 SILICONE 70SH RED           |  |
| 8    | 00039064     | TURCON RING 32 X 44 X 4,2                       |  |
| 9    | 00100506.001 | O-RING 36,09 X 3,53 SILICONE 70SH               |  |
| 10   | 36930110     | LOWER PISTON GR. BC18                           |  |
| 11   | 10701050     | PISTON SHAFT WITH MAGNET                        | piston shaft for BC18, ATTENTION to the magnet position. (could be used also on L61 or previous groups, put the magnet on the opposite side) albero pistone per BC18, ATTENZIONE alla posizione del magnete. (può essere utilizzato su gruppi L61 o precedenti posizionando al contrario il magnete) |
| 12   | 00000930     | HEX SOCKET HEAD SCREW M5 X 25 MM                |  |
| 13   | 00048548     | HEX SOCKET HEAD SCREW FOR PEEK PISTONM4 X 15 MM |  |
| 14   | 32331498     | PISTON GUIDE REED                               |  |
| 15   | 38228072     | TEFLON HOSE FEP D. 4,0 X 2,5                    |  |
| 16   | 69200133     | STRAIGHT CONNECTOR D.4 X M5                     |  |
| 17   | 00060283     | O-RING 4 X 1,2 F                                |  |
| 18   | 00045032     | NUT   |  |
| 19   | 30001048     | SPACER PISTON GUIDE                             |  |
| 20   | 32331443     | BRACKET UPPER PISTON                            |  |
| 21   | 00000928     | HEX SOCKET HEAD SCREW M4 X10 MM                 |  |
| 22   | 36930111     | UPPER PISTON GROUP BC18                         |  |
| 23   | 00048550     | FLOW LIMITER D. 0.7                             |  |
| 24   | 00001521     | KEPS NUT M5                                     |  |
| 25   | 37155011     | SCREW ATF PT 4X10 TCB PH INOX                   |  |
| 26   | 37040409     | SCREW M4 X 8 TE                                 |  |
| 27   | 00060858     | TRANSMISSION ASSAY.                             |  |
| 28   | 00046844     | SCREW M4 X 8 MM                                 |  |
| 29   | 38120120     | SPINDLE MOTOR PROTECTION                        |  |
| 30   | 00048747     | GROUNDS SLIDE                                   | Fit for all generation brewing unit (L61/BC18)/ passt für alle Generationen von Brühgruppen (L61/BC18)   |
|      | 38120119     | GROUNDS SLIDER                                  | does not fit for Automatic spout - use metal version 00048747 / passt nicht für Automatischen Auslauf - Metall Ausführung verwenden 00048747   |
| 31   | 38120115     | COFFEE POWDER FUNNEL                            |  |
| 32   | 24300010     | SPINDLE MOTOR PLATE                             |  |
| 33   | 10700178     | EJECTOR BREWING GROUP                           |  |
| 34   | 39110026     | SPRING EJECTOR                                  |  |
| 35   | 34020125     | End switch Spindle motor                        |  |
| 36   | 10701036     | BREWING CHAMBER BC18                            |  |
| 37   | 10054002     | BREWING GROUP BC18                              |  |
| 38   | 37060306     | SCREW M3 X 6 TCEI                               |  |
|      | 37420300     | ELASTIC WASHER 3 X 0,8                          |  |
| 39   | 34200071     | FIXING CABLE CLAMP                              |  |
| 40   | 00000935     | HEX SOCKET HEAD SCREW M5 X 30 MM                |  |



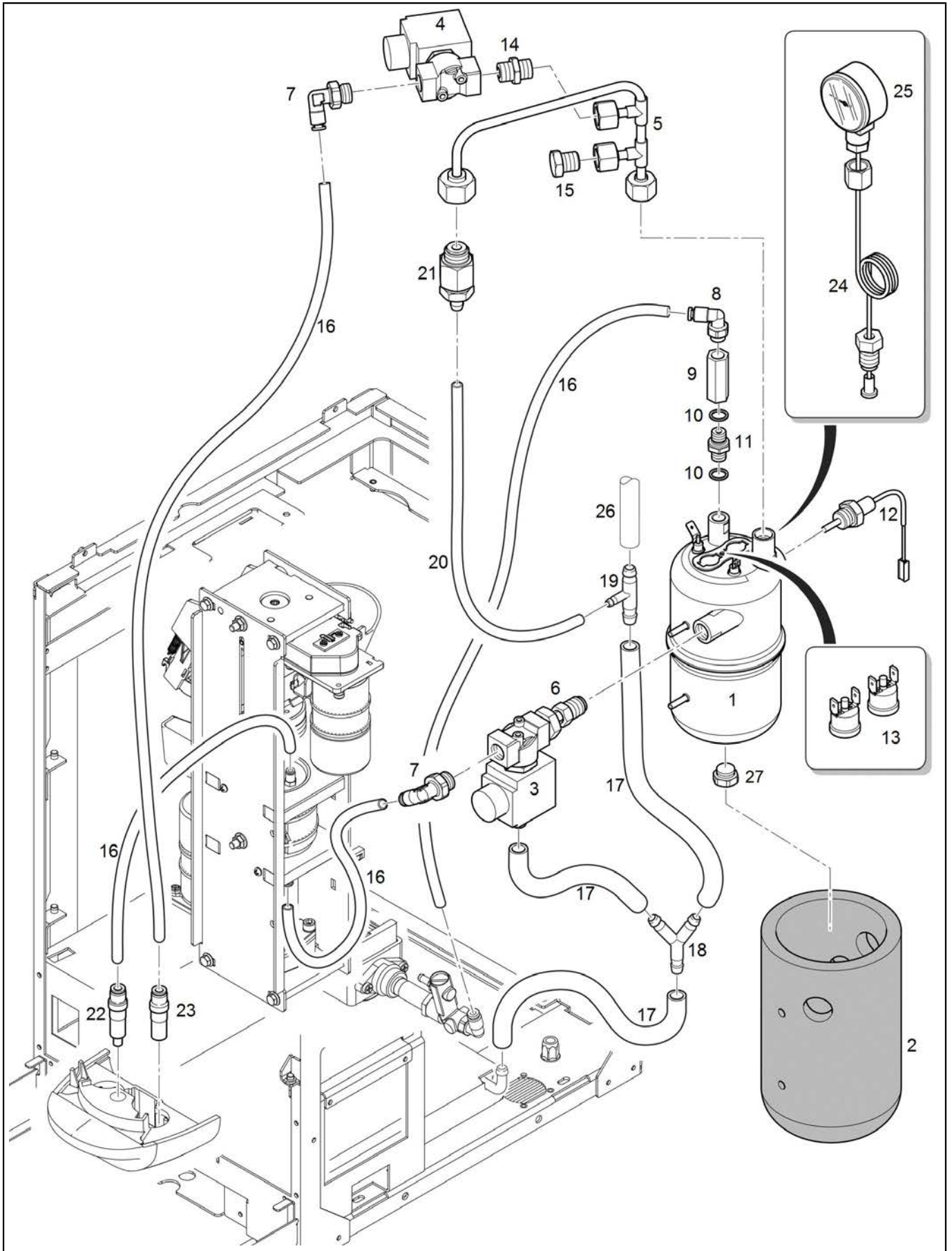
| POS. | CODE     | DESCRIPTION              | NOTES |
|------|----------|--------------------------|-------|
|      | 37040409 | SCREW M4 X 8 TE          |       |
| 41   | 00057446 | GASKET KIT BREWING GROUP |       |



| POS. | CODE     | DESCRIPTION                                 | NOTES   |
|------|----------|---|---|
| 1    | 10701347 | Bean hopper ZERO/16 ASSY                    |   |
| 2    | 38120192 | Lid for bean hopper ZERO                    |   |
| 3    | 32331910 | CLOSING SLIDER HOPPER ZERO/14               |   |
| 4    | 10705529 | LOCK ASSAY. RONIS M15X17,5 WITH HOOK 25.5MM |   |
| 5    | 69000337 | LOCK 90 M15 X 17,5                          |   |
| 6    | 37113508 | SELFSCREW M3X8                              |   |
|      | 37410300 | PLANE WASHER D3.2X9                         |   |
| 7    | 36990034 | BEAN INLET RUBBER ZERO                      |   |
| 8    | 38120217 | HANDLE GRINDER REGULATION                   |   |
| 9    | 10700313 | TOP LID 1 GRINDER                           |   |
|      | 10700314 | TOP LID 2 GRINDER                           |   |
| 10   | 00046844 | SCREW M4 X 8 MM                             |   |
| 11   | 10700305 | GRINDER RIGHT 230V                          |   |
|      | 10700306 | GRINDER LEFT 230V                           |   |
|      | 10700307 | GRINDER RIGHT 110V                          |   |
|      | 10700308 | GRINDER LEFT 110V                           |   |
| 12   | 69140036 | GRINDER BURRS ZERO                          |   |
| 13   | 39920017 | ELASTIC MOVEMENT GRINDER REGULATION ZERO    |   |
| 14   | 00001065 | RAISED CHEESE HEAD SCREW M3 X 16 MM         |   |
| 15   | 10701037 | RETROFIT KIT 2ND GRINDER 230V ZERO          |   |
|      | 10701038 | RETROFIT KIT 2ND GRINDER 110V ZERO          |   |
| 16   | 10705755 | RETROFIT KIT COFFEE FUNNEL                  | only compatible with grinder outlet<br>69140040 / nur kompatibel mit<br>Mühlenausgang 69140040        |
|      | 10705755 | RETROFIT KIT COFFEE FUNNEL                  |   |
| 17   | 69140039 | GEAR WHEEL WITH BELT                        |   |
| 18   | 10705755 | RETROFIT KIT COFFEE FUNNEL                  | only compatible new coffee collector<br>38120332 / nur kompatibel mit neuem<br>Kaffeesammler 38120332 |
|      | 10705755 | RETROFIT KIT COFFEE FUNNEL                  |   |

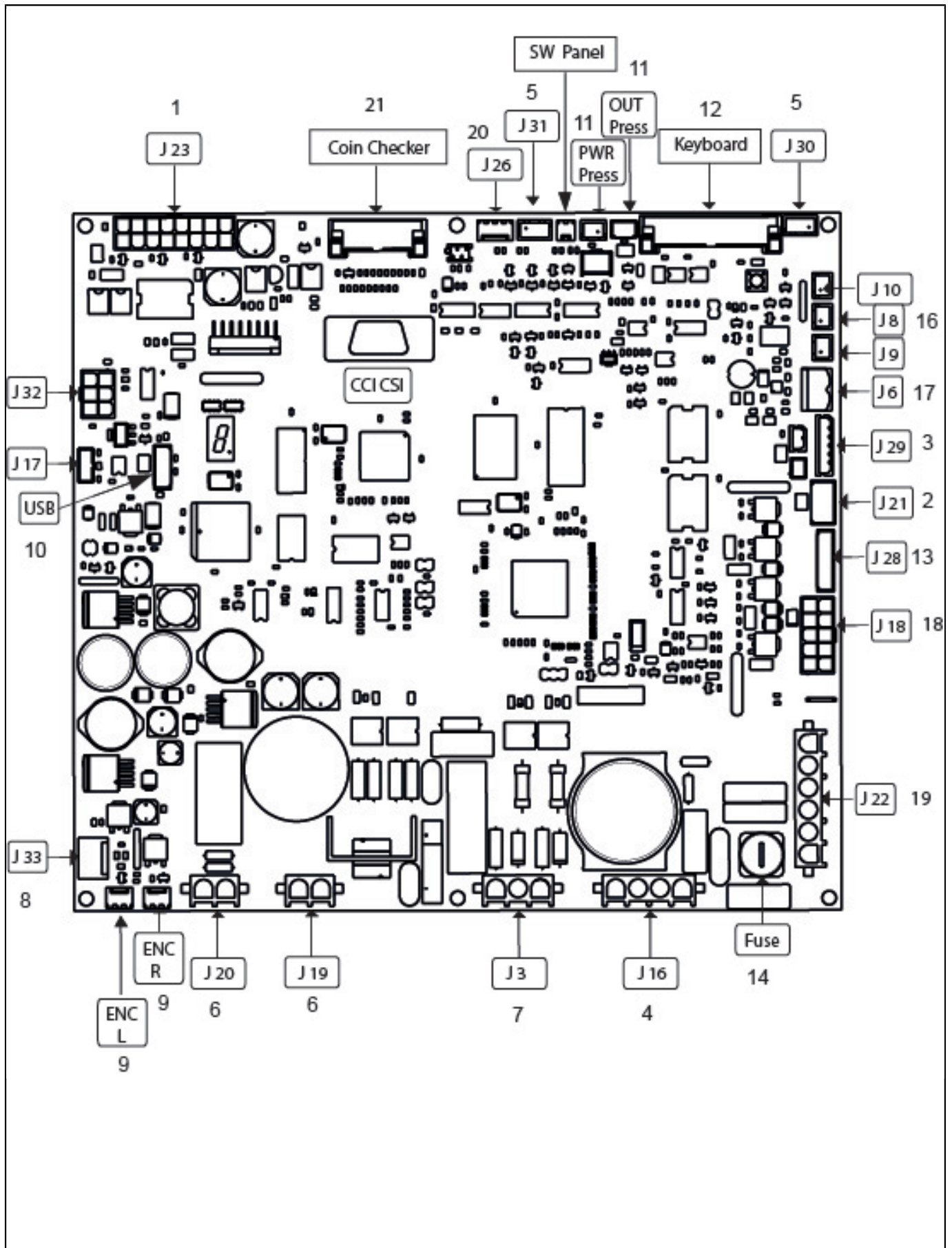


| POS. | CODE         | DESCRIPTION  | NOTES   |
|------|--------------|--|---|
| 1    | 34011023     | PUMP 120V 60Hz   |   |
|      | 34011026     | PUMP 220-230V 50Hz   |   |
|      | 34011029     | PUMP 220-230V 60HZ   |   |
|      | 34200044     | THERMAL 2MMT 120&#164;   |   |
| 2    | 69200069     | PRESSURE ADJUSTER 0,8 BAR ZERO   | pre-set 1,5 bar net connection only<br>voreingestellt auf 1,5 bar (nur bei<br>Festwasser vorhanden) |
| 3    | 34040125     | Valve inlet 2/2 24V  | net connection only   |
| 4    | 36990056     | ANTI-VIBRATING DEVICE ULKA   |   |
| 5    | 23000378     | CONNECTOR M1/8-M12   |   |
| 6    | 69200095     | BYPASS INLET VALVE ZERO  |   |
|      | 69200133     | STRAIGHT CONNECTOR D.4 X M5  |   |
| 7    | 38228072     | TEFLON HOSE FEP D. 4,0 X 2,5   |   |
| 8    | 69200139     | ELBOW CONNECTOR 4 x G1/8 PPSU  |   |
| 9    | 00044824     | CONNECTOR 3 POLES  |   |
|      | 00045715     | FLOWMETER  | net connection  |
|      | 34070053     | FLOWMETER LOW PRESSION 1,5   | tank version  |
| 10   | 00044464     | GASKET 16,5 X 13,2 X 1,5 COPPER  | net connection  |
| 11   | 69200142     | ELBOW CONNECTOR G1/4x4 PPSU  |   |
| 12   | 32551169     | PRESSURE ADJUSTER BRACKET  |   |
| 13   | 36990057     | ANTI-VIBRATING DEVICE 20 X 25 FF   |   |
| 14   | 36322005     | THREADED INSERT M5X17  |   |
| 15   | 37030509     | SCREW M5 X 10 TCB PH INOX  |   |
| 16   | 00100248.002 | REINFORCED HOSE G 3/8 X 1500MML = 150 MM                                 | net connection only   |
| 17   | 38228072     | TEFLON HOSE FEP D. 4,0 X 2,5   |   |
| 18   | 69200139     | ELBOW CONNECTOR 4 x G1/8 PPSU  |   |
| 19   | 69200187     | Y CONNECTOR D.4 PPSU   |   |
| 20   | 69200154     | ELBOW CONNECTOR 6 X G1/4 X 1,78 PPSU                                     | net connection  |
| 21   | 36901804     | DRAIN PIPE 14 X 1500   |   |
| 22   | 38228073     | TEFLON HOSE FEP D. 6 X 4   |   |
| 23   | 10705750     | RETROFIT KIT DRIP TRAY/16 ZERO   |   |
| 24   | 23000377     | ECO RACCORDO INTERMEDIO M1/4-M1/2 ZERO -OT-                              | net connection only   |
| 25   | 10700320     | TANK ASSY.   | tank version  |
|      | 36901957     | GASKET TANK ZERO   | tank version  |
|      | 38120223     | WATER TANK CONNECTION ZERO   | tank version  |
|      | 38120224     | WATER TANK VALVE ZERO  | tank version  |
|      | 39110085     | RUBBER TANK SPRING EGRO ZERO   | tank version  |
|      | 69111016     | CARTRIDGE FILTER &quot;M&quot; ZERO TANK                                 | tank version  |
|      | 69111017     | ADAPTER FOR FILTER &quot;M&quot; TO CARTRIDGE &quot;G&quot;<br>ZERO TANK | tank version  |
| 26   | 10700353     | TANK COVER ASSY. ZERO  | tank version  |
| 27   | 34020128     | LEVEL SENSOR TANK ZERO   | tank version  |
| 28   | 23000094     | NUT M10X1 FIX  |   |
|      | 23000242     | TANK CONNECTION  | tank version  |
| 29   | 37030509     | SCREW M5 X 10 TCB PH INOX  |   |
| 30   | 69200187     | Y CONNECTOR D.4 PPSU   | NMS version only  |
| 31   | 69200175     | FAST CONNECTOR PUMP ZERO   |   |
| 32   | 10700321     | WATER INLET ASSY. 110V ZERO  | only with FEP pipes   |
|      | 10700322     | WATER INLET ASSY. 230V ZERO  | only with FEP pipes solo con tubi FEP   |
|      | 10700325     | WATER TANK INLET 230V ZERO   |   |
|      | 10700356     | WATER INLET 220V 60HZ ZERO ASSY.   | only with FEP pipes   |
|      | 10701151     | RETROFIT KIT INLET SYSTEM FEP ZERO                                       |   |

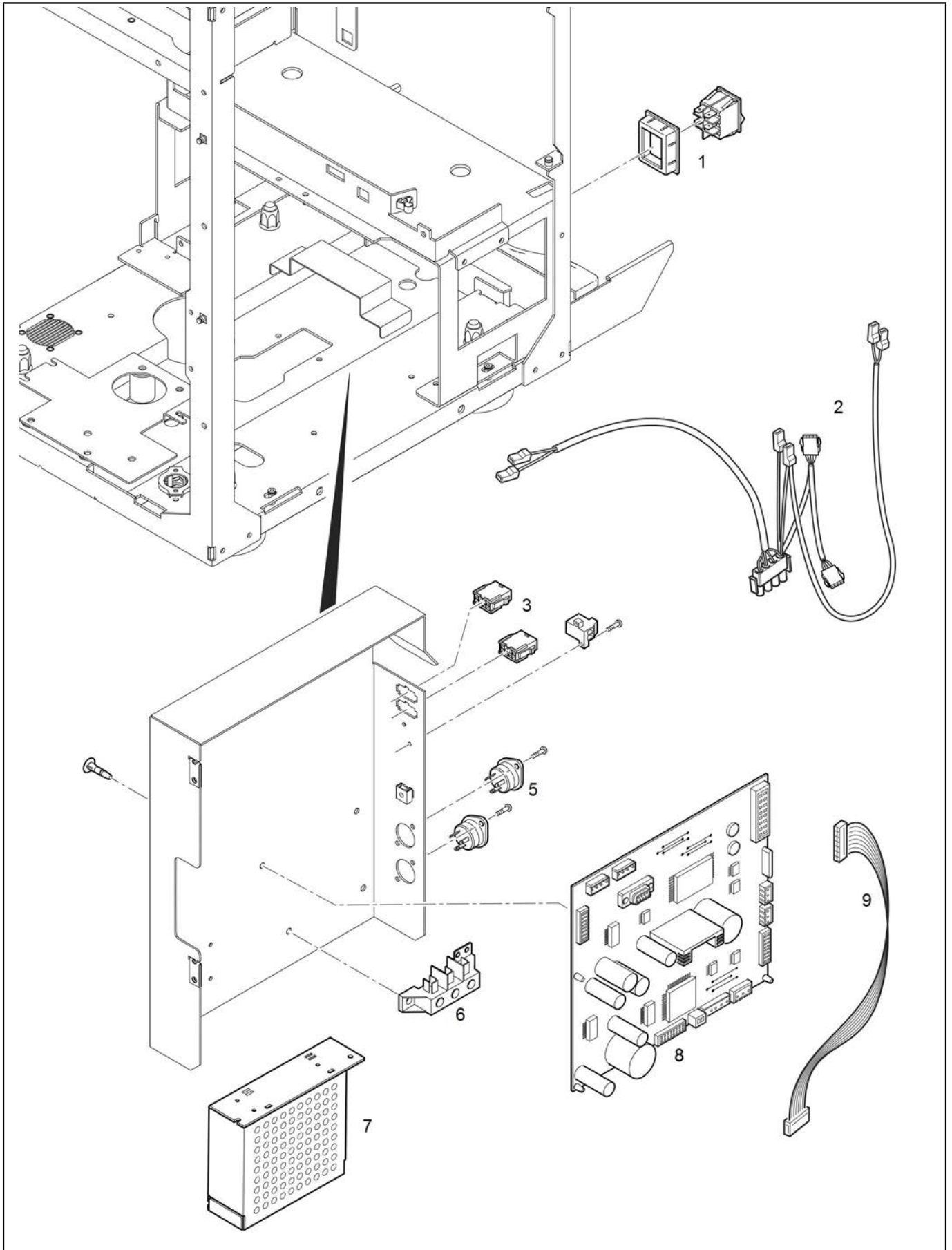




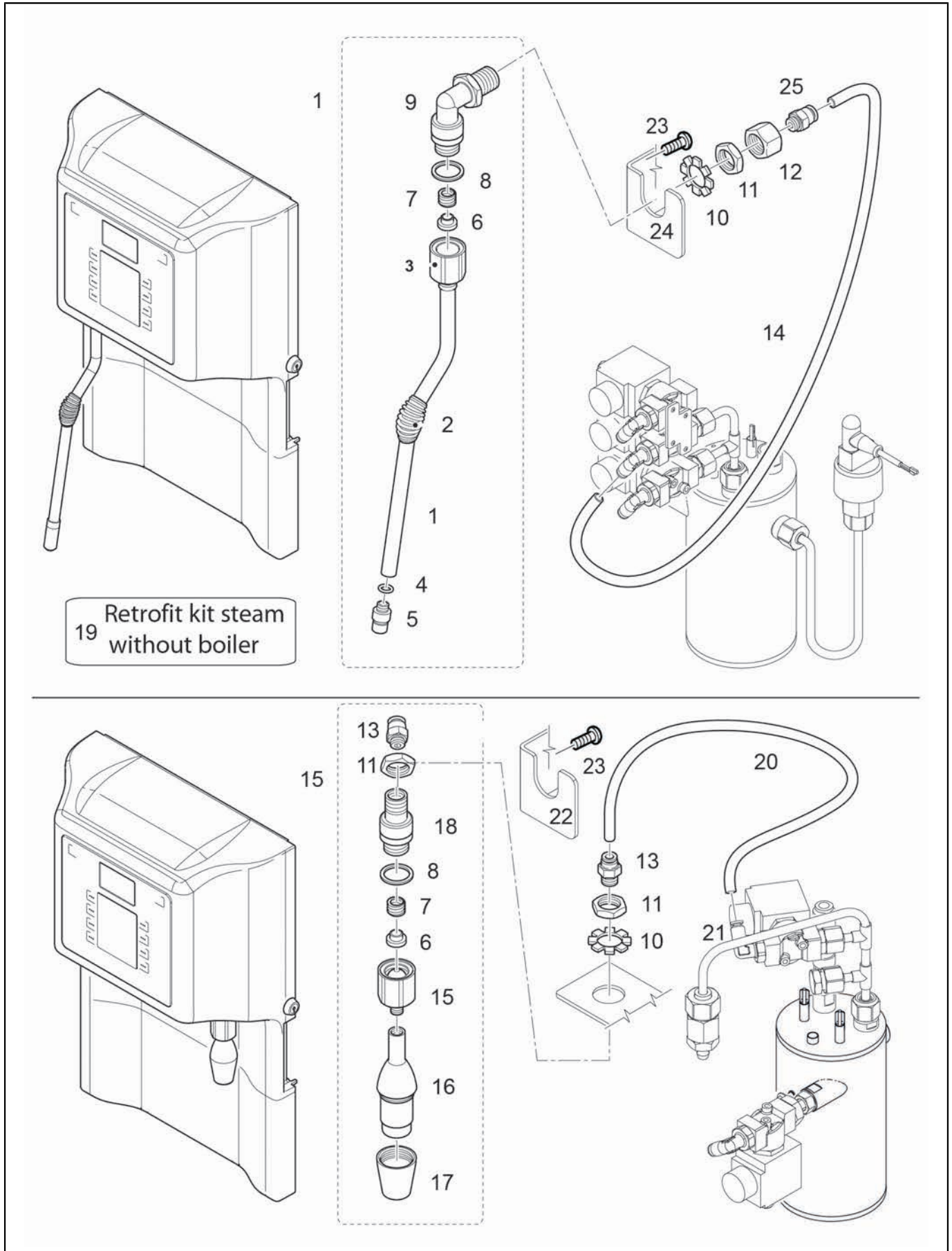
| POS. | CODE         | DESCRIPTION                                   | NOTES |
|------|--------------|---|-------|
| 1    | 10701242     | RETROFIT KIT COFFEE BOILER DHE ZERO           |       |
|      | 10701243     | RETROFIT KIT COFFEE AND STEAM BOILER DHE ZERO |       |
| 2    | 69000415     | BOILER INSULATION                             |       |
| 3    | 00100147.001 | OPERATOR KIT 3/2 WAY WATER T30 (ACL)          |       |
|      | 00100149.001 | Plunger 3/2 water T30 (ACL)                   |       |
|      | 10060607     | ELECTROVALVE COFFEE BOILER                    |       |
|      | 27350014     | COPPER GASKET 12.5X9.8X1.5                    |       |
|      | 34040184     | Valve 3/2 24V T30 (Sirai)                     |       |
| 4    | 00100559.001 | OPERATOR KIT 2/2 WAY WATER T30 (ACL)          |       |
|      | 00100560.001 | Plunger 2/2 water T30 (ACL)                   |       |
|      | 10060608     | ELECTROVALVE HOT WATER                        |       |
|      | 34040183     | Valve 2/2 24V T30 (Sirai)                     |       |
| 5    | 10046062     | PIPE EXPANSION VALVE+BOILER COFFEE            |       |
| 6    | 10042199     | PIPE VALVE-BOILER COFFEE ZERO                 |       |
| 7    | 69200142     | ELBOW CONNECTOR G1/4x4 PPSU                   |       |
| 8    | 69200139     | ELBOW CONNECTOR 4 x G1/8 PPSU                 |       |
| 9    | 00054067     | Check valve D. G 1/8                          |       |
| 10   | 27350014     | COPPER GASKET 12.5X9.8X1.5                    |       |
| 11   | 00054064     | THREADED MALE NIPPLE (USA)                    |       |
| 12   | 10701642     | TEMPERATURE SENSOR WITH O-RING                |       |
| 13   | 32331780     | THERMOSTAT FIXING BRACKET                     |       |
|      | 34200294     | CLICSON THERMOSTAT 127 ONE                    |       |
| 14   | 23000274     | CONNECTOR M1/4 X M1/4 GAS                     |       |
| 15   | 00044464     | GASKET 16,5 X 13,2 X 1,5 COPPER               |       |
|      | 10060608     | ELECTROVALVE HOT WATER                        |       |
|      | 23000289     | CLOSING PIN G1/4                              |       |
| 16   | 38228072     | TEFLON HOSE FEP D. 4,0 X 2,5                  |       |
| 17   | 00004473     | SILICON HOSE D. 14 X 9 MM                     |       |
| 18   | 00046806     | Y UNIT D. 12 MM                               |       |
| 19   | 00045714     | REDUCING T CONNECTOR D. 12 - 6 - 12 MM        |       |
| 20   | 00004474     | SILICON HOSE D. 8 X 5 MM                      |       |
| 21   | 10060009     | Gasket holder with Viton gasket               |       |
|      | 10060479     | EXPANSION VALVE 8 X G 3/8                     |       |
| 22   | 00050096     | COFFEE SPOUT WITHOUT CHECKVALVE               |       |
| 23   | 00054647     | HOT WATER SPOUT BY SELF SERVICE               |       |
| 24   | 69000244     | PIPE PUMP MANOMETER                           |       |
| 25   | 35002509     | Manometer Pumpe 0-16 D. 44                    |       |
| 26   | 00052557     | SILICON HOSE D. 18 X 12 MM                    |       |
| 27   | 23000299     | CAP G1/8 BOILER ONE/ZERO                      |       |
|      | 27350014     | COPPER GASKET 12.5X9.8X1.5                    |       |



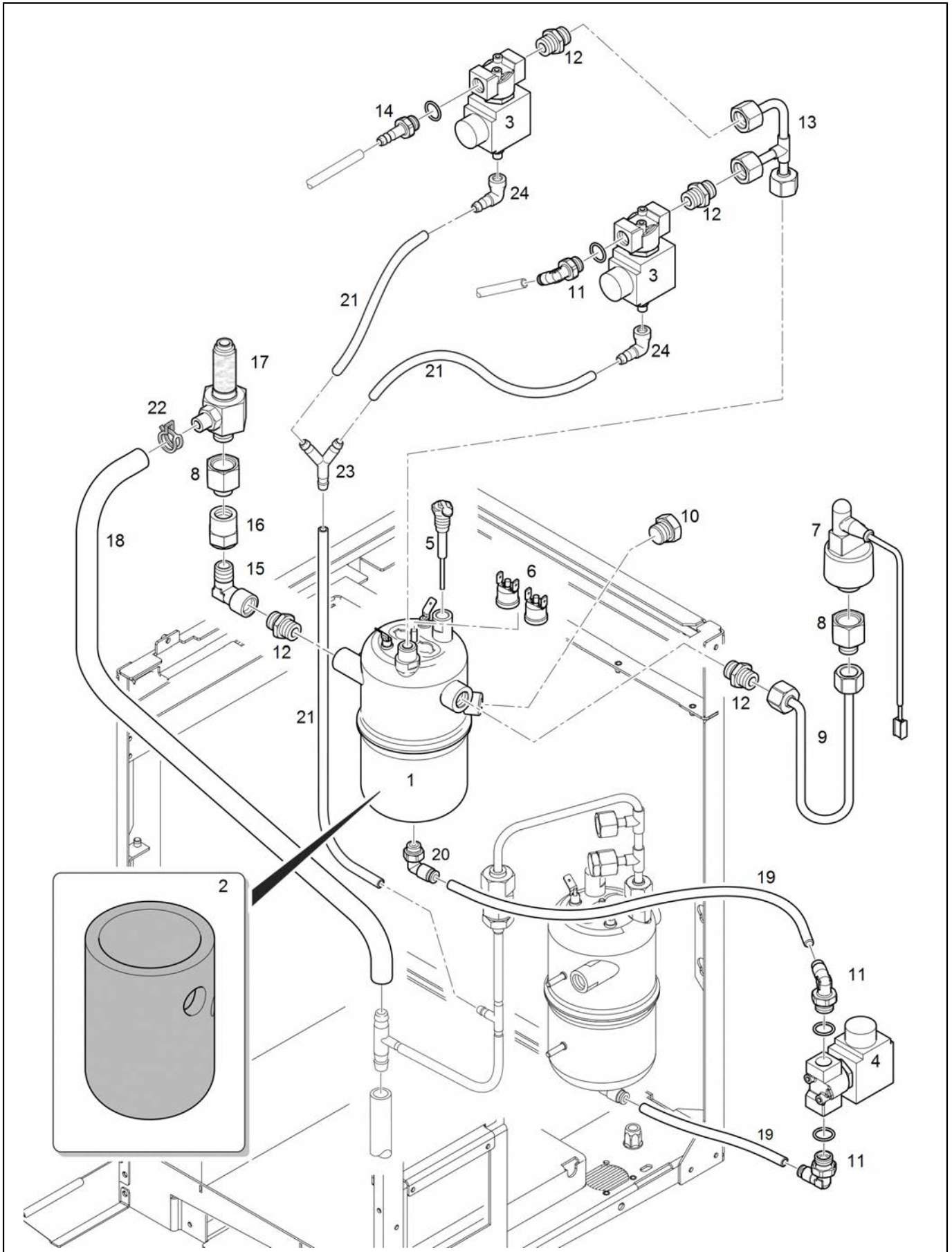
| POS. | CODE     | DESCRIPTION                            | NOTES   |
|------|----------|--|---|
| 1    | 10110775 | CABLAGGIO MOTORE-RESIST-GRUPPO ZERO    |   |
| 2    | 10110777 | Wiring Coffee boiler ZERO              | firem boiler  |
|      | 10110846 | POWER CABLE 230V EGRO ZERO DHE         |   |
|      | 10110870 | POWER CABLE 110V ZERO DHE              |   |
| 3    | 10110778 | STEAM BOILER CABLE EGRO ZERO           |   |
|      | 10110845 | STEAM POWER CABLE 230V EGRO ZERO DHE   |   |
| 4    | 10110846 | POWER CABLE 230V EGRO ZERO DHE         |   |
|      | 10110870 | POWER CABLE 110V ZERO DHE              |   |
| 5    | 10110781 | MICRO CABLE EGRO ZERO                  |   |
| 6    | 10110785 | WIRING GRINDER EGRO ZERO               | 110V & 230V   |
| 7    | 10110780 | POWDER UNIT CABLE EGRO ZERO            |   |
|      | 10110787 | STEAM POWER WIRING ZERO                |   |
|      | 10110845 | STEAM POWER CABLE 230V EGRO ZERO DHE   |   |
|      | 10110869 | STEAM POWER CABLE 110V ZERO DHE        |   |
| 8    | 10110774 | WIRING SWITCHING ZERO                  |   |
| 9    | 10110784 | CABLAGGIO ENCODER ZERO                 |   |
| 10   | 10110782 | USB EXTENSION CABLE EGRO ZERO          |   |
|      | 10110784 | CABLAGGIO ENCODER ZERO                 |   |
| 11   | 10120004 | CABLE PRESSURE PROBE                   |   |
|      | 34200288 | PRESSURE SENSOR                        |   |
| 12   | 10110789 | KEYBOARD WIRING                        |   |
| 13   | 10110779 | MILK SYSTEM WIRING ZERO                |   |
|      | 10110820 | WIRING EGRO ZERO NMS                   |   |
| 14   | 10110841 | CABLE GRINDER FUSE 110V ZERO           |   |
|      | 10110842 | GRINDER FUSE CABLE 230V EGRO ZERO      |   |
| 15   | 10120010 | CABLAGGIO 24V PUMP-ZERO PLUS           |   |
| 16   | 10110771 | WIRING MOTOR CPU POWDER MODULE         |   |
|      | 10110840 | WIRING BYPASS ZERO                     | for bypass (Y20)retrofit connect to J8 / für<br>Bypass nachrüstung anschliessen an J8 |
| 17   | 10110775 | CABLAGGIO MOTORE-RESIST-GRUPPO ZERO    |   |
| 18   | 10110780 | POWDER UNIT CABLE EGRO ZERO            |   |
| 21   | 10110001 | FLAT CABLE PAY SYSTEM MACHINE 16 POLES |   |



| POS. | CODE     | DESCRIPTION                         | NOTES                      |
|------|----------|-------------------------------------|----------------------------|
| 1    | 34030079 | SWITCH BLACK 0-1                    |                            |
|      | 38120207 | SWITCH BRACKET ZERO                 |                            |
| 2    | 10110780 | POWDER UNIT CABLE EGRO ZERO         |                            |
|      | 10110781 | MICRO CABLE EGRO ZERO               |                            |
|      | 10110785 | WIRING GRINDER EGRO ZERO            |                            |
|      | 10110786 | POWER WIRING ZERO                   |                            |
|      | 10110787 | STEAM POWER WIRING ZERO             |                            |
| 3    | 10110775 | CABLAGGIO MOTORE-RESIST-GRUPPO ZERO |                            |
| 5    | 10701053 | KIT TRIAC ZERO                      |                            |
| 6    | 34150023 | CLAMP 3 POL.                        |                            |
| 7    | 10110774 | WIRING SWITCHING ZERO               |                            |
|      | 34070314 | POWER SUPPLY 24V 100W               | only for Zero and Zero NMS |
| 8    | 10701052 | CONTROL BOARD ZERO                  |                            |
| 9    | 10110789 | KEYBOARD WIRING                     |                            |
| 2    | 10110782 | USB EXTENSION CABLE EGRO ZERO       |                            |



| POS. | CODE         | DESCRIPTION                         | NOTES |
|------|--------------|-------------------------------------|-------|
| 1    | 10701039     | STEAM WAND ZERO ASSY.               |       |
| 2    | 36990004     | RUBBER FOR STEAM PIPES              |       |
| 3    | 23000339     | NUT CONNECTION WAND INOX            |       |
| 4    | 36301050     | O-RING 6.4X1.9                      |       |
| 5    | 23000115     | STEAM SPRAYER SILVIA                |       |
|      | 25111006     | STEAM NOZZLE                        |       |
| 6    | 36930016     | GASKET TEFLON CONNECTION STEAM WAND |       |
| 7    | 39110038     | SPRING CONNECTION STEAM TAP         |       |
| 8    | 36930017     | TEFLON GASKET FOR STEAM WAND NUT    |       |
| 9    | 20200113     | HOT WATER CONNECTION BRASS          |       |
| 10   | 37431600     | OUTER TOOTHED WASHER D16            |       |
| 11   | 26220005     | FLAT NUT 3/8                        |       |
| 12   | 00100855.001 | SLEEVE                              |       |
| 13   | 69200134     | STRAIGHT CONNECTOR G1/8 X 4         |       |
| 14   | 38228073     | TEFLON HOSE FEP D. 6 X 4            |       |
| 15   | 10701040     | WATER WAND ZERO ASSY.               |       |
|      | 10701100     | WATER WAND ZERO ASSY. RIGHT         |       |
|      | 23000144     | EXTENSION INOX M10 X 23MM           |       |
|      | 25128014     | EXTENSION INOX M10 X 76MM           |       |
|      | 25128015     | EXTENTION INOX M10 X 59MM           |       |
| 16   | 10049120     | WATER WAND ZERO                     |       |
| 17   | 25135018     | LOWER PART WATER SPRAYER            |       |
| 18   | 20200113     | HOT WATER CONNECTION BRASS          |       |
|      | 23000300     | WATER WAND RIGHT CONNECTION ZERO    |       |
| 20   | 38228072     | TEFLON HOSE FEP D. 4,0 X 2,5        |       |
| 21   | 69200142     | ELBOW CONNECTOR G1/4x4 PPSU         |       |
| 22   | 32551281     | BRACKET WATER SPOUT                 |       |
| 23   | 00001518     | KEPS NUT M4                         |       |
|      | 37040510     | SCREWM5 X 10MM                      |       |
| 24   | 32551174     | STEAM BRACKET ZERO                  |       |
| 25   | 69200135     | STRAIGHT CONNECTOR G1/8 X 6         |       |





| POS. | CODE                                     | DESCRIPTION   | NOTES |
|------|--|---|-------|
| 1    | 10701243                                 | RETROFIT KIT COFFEE AND STEAM BOILER DHE ZERO   |       |
| 2    | 69000415                                 | BOILER INSULATION   |       |
| 3    | 00100016.005<br>00100116.005<br>34040184 | Plunger 3/2 steam T30 (ACL)<br>OPERATOR KIT 3/2 WAYS STEAM (ACL) T30<br>Valve 3/2 24V T30 (Sirai) |       |
| 4    | 00100559.001<br>00100560.001<br>34040183 | OPERATOR KIT 2/2 WAY WATER T30 (ACL)<br>Plunger 2/2 water T30 (ACL)<br>Valve 2/2 24V T30 (Sirai)  |       |
| 5    | 34200068                                 | LEVEL PROBE ASSEMBLY 70   |       |
| 6    | 32331780<br>34200101                     | THERMOSTAT FIXING BRACKET<br>THERMOSTAT 140 STEAM BOILER  |       |
| 7    | 34200288                                 | PRESSURE SENSOR   |       |
| 8    | 00100869.001<br>23000077                 | ADAPTER NIPPLE D. G 1/4 X 3/8<br>EXTENSION CONNECTOR PRESSION TRANSDUCER                          |       |
| 9    | 10042103                                 | PIPE 6X4X240 F1/4-F1/4  |       |
| 10   | 23000289                                 | CLOSING PIN G1/4  |       |
| 11   | 69200142                                 | ELBOW CONNECTOR G1/4x4 PPSU   |       |
| 12   | 00048923                                 | DOUBLE NIPPLE G 1/4 X G 1/4   |       |
| 13   | 10042200                                 | PIPE EXPANSION VALVE-SAFETY VALVE ZERO  |       |
| 14   | 23000316                                 | CONNECTOR FOR SILICON PIPE 5mm x G1/4   |       |
| 15   | 00018843                                 | ADJUSTABLE ELBOWG 1/4 X D. 8MM  |       |
| 16   | 23000239                                 | CONNECTOR F1/4-F1/4   |       |
| 17   | 00039067<br>00045682                     | RELIEF VALVE, STEAM<br>SPLASH GUARD-HOSE D. 16,0 X 45,0   |       |
| 18   | 00052557                                 | SILICON HOSE D. 18 X 12 MM  |       |
| 19   | 38228075                                 | TEFLON HOSE 4 X 2 FDA   |       |
| 20   | 69200139                                 | ELBOW CONNECTOR 4 x G1/8 PPSU   |       |
| 21   | 00004474                                 | SILICON HOSE D. 8 X 5 MM  |       |
| 22   | 00055795                                 | WIRE HOSE CLAMP 17,3 MM   |       |
| 23   | 00055748                                 | Y UNIT D. 6 MM  |       |
| 24   | 38121034                                 | PIPE CONNECTOR EP5  |       |

| Code         | No. table | Pos. | Code     | No. table | Pos. | Code     | No. table | Pos. |
|--------------|-----------|------|----------|-----------|------|----------|-----------|------|
| 00000928     | 2001      | 21   | 10054002 | 2001      | 37   | 10700325 | 2003      | 32   |
| 00000930     | 2001      | 12   | 10060009 | 2000      | 21   | 10700353 | 2003      | 26   |
| 00000935     | 2001      | 40   | 10060479 | 2000      | 21   | 10700356 | 2003      | 32   |
| 00001065     | 2002      | 14   | 10060607 | 2000      | 3    | 10701035 | 1001      | 16   |
| 00001176     | 2001      | 4    | 10060608 | 2000      | 15   | 10701036 | 2001      | 36   |
| 00001517     | 1001      | 7    | 10060608 | 2000      | 4    | 10701037 | 2002      | 15   |
| 00001518     | 5000      | 23   | 10110001 | Z3001     | 21   | 10701038 | 2002      | 15   |
| 00001521     | 2001      | 24   | 10110771 | Z3001     | 16   | 10701039 | 5000      | 1    |
| 00004473     | 2000      | 17   | 10110774 | 3000      | 7    | 10701040 | 5000      | 15   |
| 00004474     | 2000      | 20   | 10110774 | Z3001     | 8    | 10701050 | 2001      | 11   |
| 00004474     | 5002      | 21   | 10110775 | 3000      | 3    | 10701051 | 2001      | 1    |
| 00017719     | 1001      | 7    | 10110775 | Z3001     | 1    | 10701052 | 3000      | 8    |
| 00018843     | 5002      | 15   | 10110775 | Z3001     | 17   | 10701053 | 3000      | 5    |
| 00039064     | 2001      | 8    | 10110777 | Z3001     | 2    | 10701100 | 5000      | 15   |
| 00039067     | 5002      | 17   | 10110778 | Z3001     | 3    | 10701145 | 1001      | 6    |
| 00040706     | 1001      | 7    | 10110779 | Z3001     | 13   | 10701151 | 2003      | 32   |
| 00044464     | 2000      | 15   | 10110780 | 3000      | 2    | 10701242 | 2000      | 1    |
| 00044464     | 2003      | 10   | 10110780 | Z3001     | 18   | 10701243 | 2000      | 1    |
| 00044824     | 2003      | 9    | 10110780 | Z3001     | 7    | 10701243 | 5002      | 1    |
| 00045032     | 2001      | 18   | 10110781 | 3000      | 2    | 10701274 | 1001      | 9    |
| 00045682     | 5002      | 17   | 10110781 | Z3001     | 5    | 10701347 | 2002      | 1    |
| 00045714     | 2000      | 19   | 10110782 | 3000      | 2    | 10701642 | 2000      | 12   |
| 00045715     | 2003      | 9    | 10110782 | Z3001     | 10   | 10705529 | 1000      | 7    |
| 00046806     | 2000      | 18   | 10110784 | Z3001     | 10   | 10705529 | 1001      | 13   |
| 00046844     | 1000      | 13   | 10110784 | Z3001     | 9    | 10705529 | 2002      | 4    |
| 00046844     | 2001      | 28   | 10110785 | 3000      | 2    | 10705690 | 1001      | 2    |
| 00046844     | 2002      | 10   | 10110785 | Z3001     | 6    | 10705698 | 1000      | 6    |
| 00047077     | 1001      | 8    | 10110786 | 3000      | 2    | 10705708 | 1000      | 6    |
| 00047078     | 1001      | 8    | 10110787 | 3000      | 2    | 10705750 | 1000      | 3    |
| 00048354     | 1001      | 7    | 10110787 | Z3001     | 7    | 10705750 | 2003      | 23   |
| 00048548     | 2001      | 13   | 10110789 | 3000      | 9    | 10705755 | 2002      | 16   |
| 00048550     | 2001      | 23   | 10110789 | Z3001     | 12   | 10705755 | 2002      | 16   |
| 00048747     | 2001      | 30   | 10110820 | Z3001     | 13   | 10705755 | 2002      | 18   |
| 00048923     | 5002      | 12   | 10110840 | Z3001     | 16   | 10705755 | 2002      | 18   |
| 00050096     | 2000      | 22   | 10110841 | Z3001     | 14   | 10781312 | 1000      | 4    |
| 00052557     | 2000      | 26   | 10110842 | Z3001     | 14   | 10880306 | 1000      | 14   |
| 00052557     | 5002      | 18   | 10110845 | Z3001     | 3    | 10905151 | 1001      | 5    |
| 00054064     | 2000      | 11   | 10110845 | Z3001     | 7    | 20200113 | 5000      | 18   |
| 00054067     | 2000      | 9    | 10110846 | Z3001     | 2    | 20200113 | 5000      | 9    |
| 00054647     | 2000      | 23   | 10110846 | Z3001     | 4    | 23000077 | 5002      | 8    |
| 00054861     | 2001      | 6    | 10110869 | Z3001     | 7    | 23000094 | 2003      | 28   |
| 00054944     | 1001      | 7    | 10110870 | Z3001     | 2    | 23000115 | 5000      | 5    |
| 00055483     | 1001      | 7    | 10110870 | Z3001     | 4    | 23000144 | 5000      | 15   |
| 00055748     | 5002      | 23   | 10120004 | Z3001     | 11   | 23000223 | 1001      | 16   |
| 00055795     | 5002      | 22   | 10120010 | Z3001     | 15   | 23000239 | 5002      | 16   |
| 00057446     | 2001      | 41   | 10700176 | 2001      | 3    | 23000242 | 2003      | 28   |
| 00060116     | 2001      | 5    | 10700177 | 2001      | 2    | 23000274 | 2000      | 14   |
| 00060283     | 2001      | 17   | 10700178 | 2001      | 33   | 23000289 | 2000      | 15   |
| 00060858     | 2001      | 27   | 10700303 | 1001      | 1    | 23000289 | 5002      | 10   |
| 00100016.005 | 5002      | 3    | 10700304 | 1001      | 1    | 23000299 | 2000      | 27   |
| 00100116.005 | 5002      | 3    | 10700305 | 2002      | 11   | 23000300 | 5000      | 18   |
| 00100136.001 | 2001      | 7    | 10700306 | 2002      | 11   | 23000306 | 1000      | 20   |
| 00100147.001 | 2000      | 3    | 10700307 | 2002      | 11   | 23000316 | 5002      | 14   |
| 00100149.001 | 2000      | 3    | 10700308 | 2002      | 11   | 23000339 | 5000      | 3    |
| 00100248.002 | 2003      | 16   | 10700309 | 1001      | 14   | 23000377 | 2003      | 24   |
| 00100506.001 | 2001      | 9    | 10700312 | 1001      | 1    | 23000378 | 2003      | 5    |
| 00100559.001 | 2000      | 4    | 10700313 | 1000      | 12   | 24300010 | 2001      | 32   |
| 00100559.001 | 5002      | 4    | 10700313 | 2002      | 9    | 25111006 | 5000      | 5    |
| 00100560.001 | 2000      | 4    | 10700314 | 1000      | 12   | 25128014 | 5000      | 15   |
| 00100560.001 | 5002      | 4    | 10700314 | 2002      | 9    | 25128015 | 5000      | 15   |
| 00100855.001 | 5000      | 12   | 10700315 | 1000      | 12   | 25135018 | 5000      | 17   |
| 00100869.001 | 5002      | 8    | 10700316 | 1000      | 12   | 26220005 | 5000      | 11   |
| 10042103     | 5002      | 9    | 10700317 | 1000      | 12   | 27350014 | 2000      | 10   |
| 10042199     | 2000      | 6    | 10700319 | 1001      | 1    | 27350014 | 2000      | 27   |
| 10042200     | 5002      | 13   | 10700320 | 2003      | 25   | 27350014 | 2000      | 3    |
| 10046062     | 2000      | 5    | 10700321 | 2003      | 32   | 30001048 | 2001      | 19   |
| 10049120     | 5000      | 16   | 10700322 | 2003      | 32   | 32331407 | 1001      | 6    |

| Code      | No. table | Pos. |
|-----------|-----------|------|
| 32331443  | 2001      | 20   |
| 32331489  | 1000      | 4    |
| 32331498  | 2001      | 14   |
| 32331780  | 2000      | 13   |
| 32331780  | 5002      | 6    |
| 32331910  | 2002      | 3    |
| 32551162A | 1000      | 1    |
| 32551163A | 1000      | 2    |
| 32551169  | 2003      | 12   |
| 32551174  | 5000      | 24   |
| 32551187  | 1001      | 12   |
| 32551190  | 1000      | 14   |
| 32551281  | 5000      | 22   |
| 32551291  | 1000      | 21   |
| 34011023  | 2003      | 1    |
| 34011026  | 2003      | 1    |
| 34011029  | 2003      | 1    |
| 34020125  | 2001      | 35   |
| 34020128  | 2003      | 27   |
| 34020129  | 1000      | 3    |
| 34030079  | 3000      | 1    |
| 34040125  | 2003      | 3    |
| 34040183  | 2000      | 4    |
| 34040183  | 5002      | 4    |
| 34040184  | 2000      | 3    |
| 34040184  | 5002      | 3    |
| 34070053  | 2003      | 9    |
| 34070314  | 3000      | 7    |
| 34150023  | 3000      | 6    |
| 34200044  | 2003      | 1    |
| 34200068  | 5002      | 5    |
| 34200071  | 2001      | 39   |
| 34200101  | 5002      | 6    |
| 34200212  | 1001      | 16   |
| 34200288  | 5002      | 7    |
| 34200288  | Z3001     | 11   |
| 34200294  | 2000      | 13   |
| 35002509  | 2000      | 25   |
| 36301050  | 5000      | 4    |
| 36322005  | 2003      | 14   |
| 36404059  | 1000      | 17   |
| 36901804  | 2003      | 21   |
| 36901957  | 2003      | 25   |
| 36930016  | 5000      | 6    |
| 36930017  | 5000      | 8    |
| 36930018  | 1001      | 16   |
| 36930101  | 1001      | 7    |
| 36930102  | 1001      | 7    |
| 36930110  | 2001      | 10   |
| 36930111  | 2001      | 22   |
| 36990004  | 5000      | 2    |
| 36990034  | 2002      | 7    |
| 36990037  | 1000      | 18   |
| 36990056  | 2003      | 4    |
| 36990057  | 2003      | 13   |
| 37030509  | 2003      | 15   |
| 37030509  | 2003      | 29   |
| 37040409  | 2001      | 26   |
| 37040409  | 2001      | 40   |
| 37040510  | 5000      | 23   |
| 37060306  | 2001      | 38   |
| 37113508  | 2002      | 6    |
| 37113535  | 1001      | 10   |
| 37155011  | 2001      | 25   |
| 37410300  | 2002      | 6    |
| 37420300  | 2001      | 38   |
| 37431600  | 5000      | 10   |

| Code     | No. table | Pos. |
|----------|-----------|------|
| 37900115 | 1001      | 17   |
| 38120115 | 2001      | 31   |
| 38120119 | 2001      | 30   |
| 38120120 | 2001      | 29   |
| 38120192 | 2002      | 2    |
| 38120193 | 1001      | 11   |
| 38120205 | 1000      | 9    |
| 38120207 | 3000      | 1    |
| 38120212 | 1000      | 22   |
| 38120213 | 1001      | 15   |
| 38120217 | 2002      | 8    |
| 38120223 | 2003      | 25   |
| 38120224 | 2003      | 25   |
| 38120253 | 1000      | 19   |
| 38120254 | 1000      | 19   |
| 38120591 | 1000      | 5    |
| 38121034 | 5002      | 24   |
| 38123568 | 1000      | 10   |
| 38123852 | 1000      | 11   |
| 38221020 | 1000      | 16   |
| 38228072 | 2000      | 16   |
| 38228072 | 2001      | 15   |
| 38228072 | 2003      | 17   |
| 38228072 | 2003      | 7    |
| 38228072 | 5000      | 20   |
| 38228073 | 2003      | 22   |
| 38228073 | 5000      | 14   |
| 38228075 | 5002      | 19   |
| 39110026 | 2001      | 34   |
| 39110038 | 5000      | 7    |
| 39110062 | 1001      | 16   |
| 39110062 | 1001      | 18   |
| 39110085 | 2003      | 25   |
| 39920017 | 2002      | 13   |
| 45010208 | 1001      | 4    |
| 45010209 | 1000      | 15   |
| 69000244 | 2000      | 24   |
| 69000337 | 1000      | 8    |
| 69000337 | 1001      | 13   |
| 69000337 | 2002      | 5    |
| 69000415 | 2000      | 2    |
| 69000415 | 5002      | 2    |
| 69111016 | 2003      | 25   |
| 69111017 | 2003      | 25   |
| 69140036 | 2002      | 12   |
| 69140039 | 2002      | 17   |
| 69200069 | 2003      | 2    |
| 69200095 | 2003      | 6    |
| 69200133 | 2001      | 16   |
| 69200133 | 2003      | 6    |
| 69200134 | 5000      | 13   |
| 69200135 | 5000      | 25   |
| 69200139 | 2000      | 8    |
| 69200139 | 2003      | 18   |
| 69200139 | 2003      | 8    |
| 69200139 | 5002      | 20   |
| 69200142 | 2000      | 7    |
| 69200142 | 2003      | 11   |
| 69200142 | 5000      | 21   |
| 69200142 | 5002      | 11   |
| 69200154 | 2003      | 20   |
| 69200175 | 2003      | 31   |
| 69200187 | 2003      | 19   |
| 69200187 | 2003      | 30   |

## Contacts

### HEADQUARTERS, PRODUCTION PLANT AND R&D CENTERS

**Rancilio Group s.p.a.**  
Viale della Repubblica 40  
20010 Villastanza di Parabiago  
Milano - Italy  
Tel +39 0331 408200  
Fax +39 0331 551437  
www.ranciliogroup.com  
info@ranciliogroup.com

**Egro Suisse AG**  
Bahnhofstrasse 66  
5605 Dottikon - Switzerland  
Tel. +41 (0)56 616 95 95  
Fax +41 (0)56 616 95 97  
www.egrocoffee.com  
info@egrocoffee.com

### WORLDWIDE BRANCH LOCATIONS

#### SPAIN

RancilioGroup Espana, s.a.  
Gran Via de Carlos III, 84 3ª  
Edificio Trade  
08028 Barcelona - Spain  
Ph. +34 902 884 275  
Ph. +34 934 923 414  
Fax +34 934 965 701  
www.ranciliogroup.com  
info-es@ranciliogroup.com

#### PORTUGAL

Rancilio Group Portugal Lda  
Estrada da Falagueira nº 68 E  
2700-365 Amadora-Lisboa - Portugal  
Ph. + 351 21 019 10 91  
Fax + 351 21 019 10 91  
  
Rua Nova do Seixo 1282  
4465-706 Leca do Balio-Porto - Portugal  
Ph. + 351 22 010 14 19  
Fax + 351 22 010 14 19  
www.ranciliogroup.com  
info-pt@ranciliogroup.com

#### GERMANY

Rancilio Group Deutschland GmbH  
Talstrasse 27  
97990 Weikersheim - Germany  
Ph. +49 7934 99 29 30  
Fax +49 7934 99 29 330  
www.ranciliogroup.de  
info-de@ranciliogroup.com

#### SWITZERLAND

Egro Suisse AG  
Bahnhofstrasse 66  
5605 Dottikon - Switzerland  
Tel. +41 (0)56 616 95 95  
Fax +41 (0)56 616 95 97  
www.egrosuisse.ch  
info@egrosuisse.ch

#### USA/CANADA

RancilioGroup North America Inc.  
1340 Internationale Parkway / Suite  
200  
Woodridge, IL 60517 - U.S.A.  
Ph: +1 630 914 7900  
Fax: +1 630 914 7901  
Toll Free: +1 877 726 2454  
www.ranciliogroup.com  
info@ranciliogroupna.com

